

TM-150 Support Brace Dampened Lift



Characteristic

Support brace with steady reaction by its long compressive stroke.

Application

Office automation appliances /
Medical instruments /
Machine tools, etc.

Note

1. Do not disassemble and keep away from fire.
2. Do not apply bending load.
3. Use proper brace according to its capacity.
4. Piston rod should be installed downward.
5. Avoid using the brace where rain or water splash or where dust lies.
6. Stopper or auxiliary bar should be set in case the door is kept open for a long time.
7. Do not apply any shock on the brace to prevent any cut or bend of the piston.
8. Piston rod should be kept away from any foreign matter, such as paint or vinyl.
9. In case of malfunction, stop using it and contact the maker or supplier.
10. Piston rod and cylinder should not be rotated when the brace is fully extended.
Piston rod should be compressed when rotating.

Specification TM-150

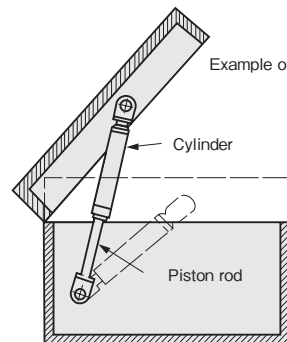
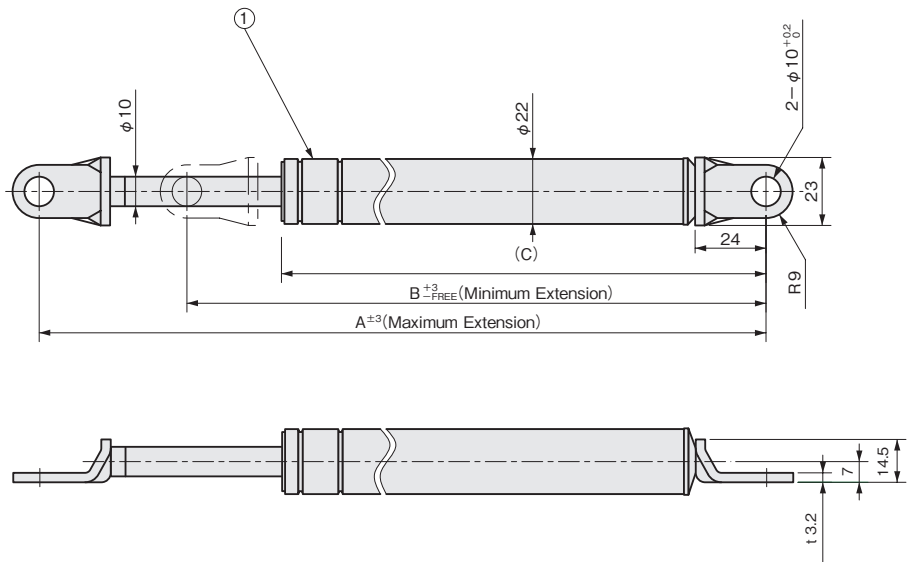
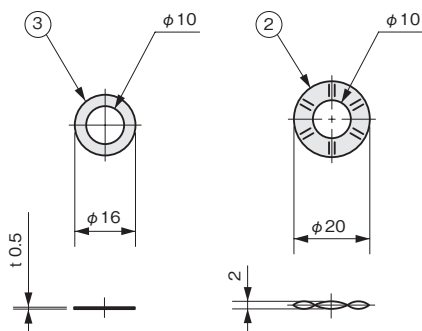
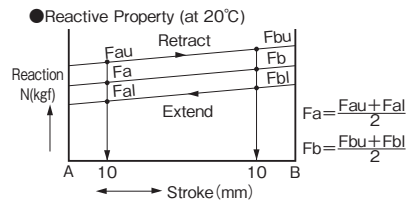
Model No.	A	B	C	Reaction N (kgf)	Reactive Property		Net Weight (g)	Code No.
					Fa N (kgf)	Fb N (kgf)		
TM-150-100-20	386	286	253	196.1(20)	196.1±20(20±2)	274.6(28)	306.4	5651
TM-150-100-40				392.3(40)	392.3±30(40±3)	546.2(55.7)	303.2	5654
TM-150-150-20	526	376	343	196.1(20)	196.1±20(20±2)	268.7(27.4)	388.0	5661
TM-150-150-40				392.3(40)	392.3±30(40±3)	535.4(54.6)	394.4	5664
TM-150-200-20	666	466	433	196.1(20)	196.1±20(20±2)	268.7(27.4)	485.6	5671
TM-150-200-40				392.3(40)	392.3±30(40±3)	533.5(55.4)	484.4	5674

Parts List

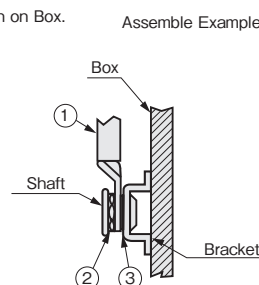
No.	Part Name	Material	Finish	Quantity
1	Body	—	Flattening Paint (Black)	1
2	Wave Washer	SUS304	—	2
3	Washer	PA	—	2

General Property

Permissible Temp.	-20°C~80°C
Durability	30,000 and more
Tensile Strength	4.91kN (500kgf) and more



Example of Installation on Box.



Assemble Example