

# R7 Series



## Features

- No UV light
- Low Power Consumption
- Long Life
- Excellent thermal performance

## Applications

- Entertainment lighting
- Architectural lighting
- Interior Commercial lighting
- Residential / Offices / Hotels / Restaurants lighting
- Art galleries / Indoor / General

## Absolute Maximum Ratings

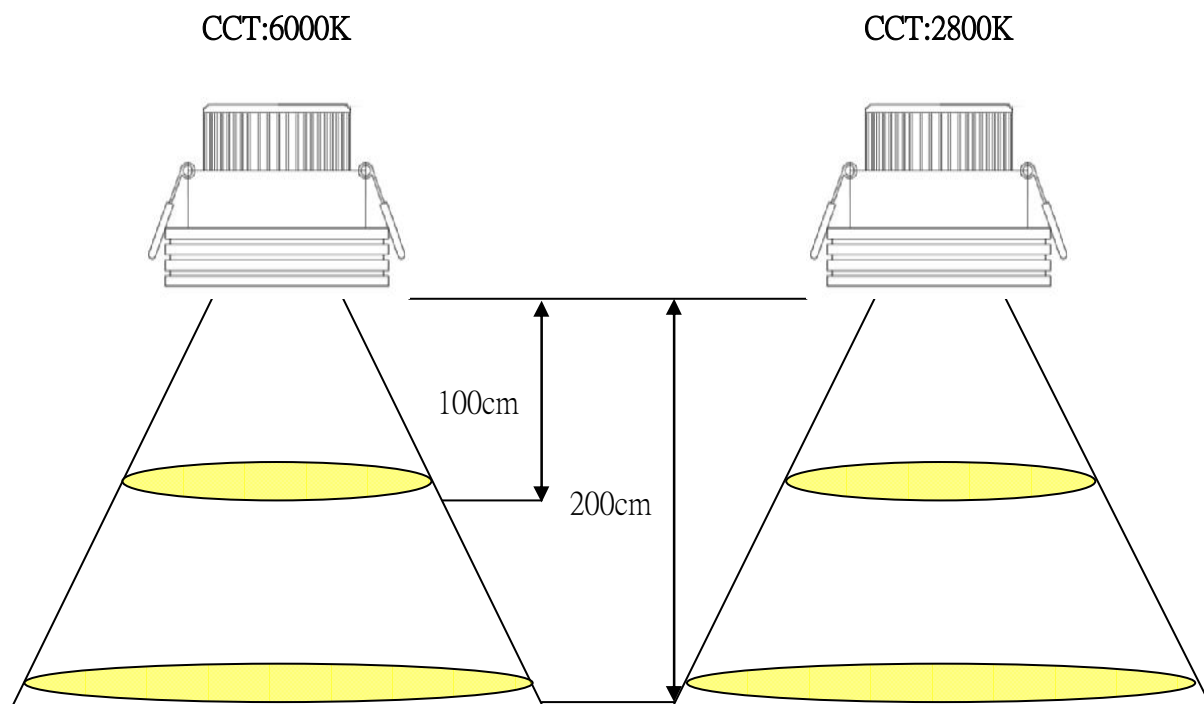
Parameter	Symbol	Rating	Unit
Input Voltage	$V_{rms}$	100Vac~240Vac	V
LED Junction Temperature	$T_j$	125	°C
Luminous Flux	$\Phi V$	560	lm
Operating Temperature	$T_{opr}$	-30 ~ 50	°C
Storage Temperature	$T_{stg}$	-30 ~ 80	°C
Heatsink Temperature (30°C)	$T_h$	60	°C

## Product Nomenclature

R7 - 7 NW A  
a b c d

<u>a</u> Item		<u>b</u> Power		<u>c</u> Color		<u>d</u> Angle	
Code	Type	Code	Type	Code	Type	Code	Type
R7	R7	7	7W	NW	Neutral White	A	15°
				WW	Warm White	B	30°
						C	60°
						D	120°

## Optical Performance



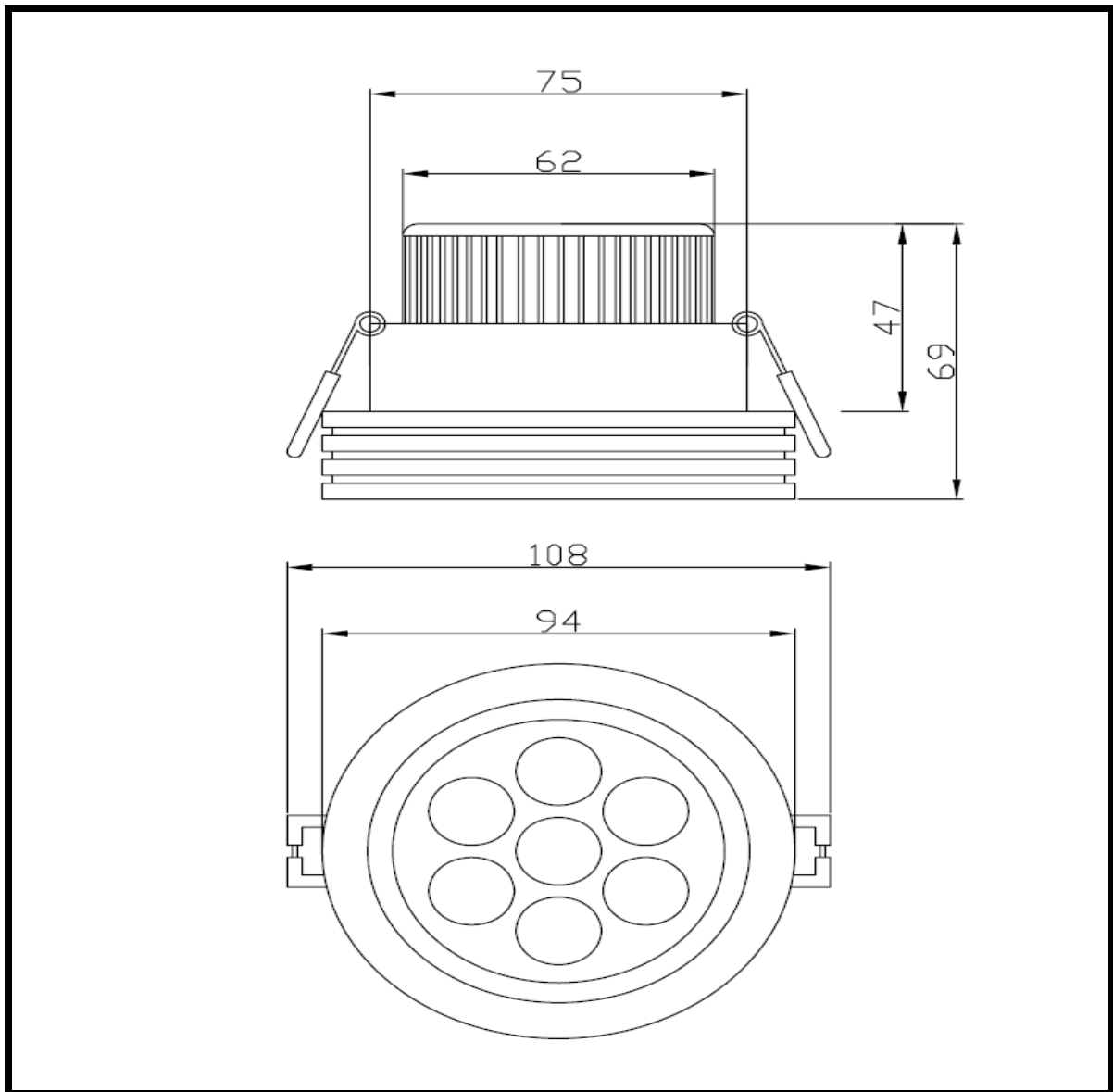
	15°		30°		60°		Unit
	Neutral White	Neutral White	Neutral White	Warm White	Neutral White	Neutral White	
Illuminance @100cm				1400			lux
Illuminance @200cm				400			

	120°						Unit
	Neutral White	Neutral White					
Illuminance @100cm							lux
Illuminance @200cm							

# R7 Series

---

## Product Dimensions      Unit : mm



### Base Type

- 2PIN

### Note

- Indoor use only
- Do not use this product with ambient temperature over 50 °C