



### I、 Linear Products

Part Number	Measuring Current	Supply Voltage	Output	Linearity	Photos
TA250-CCS	5~25A	±12~±15V	0~4V	<0.1%	
TA500-OCS	5-50A	±15V	0-4V	1%	
TA250-SCS	5~25A	5V	2.5±0.625V	<0.1%	
TB102-OCS	200~1000A	±15V	0~4V	<1%	
TC501-OCS	100~500A	±15V	0~4V	<1%	
TD101-OCA	1~100A	4.5~10.5V	2.5±2V	<1%	
TE101-OCA	0~100A	4V	100mV	<2%	
TG301-CCS	100~300A	±12~±15V	0~150mA	<0.1%	
TH500-CCS	50A	±12~±15V	50mA	<0.2%	
TI101-CCS	100A	±12~±15V	50mA	<0.2%	
TR102-OCS	100~1000A	±15V	0~4V	<1%	
TS501-OCS	50~500A	±15V	0~4V	<1%	
TU301-OCS	50~300A	±15V	0~4V	<1%	
TU301-OCA	50~300A	±15V	0~24mA	<1%	
TV301-OCB	200~300A	4.5~10.5V	2.5±2.38V	<1%	
TW250-OCS	5~25A	±15V	0~4V	<1%	



# Thousand Hundred Industrial Co., Ltd.


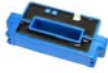
thic@thic.net

## Hall-Effect Current Sensors

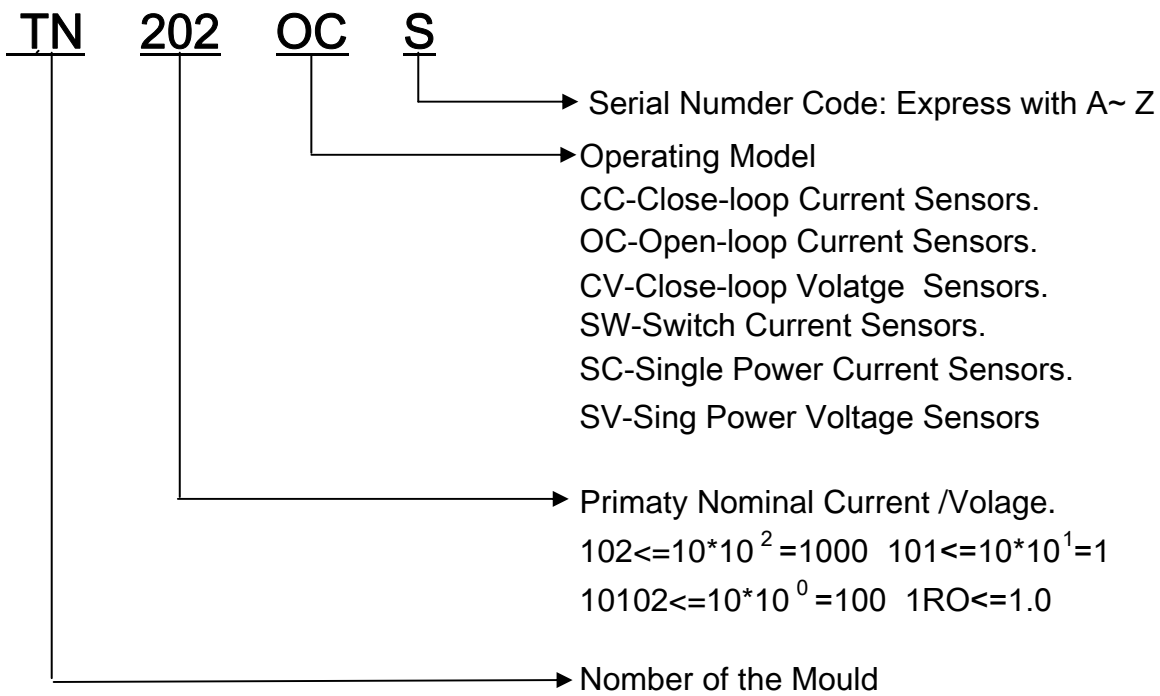
CE-Approved

RoHS-Compliant

### II · Split Core Products

Part Number	Measuring Current	Supply Voltage	Output	Linearity	Photos
TM501-OCS	50~500A	±15V	0~4V	<1%	
TN202-OCS	300~2000A	±15V	0~4V	<1%	

### NOMINATION



CE- Approved No:E0901018

Products other than above items, can be made according to customer's requirements.

Plastic : UL 94 V0.

New products will be published periodically.

Fully RoHS Compliant