



□172x151x51 mm  
 (□6.77x6x1.5 in)



**Frame:** Die cast aluminum, Painted Black

**Impeller:** Steel(black) **option** white/green/blue

**Ambient Temperature Range:** -10°C ~ +70°C

**Operating Voltage Range:** Rated Voltage ±10%

**Bearing:** Ball

**Motor Structure:** AC Induction Capacitor Motor

**Motor protection:** Thermal Protected (Auto Restart)

**Termination:** Terminals or Lead wire 300mm

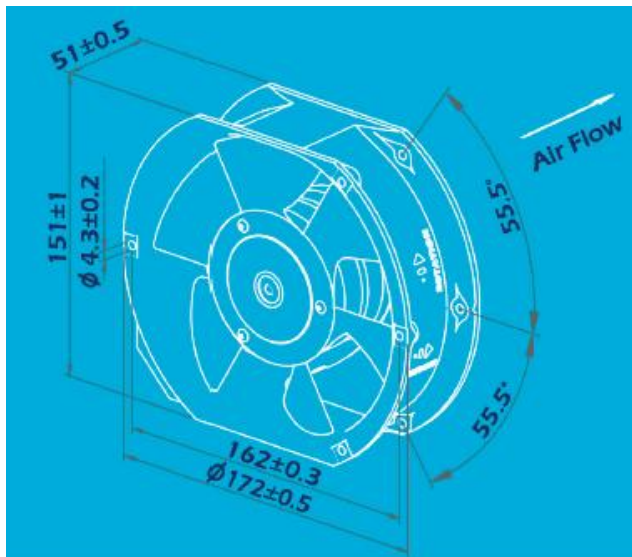
**Package:** 940g / PC, 12PCS / CTN



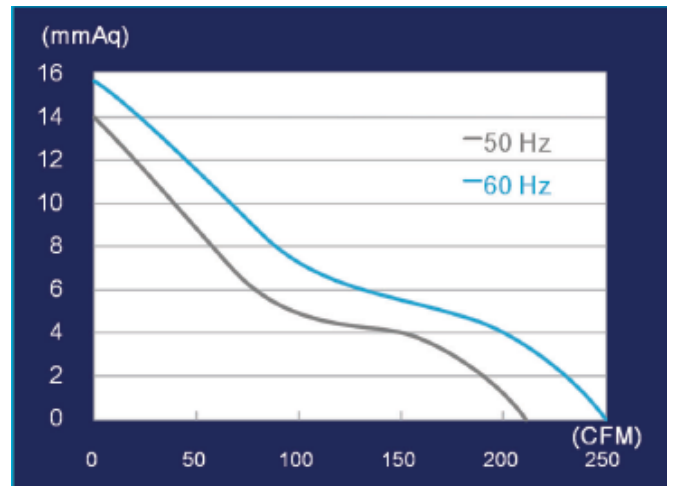
**Advantage**

1. High airflow.
2. High stable.

Dimension (units:mm)



Characteristic Curves



**SPECIFICATION**

Model	Voltage (V)	Freq. (Hz)	Current (A)	Power (W)	Speed (RPM)	Air Flow (CFM)	Pressure (mmAq)	Noise (dB)
CYM11751HBT(L)	115	50/60	0.25/0.21	26/25	2700/3100	210/250	14/15.5	53/59
CYM21751HBT(L)	230	50/60	0.11/0.12	26/27	2700/3100	210/250	14/15.5	53/59