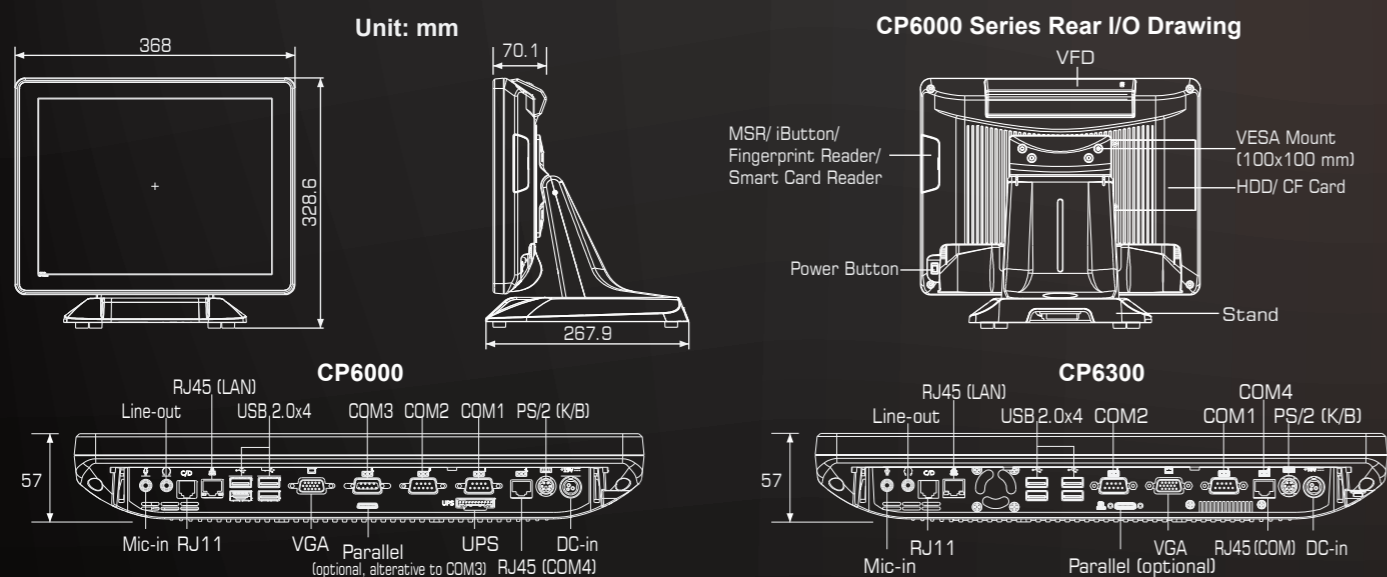


## Centurion Series Specification

Model no.	CP6000	CP6300		
<b>Display</b>	LCD Display Size	15" TFT LCD		
	Max. Resolution	1024x768		
	Brightness	250 cd/m <sup>2</sup>		
	Support Color	16.2M/ 262K colors		
	Backlight	CCFL		
<b>Touch Panel</b>	Type	Five-Wire Analog Resistive or Projected Capacitive		
<b>Processor</b>	CPU/ Chipset	Intel® Atom™ processor D525 (1M Cache, 1.80GHz) / ICH8-M	Intel® Core™ i3-2120 3.3GHz processor/H61 Intel® Pentium® G850 2.9GHz processor/H61 Intel® Celeron® G540 2.5GHz processor/H61	
<b>Memory</b>		One SO-DIMM socket supports DDR3 up to 4GB		
<b>Graphic Memory</b>		Dynamic Video Memory Technology (DVMT) 3.0 supports up to 224MB of video memory	Dynamic Video Memory Technology (DVMT) 3.0 supports up to 512MB of video memory	
<b>Storage</b>	SSD	CF X 1	CFast X 1	
	SATAII	X 1 (2.5" SATAII HDD)	X 1 (2.5" SATAII HDD)	
<b>I/O connectors</b>	USB 2.0	X 4		
	PS/2	X 1 (for Keyboard)		
	Powered COM	X 3 (Powered COM with DC 5V/ 12V)	X 2 (Powered COM with DC 5V/ 12V)	
	COM	X 1 (RJ45)		
	Cash Drawer Port	X 1 (12V RJ11 cash drawer port)		
	Audio Port	Line-out	X 1	
		Mic-in	X 1	
		Speaker	X 1 (2W)	
	VGA Connector	X 1		
	Parallel	X 1 (optional, alternative to COM3)	X 1 (optional)	
<b>Network</b>	LAN	X 1 (RJ45, 10/100/1000 Base-T)		
<b>Option</b>		VFD/ Second display/ MSR/ iButton/ Fingerprint reader/ Smart card reader/ 1D/ 2D Barcode scanner		
<b>Environment</b>	Temperature	Operation	32° to 95° F (0° to 35° C)	
		Storage	-4° to 140° F (-20° to 60° C)	
	Relative Humidity	20% to 80% non-condensing		
<b>Power Supply</b>		90W or 120W (option with second display) power adapter	180W power adapter	
<b>OS Support</b>		Linux/ Windows CE/ Windows XP Embedded/ Windows Embedded Standard/ Windows Embedded POSReady	Linux/ Windows XP Embedded/ Windows Embedded Standard/ Windows Embedded POSReady	
<b>Chassis Housing</b>		Aluminum		
<b>Weight</b>		7.8Kg		
<b>Dimension</b>		323.6(W) x 264.2(H) x 368(D) mm		
<b>EMC &amp; Safety</b>		FCC Class B/ CE/ LVD		

## Mechanical Layout / Drawing



Simple · Green · Stylish

All-in-One POS Terminal  
CP6000 / CP6300

CP6000 series is a wall/ pole mountable panel POS terminal with solid flat panel and robust mechanical design. The 15" touch display supports IP64 spill proof to enhance user experience and compact footprint, which helps to save space but still maintain steadiness. Moreover, system chassis is housed by aluminum material for better heat dissipation and flexible architecture design to support various peripherals including 1D/2D barcode scanner, MSR, iButton, fingerprint reader, RFID, smart card reader and adjustable VFD customer display. PT6000 series is the best panel POS platform for the most demanding hospitality and retail environments.



## Features Highlight:

- All-in-one panel PC style with 15" touch display
- Power efficient Intel® Dual Core Atom™ D525 processor 1.8GHz/1MB cache (PT6000)
- High performance Intel® Core™ i3-2120 processor 3.30GHz/3MB cache (PT6300)
- Fanless system with aluminum enclosure design (PT6000)
- IP64 water and dust proof protection for front panel
- Stylish and rimless flat panel design with VESA mount supporting
- Optional built-in VFD or 8" / 15" customer display
- 5V/12V DC powered COM with jumper-less BIOS setting
- Easy installation and maintenance for HDD and CF / CFast card slot
- Optional 1D/2D barcode, MSR, smart card, Mifare RFID, iButton or fingerprint reader devices
- Optional UPS battery backup (PT6000)

### Edge-to-edge flat-panel display

- Seamless flat-panel design with edge-to-edge glass covers nearly the front of the aluminum enclosure
- Capacitive touchscreen supports multi-touch (optional)
- Easy to clean grease stains



### Front panel protection

- IP64 dust & spill resistant for front bezel to extend product life
- Screen built-in thick tempered glass with 6H degree hardness for scratch-proof (optional capacitive touch screen)



### Flexible installation

- VESA mount supports wall mount, ceiling mount, swivel mount
- Compact stand for limited space



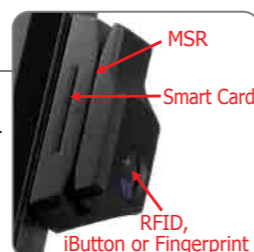
### UPS function to protect your data

- UPS battery module provides backup power input to avoid unexpectedly power lost and protects your system from injuries, fatalities, serious business disruption or data loss (optional for PT6000)



### Various peripherals configuration options

- Cable-less docking connector for easy expansion
- Optional MSR, iButton, fingerprint module, Smart Card and Mifare RFID reader
- Optional built-in 2D barcode scanner, 752 x 480 CMOS sensor, supports all global standard 1D and most 2D barcode symbologies
- Optional built-in 1D barcode scanner, 2500 pixels linear CCD, supports all global standard 1D barcode symbologies



### All-in-one simple enclosure

- Solid and robust aluminum enclosure for good heat dissipation and preventing damage from harsh environment
- Cutting edge fanless design for long-life span (PT6000)
- Efficient heat pipe for heat dissipation
- Adjustable screen and customer display view angle allows the operator and the customers more comfortable



### Dedicated Point-of-Sale I/O

- Powered COM 5V / 12V Jumper-less setting by BIOS
- Easy access 2.5" HDD bay and CF or CFast card slot



### Multiple choices for optional customer display

- Built-in 20-column x 2-line dot matrix VFD
- 8" LCD, 800 x 600 pixels, 250 cd/m<sup>2</sup>
- 15" TFT LCD interactive customer display

