

奧偉科技股份有限公司
Oswald Technology Co.,Ltd.



LED BULB lamp

Part No. : OS2715-x50W-01 系列規格書

Version : V0

Customer		Manufacturer		
Approved	Checked	Approved	Checked	Prepared

Oswald Technology Co.,Ltd.

7F.-3.No 16,Lane 270,Sec. 3,Pei Sheng Rd.,Shen Keng, Taipei County 22205, Taiwan
TEL : +886 2 26620169 FAX : +886 2 26620170

奧偉科技股份有限公司

Oswald Technology Co.,Ltd.

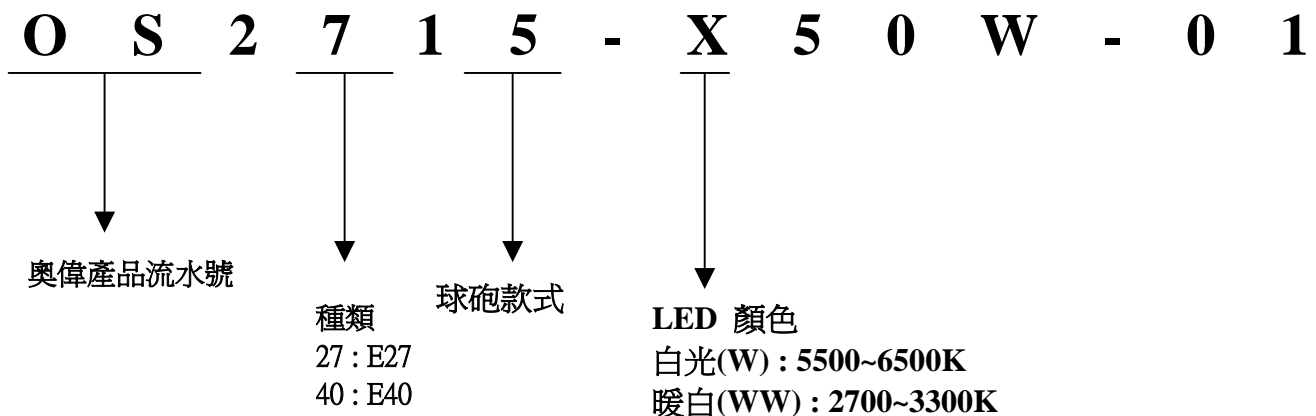
1. 產品特色

- 使用 SMD LED Chip. Use SMD LED Chip.
- 使用鋁散熱片為散熱基礎 Use of aluminum-based heat sink for cooling
- 使用恆定電流模式. Use a constant current mode.
- 使用晶片分流理論 theory using chip shunt
- 可直接替換傳統鹵素球砲 Direct replacement of traditional halogen ball gun
- 與傳統球砲比較，大約可節省 65%以上電力。 compared with the traditional ball guns, about 65% power savings.

2. Features :

- Indoor lighting for residential use.
- Equal to 150W incandescent lamp.
- Health protection : no UV/IR : more comfortable for vision.
- Environmental protection : zero Mercury : lower CO₂ emission.
- Energy saving : electricity saving rate more than 80% : lower burden on air-cinditioner
- Durability : reinforced plastic and metal body design : breakage resistance
- Lighting convenience : instant lighting-on with no flickering
- Easy to use : compatible with general lamp-socket

3. 產品編碼原則 P/N :



Oswald Technology Co.,Ltd.

7F.-3.No 16,Lane 270,Sec. 3,Pei Sheng Rd.,Shen Keng, Taipei County 22205, Taiwan
TEL : +886 2 26620169 FAX : +886 2 26620170

奧偉科技股份有限公司

Oswald Technology Co.,Ltd.

4. 產品規格

E27/E40 LED BULB lamp

Size : Φ 160x (H) 260mm

Type : E27/E40

Color (X) : Warm White (WW) / Cool White(W)

Beam Angle : 200°

Voltage : AC 90~240V 50~60 HZ

Operating temperature: <50°C

Wattage : 50 W \pm 10%

CRI : >75% for Cool White

>75% for Warm White

Material : Al & PC

Weight : 900g

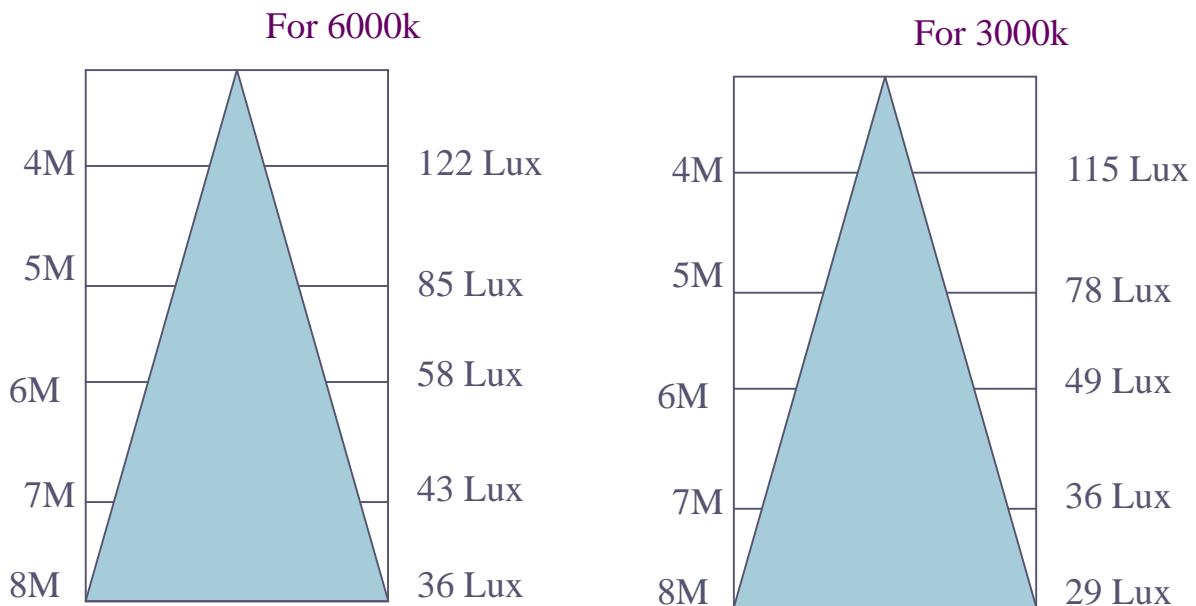
PF>0.9

Lumen output (lux) : 3500~4200 lm for 2700~3300k

3800~4500 lm for 5500~6500k

Average rated lifespan: 30,000 hours

5. 光學特性規格 Optical properties of specifications



Oswald Technology Co.,Ltd.

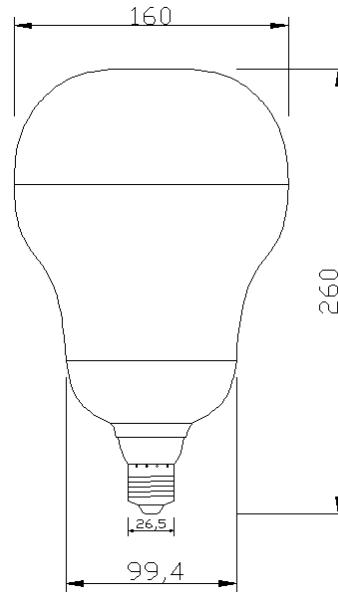
7F.-3.No 16,Lane 270,Sec. 3,Pei Sheng Rd.,Shen Keng, Taipei County 22205, Taiwan

TEL : +886 2 26620169 FAX : +886 2 26620170

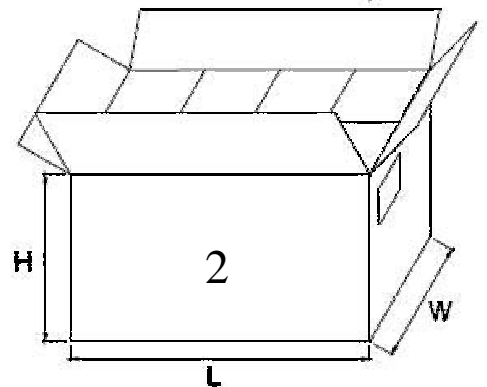
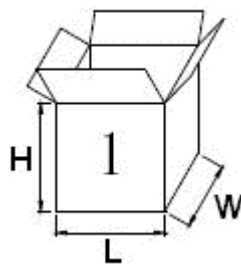
奧偉科技股份有限公司

Oswald Technology Co.,Ltd.

6. Drawing 尺寸圖：



7. Packaging 包裝示意圖



Number	Description	Size (mm)
1	Whit Box	L
		W
		H
2	Outside carton	L
		W
		H

Carton= pcs

Oswald Technology Co.,Ltd.

7F.-3.No 16,Lane 270,Sec. 3,Pei Sheng Rd.,Shen Keng, Taipei County 22205, Taiwan

TEL : +886 2 26620169 FAX : +886 2 26620170