

義大利電磁式膜片泵浦 DL-PK

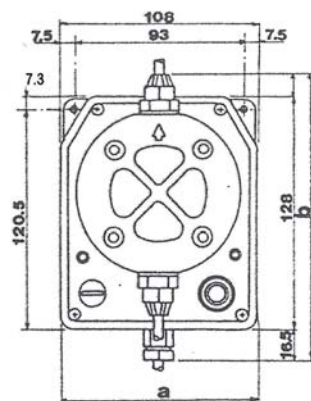


COMPACT, BASIC, NO FRILLS PUMPS

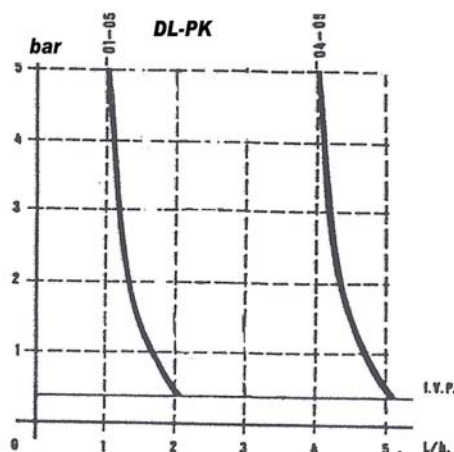
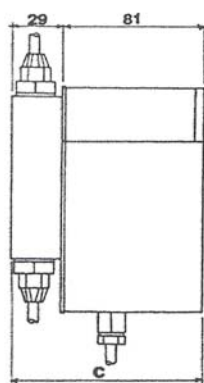
- Wall-mounted metering pumps
- Very basic, reliable and compact solenoid-driven diaphragm pumps, designed so that you pay only for what you need.
- **IP40** enclosure protection.
- Approximate weights of 2.3 kg.
- 110 mm (depth), 108 mm (width), 128 mm (height).
- Manufactured in accordance with **CE** regulations.

Type	Max Flow	Max Press.	Max imp./min.	Output /Stroke	Stroke	Suction height	Standard power	Power cons.	Current cons.	Net weight
	l/h	bar		ml	mm	m	Volts/Hz	Watts	Ampere	kg
1-5	1	5	100	0.16	0.9	1.5	230V/50-60Hz	22	0.11	2.3
4-5	4	5	100	0.8	1.2	2	230V/50-60Hz	22	0.11	2.3

※ Pumps supplied with manual air bleed valve



OVERALL DIMENSION : MM



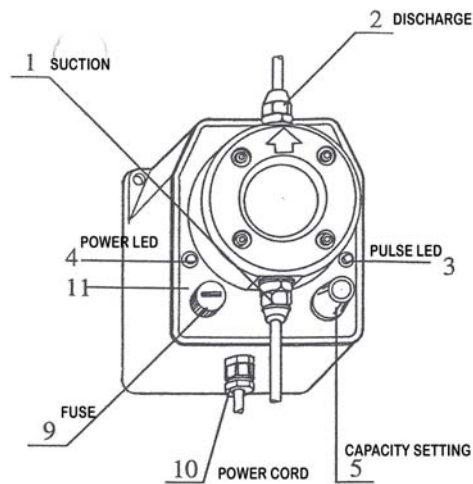
Max metering pump flow variation in relation to working pressure in the plant; the diagrams also includes injection valve losses I.V.P.

FEATURES	Electicals	230V/50-60Hz/1Ph
	Body/casing (non-wetted)	ABS plastic
	Pumphead assembly	PP
	Check valves	Viton (lip type)
	Diaphragm	Entirely PTFE
	Control panel	Stainless steel
	Suction/discharge tube (2m)	PVC/PP
	Filter (footvalve) & injection valve	PP

CONTROL PANEL (操作面盤)

Output can be controlled manually by setting the pump impulse rate by means a potentiometer.

- Impulse adjustable from 0 to 100%



本泵浦特點:

1. 本泵浦接液部分皆為耐酸鹼材質，特適合各場合使用。
2. Teflon (鐵弗龍)膜片，耐用操作準確。
3. 操作面盤不鏽鋼構造，耐候耐腐蝕。
4. IP-40 及 CE 認證，安全可靠。
5. 經濟實惠好用。

益水水處理工程有限公司

10079 台北市泉州街 18-1 號 2 樓

Tel : 886-2-2301-5146, 2307-6570

Fax : 886-2-2303-0895

E-Mail : taihon.engg@msa.hinet.net