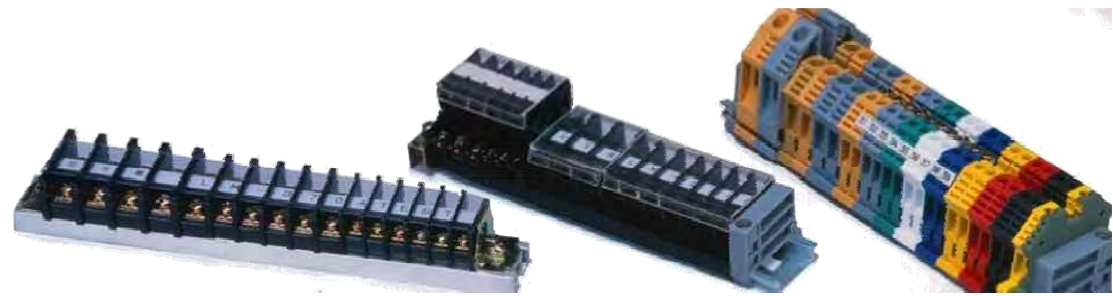


CATALOGUE



Page 1 : HT-Series

Page 2 : HT-E Earth Through Terminals and Fuse Terminals

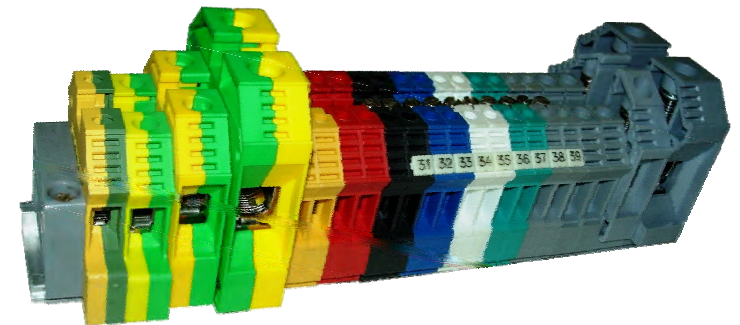
Page 3 : HTP-4 and Double Deck

Page 4 : NHT-Series for TS-35


Page 5 : NHT-Series for TS-35

Page 6 : NHC-Series for TS-15

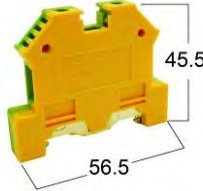

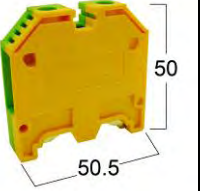
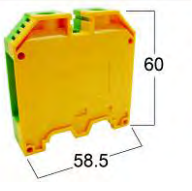
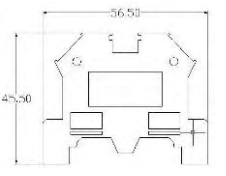
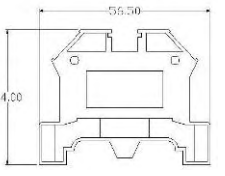
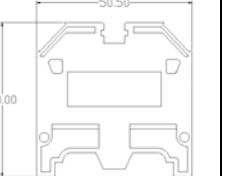
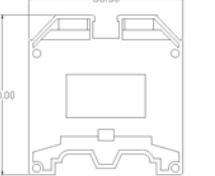




Page 7 ~ 10 : Accessory

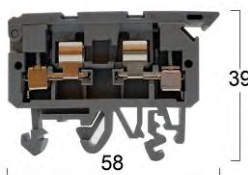
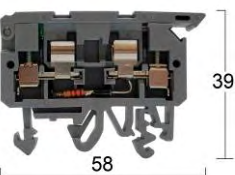
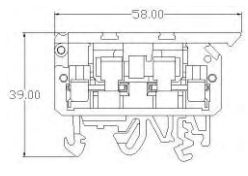
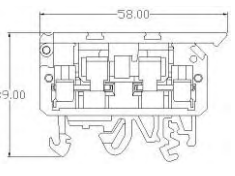




HT-Series

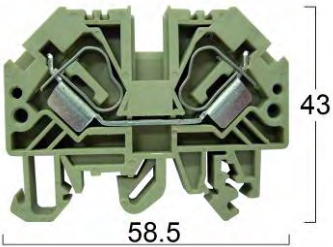
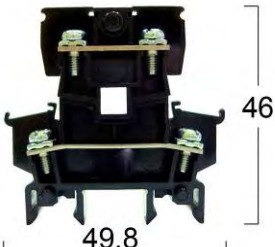




Feed-Through Terminals Screw clamp connection Material : PA66 Rail mount on TS32/TS35 or direct mounting	HT-2.5	HT-4	HT-10	HT-16	HT-35	HT-50	HT-95							
														
Q'ty.P.pck(g/pcs)	1320/200	1100/100	1630/100	1480/50	1156/20	5835/50	4695/25							
Terminal width/Insulation stripping length	5.1mm/7mm	6.2mm/11.5mm	8.4mm/12mm	12.3mm/15mm	16.2mm/18mm	20.3mm/27mm	25.5mm/30mm							
Conductor cross-section solid/stranded	0.2-4/0.2-2.5	0.2-6/0.2-4	0.2-10/0.2-10	2.5-25/2.5-16	2.5-50/2.5-35	16-50/25-50	35-95/35-95							
AWG	22-12	22-10	22-8	12-6	12-2	6-1/0	2							
Electrical ratings	Voltage V	Current A	Voltage V	Current A	Voltage V	Current A	Voltage V	Current A	Voltage V	Current A	Voltage V	Current A		
VDE	750	26	750	34	750	55	750	75	750	135	1000	168	1000	250
CE	600	24	600	30	600	50	600	70	600	100	600	150	600	230
UL	600	20	600	30	600	50	600	70	600	115	600	150	600	115
End Plate	EP-4	EP-4	EP-4	EP-16	EP-35	-	-							
Color	Grey	Grey	Grey	Grey	Grey	Grey	Grey							
Approvals														

HT-E Earth Through Terminals and Fuse Terminals

Earth-Through Terminals Screw clamp connection Material : PA66 Rail mount on TS35	HT-4E	HT-10E	HT-16E	HT-35E
				
				
Q'ty.P.pck(g/pcs)	1540/50	1680/50	1072/20	2020/20
Terminal width/Insulation stripping length	9mm/11.5mm	10.4mm/12mm	12mm/12mm	16mm/18mm
Conductor cross-section solid/stranded	0.2-6/0.2-4	0.2-10/0.2-10	2.5-25/2.5-16	2.5-50/2.5-35
AWG	22-10	20-6	10	10
Rated surge voltage	8kv	8kv	12kv	12kv
Contamination class	3	3	3	3
Color	Green/Yellow	Green/Yellow	Green/Yellow	Green/Yellow
Approvals				










Fuse Terminals Screw clamp connection Material : PA66 Rail mount on TS32/TS35 or direct mounting	HTF-1	HTF-1/LED
		
		
Q'ty. P. pck(g/pcs)	1240/100	1340/100
Terminal width/Insulation stripping length	8mm/9mm	8mm/9mm
Conductor cross-section solid/stranded	0.2-4/0.2-2.5	0.2-4/0.2-2.5
AWG	22-14	22-14
Electrical ratings	Voltage V Current A	LED Voltage
VDE	500 10	24V AC/DC
CSA	250 10	100~120V AC/DC
UL	250 10	220~240V AC/DC
End Plate	EPF-1	EPF-1
Color	Grey	Grey
Approvals		

HTP-4 and Double Deck

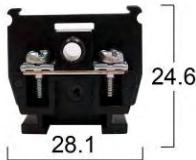
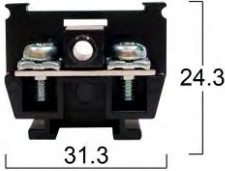
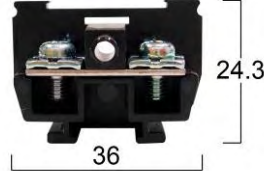


Feed –Through Terminals Spring clamp connection Material : PA66 Rail mount on TS32/TS35 or direct mounting	HTP-4		Feed –Through Terminals Screw clamp connection Material : PC Rail mount on TS15/TS35 or direct mounting	MEC-15		MEC-25	
	 43 58.5			 46 49.8		 46 49.8	
Qty. p. pck (g/pcs)	1140/100		Qty. p. pck (g/pcs)	1100/100		1730/100	
Terminal width	6.2mm/11.5mm		Terminal width	7mm		9.8mm	
Heat deflection °C	0.2-6/0.2-4		Heat deflection °C	130 °C		130 °C	
AWG	22-10		AWG	22-16		22-12	
Electrical ratings	Voltage V	Current A	Electrical ratings	Voltage V	Current A	Voltage V	Current A
VDE	750	34	VDE	600	15	600	25
CE	600	32	CE	600	15	600	25
UL	600	30	UL	600	15	600	25
End plate	EPP-4		End plate	MEC-15-02 or MEC-15-02L		MEC-15-02 or MEC-15-02L	
Color	Grey, Pear		Color	Black		Black	
Approvals			Approvals				

NHT-Series for TS-35

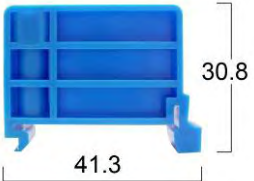

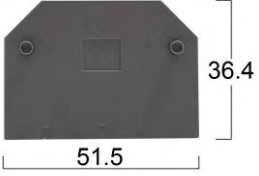
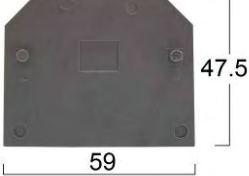
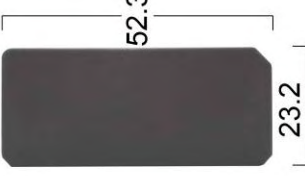
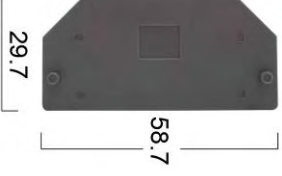

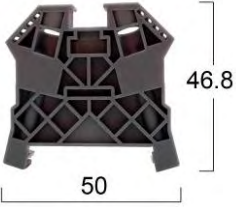
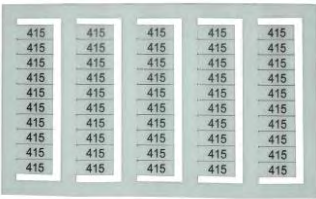





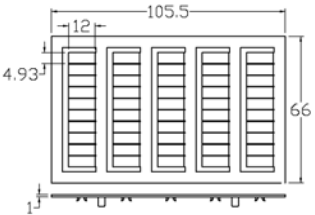
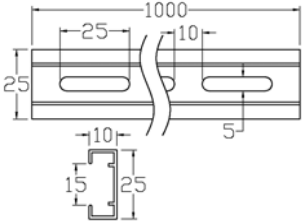
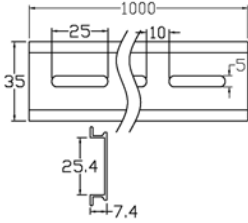
Feed –Through Terminals	NHT-10	NHT-20	NHT-30	NHT-60	NHT-100
					
Qty. p. pck (g/pcs)	760/100	1060/100	1400/100	3170/88	4310/10
Terminal width	9mm	10.6mm	13.2mm	22.5 mm	32 mm
Heat deflection °C	130°C	130°C	130°C	130°C	130°C
AWG	22-16	22-14	22-12	6	2
Electrical ratings	Voltage V Current A	Voltage V Current A	Voltage V Current A	Voltage V Current A	Voltage V Current A
CE	600 10	600 20	600 30	600 60	600 100
CSA	600 10	600 20	600 30	600 60	600 100
UL	600 10	600 20	600 30	600 60	600 100
End plate	NHT-10-02	NHT-10-02	NHT-10-02	-	-
Color	Black	Black	Black	Black	Black
Approvals	CE	CE	CE	UL® CE	UL® CE

Feed-Through Terminals and Assemblies · Screw clamp connection · Material: PC · Rail mount on TS35	NHT-202		NHT-2		NHT-3.5		NHT-8		NHT-14		
											
Qty. p. pck (g/pcs).	1021/50		453/20		738/20		1305/20		2420/100		
Terminal width	25.8 mm		25.8 mm		35.5 mm		43.5 mm		16 mm		
Heat deflection °C	130°C		130°C		130°C		130°C		130°C		
AWG	14		14		12		8		6		
Electrical ratings	Voltage V	Current A	Voltage V	Current A	Voltage V	Current A	Voltage V	Current A	Voltage V	Current A	
CE/CSA/UL	600	20	600	20	600	30	600	50	600	60	
Pole	2P		3P		3P		3P		1P		
Color	Black		Black		Black		Black		Black		
Approvals	CE		UL® CE		UL® CE		UL® CE		UL® CE		
Feed-Through Terminals and Assemblies · Screw clamp connection · Material: PC · Rail mount on TS35	NHT-22		NHT-38		NHT-200		NHT-400				
											
Qty. p. pck (g/pcs).	933/20		1060/10		615/3		1330/3				
Terminal width	22.5 mm		32mm		39.5mm		62.5mm				
Heat deflection °C	130°C		130°C		130°C		130°C				
AWG	4		2		4/0		500				
Electrical ratings	Voltage V	Current A	Voltage V	Current A	Voltage V	Current A	Voltage V	Current A			
CE/CSA/UL	600	90	600	130	600	240	600	370			
Pole	1P		1P		1P		1P				
Color	Black		Black		Black		Black				
Approvals	UL® CE		UL® CE		UL® CE		UL® CE				

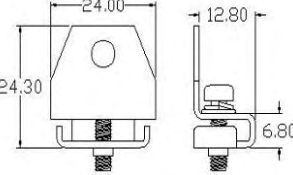
NHC-Series for TS-15







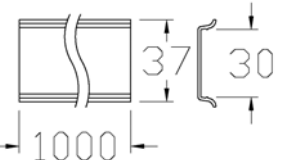
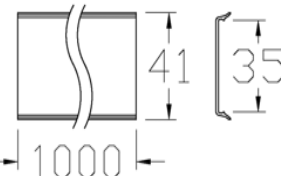
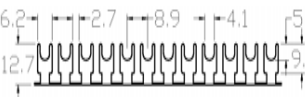
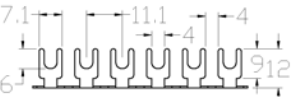
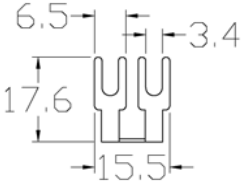
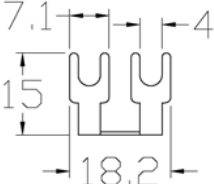
Feed –Through Terminals Screws clamp connection Material : PC Rail mount on TS15	NHC-10	NHC-20	NHC-30	NHC-60	NHC-100
				 	 
Qty. p. pck (g/pcs)	1140/20	1780/20	2360/30	3870/100	356/4
Terminal width	8.5mm	10.8mm	13.2mm	20mm	23 mm
Heat deflection °C	130°C	130°C	130°C	130°C	130°C
AWG	22-16	22-14	22-12	12-8	8-2
Electrical ratings	Voltage V Current A	Voltage V Current A	Voltage V Current A	Voltage V Current A	Voltage V Current A
CE/CSA/UL	600 10	600 20	600 30	600 60	600 100
End plate	NHC-10-02	NHC-20-02	NHC-30-02	NHC-60-02	NHC-100-02
Color	Black	Black	Black	Black	Black
Approvals	CE	CE	CE	CE	CE

Accessory







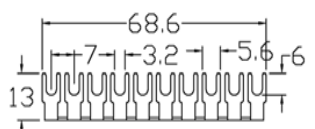
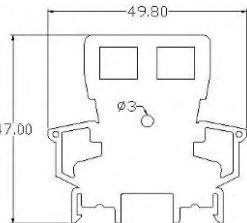
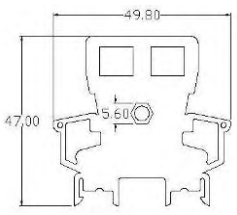
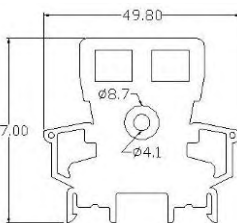
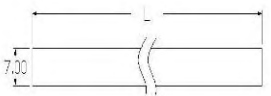
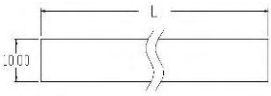
<p align="center">HT-5</p>	<p align="center">EP-4</p>	<p align="center">EP-16</p>	<p align="center">EP-35</p>	<p align="center">EPF-1</p>	<p align="center">EPP-4</p>
					
<p align="center">HT-5</p>	<p align="center">HT-5N</p>	<p align="center">HT-2.5-01C</p>	<p align="center">HT-4-01C</p>	<p align="center">TS-15</p>	<p align="center">TS-35</p>
<p align="center">Gray</p> 	 <p align="center">Color: Pear , Grey</p>				
<p align="center">NHT-10-02</p> 	<p align="center">NHC-10-06</p> 		<p align="center"> 1~10 \int 91~100 A~Z PE </p>		

Accessory

NHC-10-02	NHC-20-02	NHC-30-02	NHC-60-02	NHC-100-02	NHC-10-05
					
					

NHT-10-06	NHT-30-06	NHT-10-53	NHT-20-53	12D-53	18D-53
					
					

Accessory

MEC-15-53	MEC-15-02	MEC-15-02R	MEC-15-02L	NHT-10-01C	MEC-15-01C												
																	
				 <table border="1" data-bbox="1456 670 1769 734"> <tr> <td>Model No.</td> <td>MEC-15</td> <td>MEC-25</td> </tr> <tr> <td>L (mm)</td> <td>230</td> <td>320</td> </tr> </table>	Model No.	MEC-15	MEC-25	L (mm)	230	320	 <table border="1" data-bbox="1848 646 2094 726"> <tr> <td>Model No.</td> <td>MEC-15</td> <td>MEC-25</td> </tr> <tr> <td>L (mm)</td> <td>230</td> <td>320</td> </tr> </table>	Model No.	MEC-15	MEC-25	L (mm)	230	320
Model No.	MEC-15	MEC-25															
L (mm)	230	320															
Model No.	MEC-15	MEC-25															
L (mm)	230	320															
HT-2.5-47	HT-4-47	HT-10-47	HT-16-47	HT-35-47													
