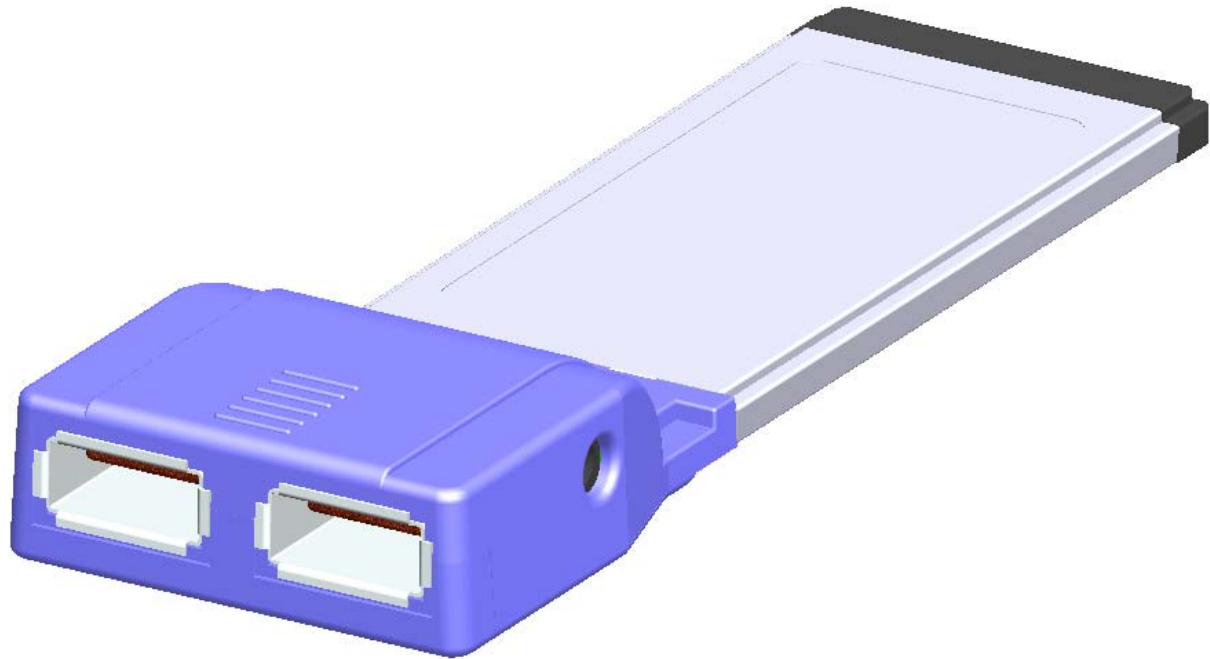


BroadTek[®]
Approval Sheet



Customer : _____

Description : Express Card to USB 3.0 2 Ports

Project No. : _____

Customer No. : _____

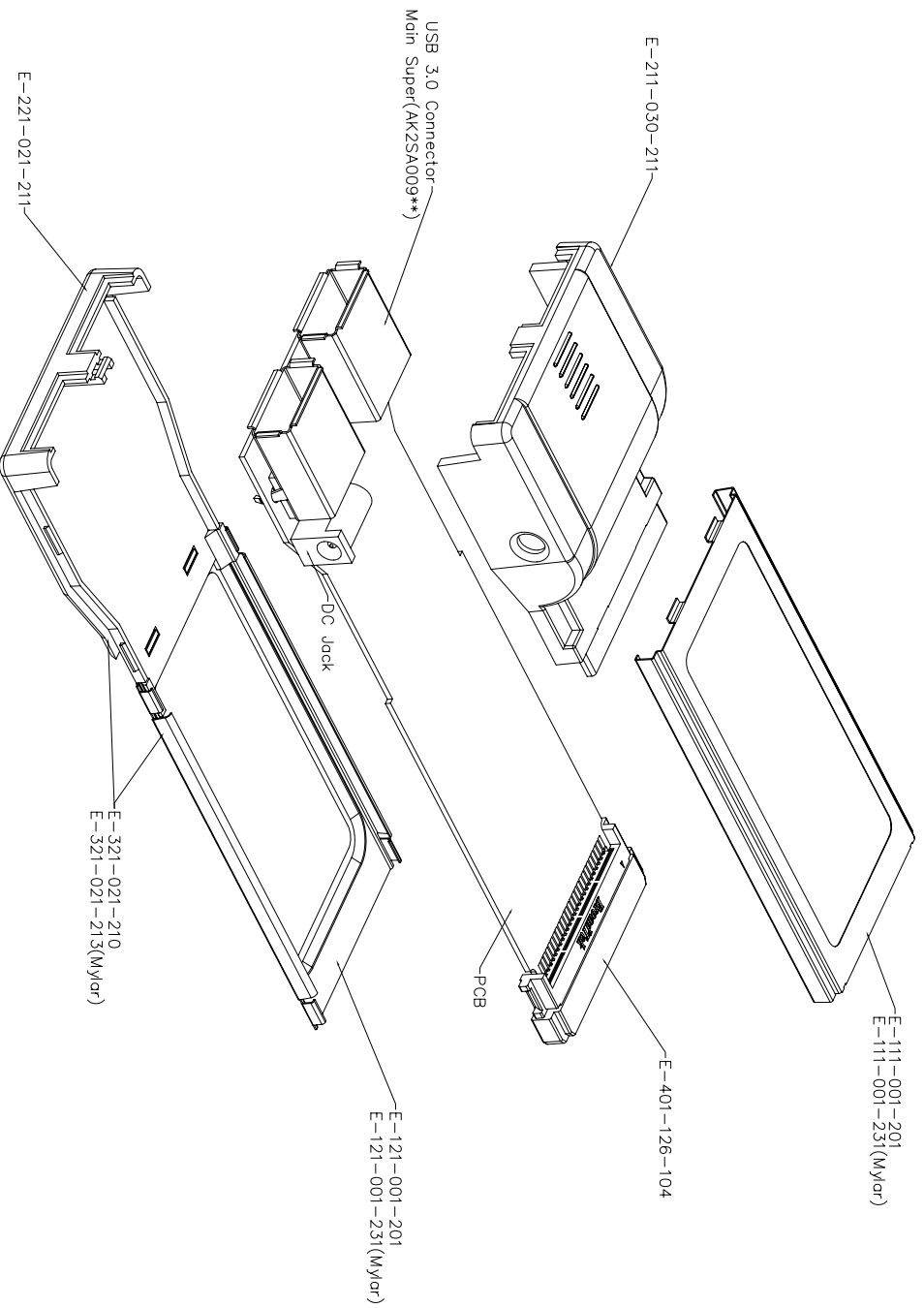
BroadTek No. : E-211-030-211

Date. : 2009,7,31

BroadTek Technology Co., Ltd.

Tel :886-2-29642625 Fax: 886-2-29642601

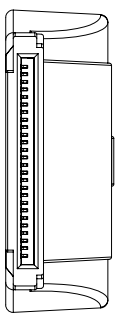
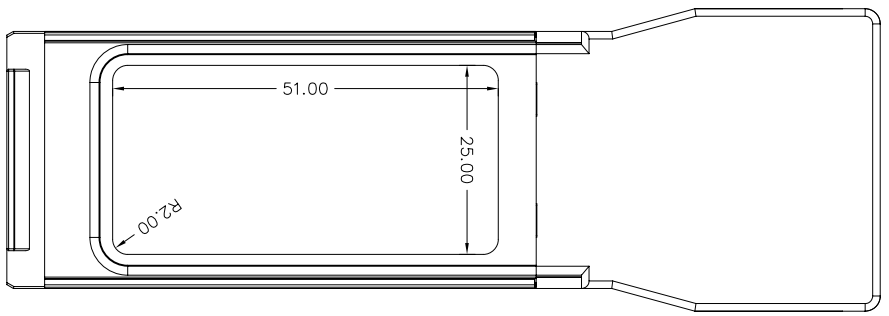
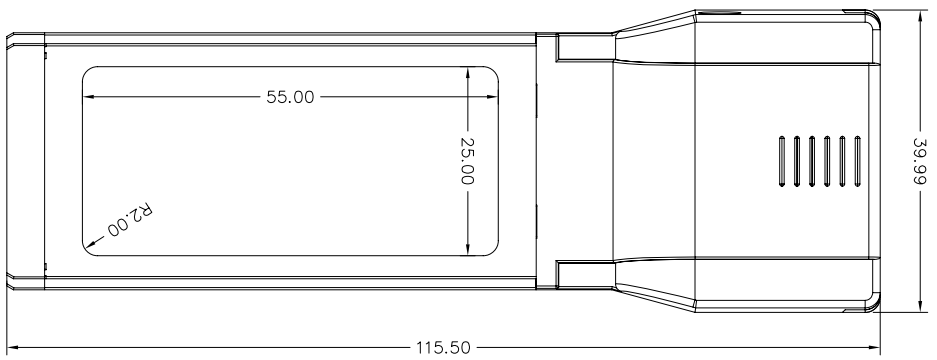
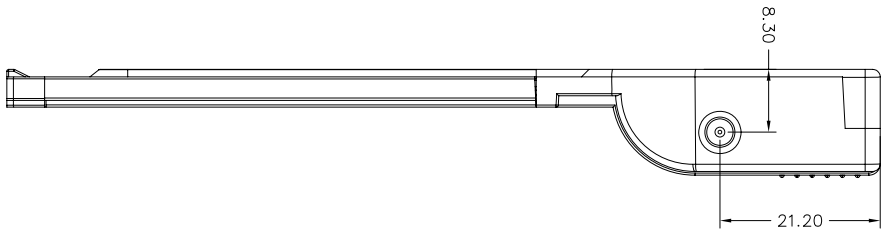
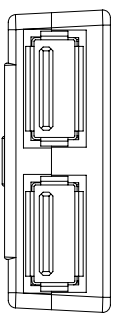
4F.,No.15,Lane 163,Sinyi Rd .,Banciao City,Taipei County 220,Taiwan



— Tolerances —		Unless Otherwise Specified	
.0	±0.15	.00	±0.10
.000	±0.05		
ANGLES		±1°	

BradTek	Approved:	Checked:
	Engineer:	Drawn:

Title : Exploding view for component	
Drawing NO. E-211-030-211-EXP	Part NO.
Unit: mm	Scale: 1:1
Size: A4	Rev: 01
Sheet: 01	



— Tolerances —
Unless Otherwise Specified

.0	±0.15
.00	±0.10
.000	±0.05
ANGLES	±1°



Approved: _____
Checked: _____
Engineer: _____
Drawn: _____

Title : Assembly

Drawing NO. E-211-030-211-ALL

Part NO.

Unit: mm Scale: 1:1 Size: A4 Rev: 01 Sheet