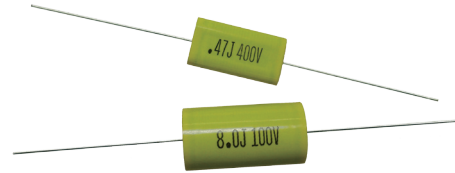


Type: MEA, MET Axial Leded 軸向導線

Features 特性

- Self-healing characteristic.
- Miniature size and light weight.
- Non-inductive construction.
- 自癒性。
- 體積小、重量輕。
- 無極性。



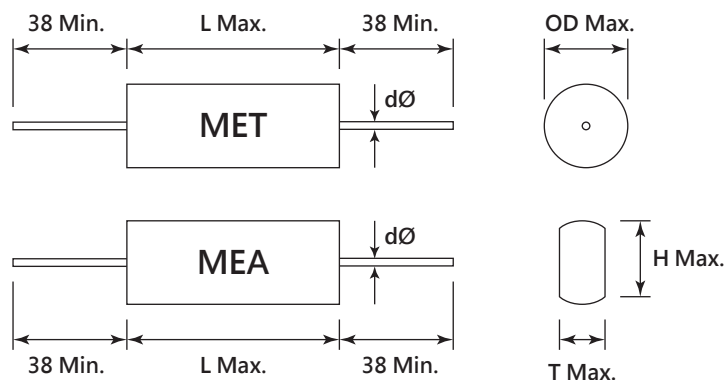
Applications 用途

- Auto control system.
- Telecommunication.
- General purpose.
- 自動控制系統。
- 通訊設備。
- 一般用途。

Specifications 規格

Rated Voltage 額定電壓	100 ~ 630VDC
Capacitance Range 電容量範圍	0.01 ~ 10uF
Capacitance Tolerance 容量誤差	J(±5%), K(±10%)
Dissipation Factor(DF) 損耗因數	≤ 1% Max. at 1KHz and 20°C
Insulation Resistance(IR) 絕緣阻抗	C ≤ 0.33uF, IR ≥ 30,000 MΩ C > 0.33uF, IR ≥ 10,000 MΩ / uF
Dielectric Strength 耐電壓	150% of rated voltage for 5sec
Operating Temperature 操作溫度	- 40 ~ +85°C

Dimensions 尺寸



MET

RV	100VDC		250VDC		400VDC		630VDC	
Size(mm)	OD	L	OD	L	OD	L	OD	L
CAP(μF)								
0.01	5.5	14.0	5.5	14.0	5.5	14.0	5.5	14.0
0.015	5.5	14.0	5.5	14.0	5.5	14.0	5.5	14.0
0.022	5.5	14.0	5.5	14.0	5.5	14.0	6.5	14.0
0.033	5.5	14.0	5.5	14.0	5.5	14.0	6.5	19.0
0.047	6.5	14.0	6.5	14.0	6.0	19.0	7.5	19.0
0.068	6.5	14.0	6.5	14.0	6.5	19.0	8.5	19.0
0.1	6.5	14.0	6.5	14.0	7.5	19.0	10.0	19.0
0.22	6.5	14.0	6.5	14.0	9.5	19.0	11.5	25.0
0.33	8.0	14.0	7.5	19.0	11.5	19.0	14.0	25.0
0.47	7.0	19.0	8.5	19.0	11.0	25.0	14.0	31.0
0.68	7.5	19.0	10.0	19.0	13.0	25.0	17.0	31.0
1	9.0	19.0	10.0	24.0	14.0	31.0	19.0	31.0
2.2	11.0	24.0	12.0	31.0	18.0	36.0	23.5	40.0
3.3	14.0	24.0	14.5	31.0	21.0	36.0	27.0	46.0
4.7	13.5	31.0	17.5	31.0	22.0	40.0	33.0	46.0
6.8	16.0	31.0	16.0	46.0	22.5	57.0	33.5	56.0
10	19.0	31.0	19.5	46.0	27.0	57.0	41.0	56.0

MEA

RV	100VDC			250VDC			400VDC			630VDC		
Size(mm)	L	T	H	L	T	H	L	T	H	L	T	H
CAP(μF)												
0.01	14.0	5.0	8.0	14.0	5.0	8.0	14.0	5.0	8.0	14.0	5.0	8.0
0.022	14.0	5.0	8.5	14.0	5.0	8.5	14.0	5.0	8.5	14.0	5.0	8.5
0.033	14.0	5.0	8.5	14.0	5.0	8.5	14.0	5.0	8.5	19.0	5.0	9.0
0.047	14.0	5.0	8.5	14.0	5.0	8.5	14.0	5.0	8.5	19.0	5.0	9.0
0.068	14.0	5.0	8.5	14.0	5.0	8.5	19.0	5.0	8.5	19.0	6.0	11.0
0.1	14.0	5.0	8.5	14.0	5.0	8.5	19.0	5.0	8.5	19.0	7.0	11.0
0.22	14.0	5.0	8.5	19.0	5.0	9.0	19.0	6.5	12.0	25.0	7.0	13.5
0.33	14.0	5.0	9.0	19.0	5.0	9.0	19.0	9.0	14.0	25.0	10.0	17.0
0.47	19.0	5.0	7.5	19.0	6.0	10.0	25.0	7.5	14.0	31.0	10.0	16.5
0.68	19.0	5.0	9.0	19.0	7.5	11.0	25.0	10.0	15.0	31.0	12.0	18.0
1	19.0	7.0	11.0	25.0	7.0	12.0	31.0	10.0	17.0	31.0	15.0	21.5
2.2	25.0	8.0	12.0	31.0	8.0	15.0	36.0	13.5	20.0	40.0	20.0	28.0
3.3	25.0	9.5	16.0	31.0	11.0	17.5	36.0	18.0	24.0	46.0	25.0	31.0
4.7	31.0	9.0	15.5	31.0	13.5	20.5	40.0	18.0	24.0	46.0	29.0	37.0
6.8	31.0	11.0	18.5	46.0	13.0	19.5	57.0	17.5	24.5	56.0	30.0	37.5
10	31.0	14.5	21.0	46.0	16.0	23.0	57.0	23.0	29.0	56.0	37.0	43.0