

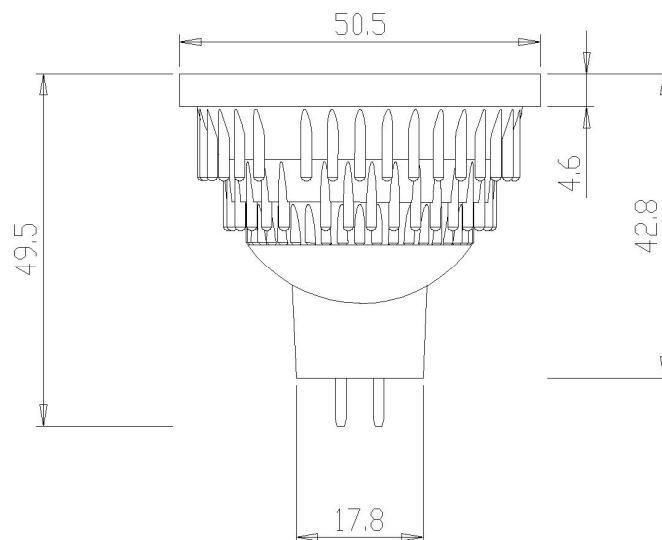
DATASHEET

EL02-31 Series

Input Voltage : 12V AC/DC
Total Watt : 3.76W
LED Watt : 3.26W
Driver Watt : 0.5W
LED If : 350mA
LED Vf : 3.1V*3
Light Angle : 170°
Lumen : 250lm(WW)
330lm(W)
Weight : 36g
Shell Color : W、B、R、G、BL、Y
Light Color : W、WW



Outline SPEC :



GU53

CHARACTER

- Replace traditional MR16 Halogen lamp directly
- Save 91% energy than traditional MR16 Halogen lamp
- Thermal radiation coating improve the heat sink ability
- Life Time about 30000Hr
- Use Elite Eld-01 driver without electrolytic capacitor
- Elite's patent heat sink design improve thermal convection
- High quality OSRAM LED (Dragon Plus) inside
 - a. Color Temp. : 3500K
90lm/W(350mA) CRI : 85min.
 - b. Color Temp. : 5600K
117lm/W(350mA) CRI : 80min.
- No UV
- Reduce the CO₂ discharge
- Two years guarantee
- Made in Taiwan
- All parts can be reused.