 鼎格國際有限公司
Techgrade Global Co., Ltd

專業

價值

服務



電阻

電容

電感

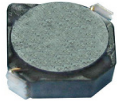
二極體

Office Address: 桃園縣中壢市普義路 207-1 號 8 樓
TEL: 886-3-4631349 FAX: 886-3-4631939

NO. 序號	Type 型號	Inductance 電感值 (μH)	Rated Current 額定電流 (A)	D. C. R 直流電阻 (MΩ)	Dimensions 尺寸 (mm)	Page 頁碼
01	JCRH2D09A	1.2~27	0.80~0.20	75~1060	3.2x3.2x1.0	05
02	JCRH2D11A	1.5~100	0.90~0.12	65~4800	3.2x3.2x1.25	06
03	JCRH2D11	1.5~100	0.90~0.12	65~4800	3.2x3.2x1.25	07
04	JCRH2D11AHP	1.5~22	1.35~0.43	80~1680	3.2x3.2x1.25	08
05	JCRH2D11HP	1.5~22	1.35~0.43	80~1680	3.2x3.2x1.25	09
06	JCRH2D14A	1.5~100	1.80~0.22	63~5350	3.2x3.2x1.55	10
07	JCRH2D14	1.5~100	1.80~0.22	63~5350	3.2x3.2x1.55	11
08	JCRH2D18ALD	1.5~47	1.10~0.20	48~660	3.2x3.2x2.0	12
09	JCRH2D18LD	1.5~47	1.10~0.20	48~660	3.2x3.2x2.0	13
10	JCRH2D18A	1.7~15	1.85~0.70	44~345	3.2x3.2x2.0	14
11	JCRH2D18AHP	1.7~15	1.85~0.70	44~345	3.2x3.2x2.0	15
12	JCRH2D18HP	2.2~330	0.80~0.06	87~9000	4.0x4.0x1.25	16
13	JCRH3D11A	2.2~330	0.80~0.06	87~9000	4.0x4.0x1.25	17
14	JCRH3D11	1.5~22	1.45~0.38	100~925	4.0x4.0x1.25	18
15	JCRH3D11AHP	1.5~22	1.45~0.38	100~925	4.0x4.0x1.25	19
16	JCRH3D14A	1.2~22	2.15~0.52	45~675	4.0x4.0x1.5	20
17	JCRH3D14	1.2~22	2.15~0.52	45~675	4.0x4.0x1.5	21
18	JCRH3D14ALD	1.2~47	1.50~0.25	38~1078	4.0x4.0x1.5	22
19	JCRH3D14LD	1.2~47	1.50~0.25	38~1078	4.0x4.0x1.5	23
20	JCRH3D14AHP	1.5~22	2.60~0.65	76~830	4.0x4.0x1.5	24
21	JCRH3D14HP	1.5~22	2.60~0.65	76~830	4.0x4.0x1.5	25
22	JCRH3D16A	1.5~33	1.60~0.14	48~6800	4.0x4.0x1.8	26
23	JCRH3D16	1.5~33	1.60~0.14	48~6800	4.0x4.0x1.8	27
24	JCRH3D16ALD	3.3~47	0.80~0.21	66~775	4.0x4.0x1.8	28
25	JCRH3D16LD	3.3~47	0.80~0.21	66~775	4.0x4.0x1.8	29
26	JCRH3D16AHP	1.7~100	2.00~0.28	51~2060	4.0x4.0x1.8	30
27	JCRH3D16HP	1.7~100	2.00~0.28	51~2060	4.0x4.0x1.8	31
28	JCRH3D28A	3.3~100	2.00~0.45	88~1140	4.0x4.0x3.0	32
29	JCRH3D28	3.3~100	2.00~0.45	88~1140	4.0x4.0x3.0	33
30	JCRH3D28ALD	10~220	0.50~0.116	95~1270	4.0x4.0x3.0	34
31	JCRH3D28LD	10~220	0.50~0.116	95~1270	4.0x4.0x3.0	35
32	JCRH4D18	1.0~220	3.20~0.13	45~4300	5.0x5.0x2.0	36
33	JCRH4D22	1.5~150	2.00~0.21	18~1350	5.0x5.0x2.4	37
34	JCRH4D22HP	1.2~100	4.20~0.48	27~1370	5.0x5.0x2.4	38
35	JCRH4D28	1.2~1000	2.56~0.11	24~10300	5.0x5.0x3.0	39
36	JCRH5D12	3.3~10	2.30~1.10	118~360	6.2x6.2x1.25	40
37	JCRH5D16A	2.2~100	2.90~0.45	53~1400	5.8x5.8x1.8	41
38	JCRH5D18	2.2~100	2.30~0.35	39~1200	6.0x6.0x2.0	42

NO. 序號	Type 型號	Inductance 電感值 (μH)	Rated Current 額定電流 (A)	D. C. R 直流電阻 (MΩ)	Dimensions 尺寸 (mm)	Page 頁碼
39	JCRH5D28	2.5~680	2.60~0.18	18~4500	6.0x6.0x3.0	43
40	JCRH5D28C	1.80~1000	3.20~0.14	27~5800	7.4x6.4x3.3	44
41	JCRH5012	3.3~12	0.92~1.60	264~600	5.3x5.3x1.2	45
42	JCRH6D12	1.0~33.0	0.65~3.50	37.5~500	7.0x7.0x1.5	46
43	JCRH6D18	1.2~100	3.00~0.60	41~1800	7.0x7.0x2.0	47
44	JCRH6D28	1.5~200	4.80~0.35	24~900	7.0x7.0x3.0	48
45	JCRH6D28B	3.3~470	2.70~0.25	48~2800	8.2x7.3x3.2	49
46	JCRH6D38	1.0~150	5.60~0.60	16~483	7.0*7.0*4.0	50
47	JCRH6012	1.0~68	3.40~0.40	60~2101	6.3*6.3*2.0	51
48	JCRH6012HP	3.3~33	2.40~0.60	150~1200	6.3*6.3*2.0	52
49	JCRH7D15	2.2~33	3.40~0.90	53~500	7.3*7.3*1.5	53
50	JCRH7D18	2.2~22	3.60~1.30	60~403	7.3*7.3*1.8	54
51	JCRH7D20	2.2~33	3.80~1.10	42~380	7.3*7.3*2.0	55
52	JCRH7D23	2.2~33	3.80~1.10	42~380	7.3*7.3*2.3	56
53	JCRH7D25	2.2~100	4.40~0.70	53~1100	7.3*7.3*2.5	57
54	JCRH7D28	1.8~30	4.40~1.30	31~223	7.3*7.3*2.8	58
55	JCRH10D15	3.3~47	3.70~1.05	76~648	10.4*10.4*1.5	59
56	JCRH10D18	5.6~6.8	3.40~3.20	77~90	10.4*10.4*1.8	60
57	JCRH10D25	3.3~68	5.0~1.2	46~509	10.4*10.4*2.5	61
58	JCRH8R23	3.3~22	4.80~2.0	81~271	8.5*8.3*2.3	62
59	JCRH8R25	2.2~220	6.20~0.75	49~2420	8.5*8.3*2.5	63
60	JCRH8D28	2.2~200	4.50~0.50	26~970	8.3*8.3*3.0	64
61	JCRH8D28HP	3.3~68	4.50~1.35	35~520	8.3*8.3*3.0	65
62	JCRH8D38	1.8~100	7.00~1.05	16~410	8.3*8.3*4.0	66
63	JCRH8D43	2.0~100	7.00~1.30	20~408	8.3*8.3*4.5	67
64	JCRH8D43HP	1.2~68	12.6~1.60	17~363	8.3*8.3*4.5	68
65	JCRH8D58LD	2.8~100	4.70~0.80	16~182	8.3*8.3*6.0	69
66	JCRH72	10.0~100	0.3~1.20	280~720	7.3x8.0x2.6	70
67	JCRH73	10~1000	1.68~0.16	72~9440	7.5*7.5*3.4	71
68	JCRH74	10~1000	1.84~0.18	49~6000	7.5*7.5*4.5	72
69	JCRH103R	0.8~150	11.20~0.84	6~871	10.3*10.5*3.1	73
70	JCRH104R	1.5~471	7.50~0.60	8~1380	10.3*10.5*4.1	74
71	JCRH105R	0.8~1000	9.50~0.42	4~1989	10.3*10.5*5.1	75
72	JCRH124	3.9~330	6.50~0.50	15~990	12.3*12.3*4.5	76
73	JCRH125	1.3~820	8.00~0.40	12~1530	12.3*12.3*6.0	77
74	JCRH127	1.2~1000	9.80~0.55	7~1820	12.3*12.3*8.0	78
75	JCRH127LD	1.0~1000	14.0~0.70	7~1500	12.3*12.3*8.0	79
76	JCD32	2.2~220	1.39~0.14	95~5600	3.8*3.3*2.4	80

JCRH2D09A



Features/特點

*Excellent solderability and high heat resistance.

良好的可焊性和高耐熱性

*Suitable for a variety of DC/DC converters inductance.

Measuring frequency/測試頻率

*100KHz1V

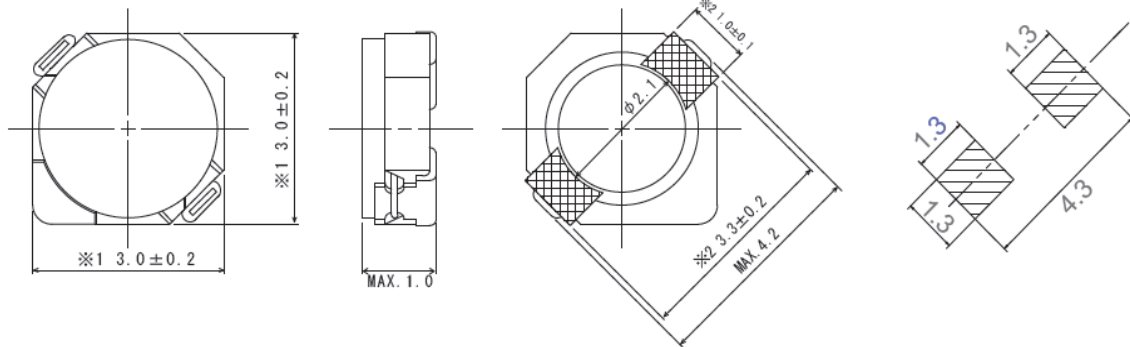
Description/說明

*Current Rating: Based on the largest decline in ICP to 35 percent and the temperature does not exceed 40 degrees.

額定電流: 基於電感量最大下降幅度為35%, 以及溫度上升不超過40°C.

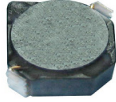
DIMENSIONS (mm) 外形尺寸

LAND PATTERNS(mm) 端子安裝尺寸



Type 型號	Indicate 表示	Inductance 電感值(μ H)	D.C.R(Max) 直流電阻 (m Ω)	Rated current(Max) 額定電流 (A)
JCRH2D09A-1R2	1R2	1.2 \pm 30%	75(62)	0.80
JCRH2D09A-1R5	1R5	1.5 \pm 30%	85(71)	0.70
JCRH2D09A-2R4	2R4	2.4 \pm 30%	114(95)	0.58
JCRH2D09A-3R3	3R3	3.3 \pm 30%	167(139)	0.50
JCRH2D09A-4R7	4R7	4.7 \pm 30%	200(167)	0.42
JCRH2D09A-6R4	6R4	6.4 \pm 25%	278(232)	0.36
JCRH2D09A-8R2	8R2	8.2 \pm 25%	350(290)	0.32
JCRH2D09A-100	100	10 \pm 25%	480(400)	0.30
JCRH2D09A-120	120	12 \pm 25%	520(440)	0.27
JCRH2D09A-150	150	15 \pm 25%	620(520)	0.24
JCRH2D09A-180	180	18 \pm 25%	730(610)	0.22
JCRH2D09A-220	220	22 \pm 25%	900(750)	0.20
JCRH2D09A-270	270	27 \pm 25%	1060(880)	0.16

JCRH2D11A



Features/特點

- *Excellent solderability and high heat resistance.
良好的可焊性和高耐熱性
- *Suitable for a variety of DC/DC converters inductance.

Measuring frequency/測試頻率

- *100KHz1V

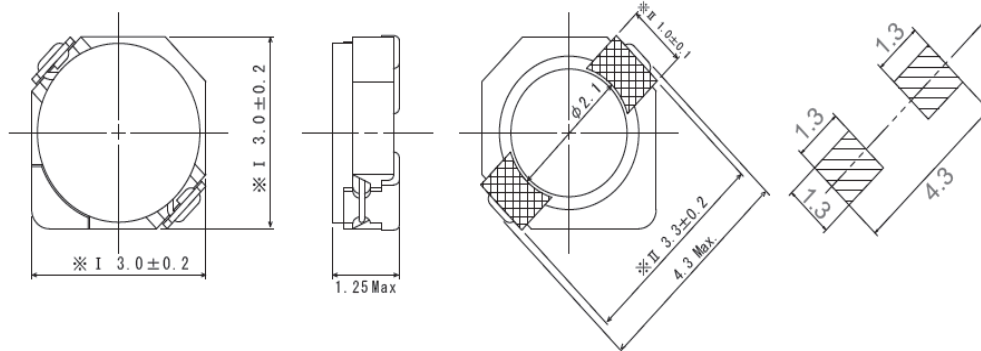
Description/說明

- *Current Rating: Based on the largest decline in ICP to 35 percent and the temperature does not exceed 40 degrees.

額定電流: 基於電感量最大下降幅度為35%, 以及溫度上升不超過40°C.

DIMENSIONS (mm) 外形尺寸

LAND PATTERNS(mm) 端子安裝尺寸



Type 型號	Indicate 表示	Inductance 電感值(μH)	D.C.R(Max) 直流電阻 (mΩ)	Rated current(Max) 額定電流 (A)
JCRH2D11A-1R5	1R5	1.5±30%	65(54)	0.90
JCRH2D11A-2R2	2R2	2.2±30%	94(78)	0.78
JCRH2D11A-3R3	3R3	3.3±30%	118(98)	0.60
JCRH2D11A-4R7	4R7	4.7±30%	162(135)	0.50
JCRH2D11A-6R8	6R8	6.8±25%	252(210)	0.44
JCRH2D11A-100	100	10±25%	384(320)	0.35
JCRH2D11A-150	150	15±25%	607(512)	0.28
JCRH2D11A-220	220	22±25%	800(666)	0.25
JCRH2D11A-330	330	33±25%	1510(1300)	0.20
JCRH2D11A-470	470	47±25%	1900(1560)	0.16
JCRH2D11A-101	101	100±25%	4800(3720)	0.12

JCRH2D11



Features/特點

*Excellent solderability and high heat resistance.

良好的可焊性和高耐熱性

*Suitable for a variety of DC/DC converters inductance.

Measuring frequency/測試頻率

*100KHz1V

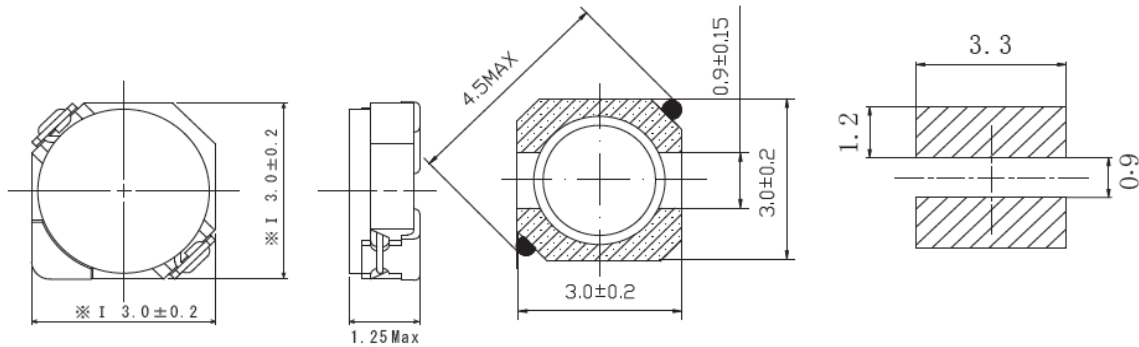
Description/說明

*Current Rating:Based on the largest decline in ICP to 35 percent and the temperature does not exceed 40 degrees.

額定電流:基於電感量最大下降幅度為35%,以及溫度上升不超過40°C.

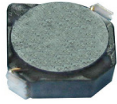
DIMENSIONS (mm) 外形尺寸

LAND PATTERNS(mm) 端子安裝尺寸



Type 型號	Indicate 表示	Inductance 電感值(μ H)	D.C.R(Max) 直流電阻 (m Ω)	Rated current(Max) 額定電流 (A)
JCRH2D11-1R5	1R5	1.5 \pm 30%	65(54)	0.90
JCRH2D11-2R2	2R2	2.2 \pm 30%	94(78)	0.78
JCRH2D11-3R3	3R3	3.3 \pm 30%	118(98)	0.60
JCRH2D11-4R7	4R7	4.7 \pm 30%	162(135)	0.50
JCRH2D11-6R8	6R8	6.8 \pm 25%	252(210)	0.44
JCRH2D11-100	100	10 \pm 25%	384(320)	0.35
JCRH2D11-150	150	15 \pm 25%	607(512)	0.28
JCRH2D11-220	220	22 \pm 25%	800(666)	0.25
JCRH2D11-330	330	33 \pm 25%	1510(1300)	0.20
JCRH2D11-470	470	47 \pm 25%	1900(1560)	0.16
JCRH2D11-101	101	100 \pm 25%	4800(3720)	0.12

JCRH2D11AHP



Features/特點

*Excellent solderability and high heat resistance.

良好的可焊性和高耐熱性

*Suitable for a variety of DC/DC converters inductance.

Measuring frequency/測試頻率

*100KHz1V

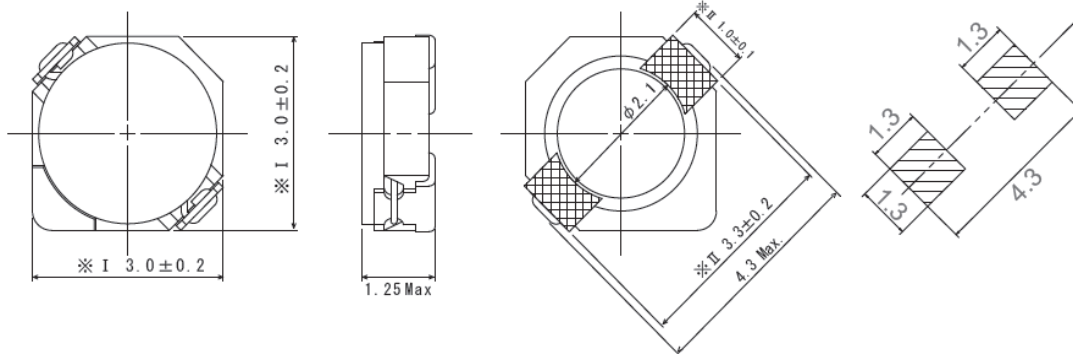
Description/說明

*Current Rating: Based on the largest decline in ICP to 35 percent and the temperature does not exceed 40 degrees.

額定電流: 基於電感量最大下降幅度為35%, 以及溫度上升不超過40°C.

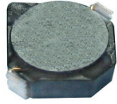
DIMENSIONS (mm) 外形尺寸

LAND PATTERNS(mm) 端子安裝尺寸



Type 型號	Indicate 表示	Inductance 電感值(μH)	D.C.R(Max) 直流電阻 (mΩ)	Rated current(Max) 額定電流 (A)
JCRH2D11AHP-1R5	1R5	1.5±30%	80(64)	1.35
JCRH2D11AHP-2R2	2R2	2.2±30%	120(96)	1.10
JCRH2D11AHP-3R3	3R3	3.3±30%	135(108)	0.90
JCRH2D11AHP-4R7	4R7	4.7±30%	238(190)	0.75
JCRH2D11AHP-6R8	6R8	6.8±25%	371(297)	0.63
JCRH2D11AHP-100	100	10±25%	536(396)	0.52
JCRH2D11AHP-150	150	15±25%	1000(800)	0.45
JCRH2D11AHP-220	220	22±25%	1680(1300)	0.43

JCRH2D11HP



Features/特點

- *Excellent solderability and high heat resistance.
良好的可焊性和高耐熱性
- *Suitable for a variety of DC/DC converters inductance.

Measuring frequency/測試頻率

- *100KHz1V

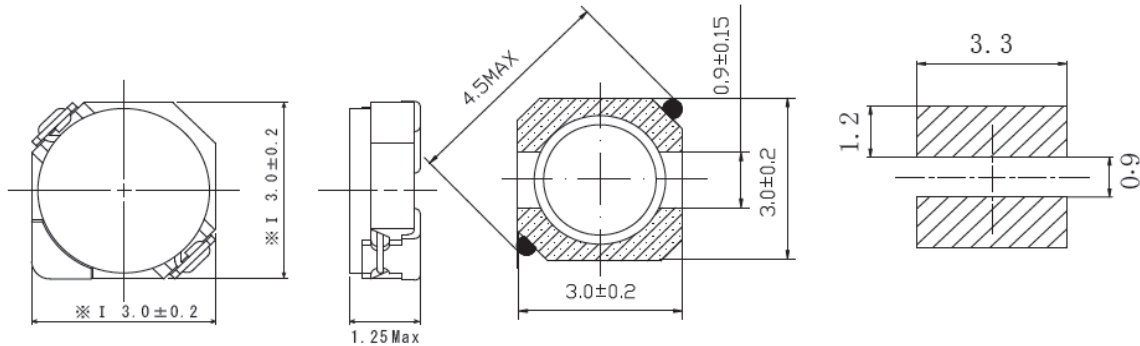
Description/說明

- *Current Rating: Based on the largest decline in ICP to 35 percent and the temperature does not exceed 40 degrees.

額定電流: 基於電感量最大下降幅度為35%, 以及溫度上升不超過40°C.

DIMENSIONS (mm) 外形尺寸

LAND PATTERNS(mm) 端子安裝尺寸



Type 型號	Indicate 表示	Inductance 電感值(μH)	D.C.R(Max) 直流電阻 (mΩ)	Rated current(Max) 額定電流 (A)
JCRH2D11HP-1R5	1R5	1.5±30%	80(64)	1.35
JCRH2D11HP-2R2	2R2	2.2±30%	120(96)	1.10
JCRH2D11HP-3R3	3R3	3.3±30%	135(108)	0.90
JCRH2D11HP-4R7	4R7	4.7±30%	238(190)	0.75
JCRH2D11HP-6R8	6R8	6.8±25%	371(297)	0.63
JCRH2D11HP-100	100	10±25%	536(396)	0.52
JCRH2D11HP-150	150	15±25%	1000(800)	0.45
JCRH2D11HP-220	220	22±25%	1680(1300)	0.43

JCRH2D14A



Features/特點

- *Excellent solderability and high heat resistance.
良好的可焊性和高耐熱性
- *Suitable for a variety of DC/DC converters inductance.

Measuring frequency/測試頻率

- *100KHz1V

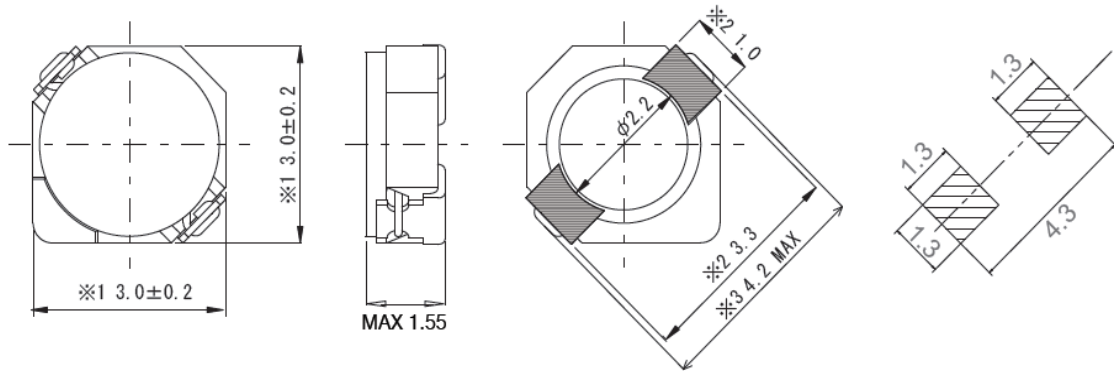
Description/說明

- *Current Rating: Based on the largest decline in ICP to 35 percent and the temperature does not exceed 40 degrees.

額定電流:基於電感量最大下降幅度為35%,以及溫度上升不超過40°C.

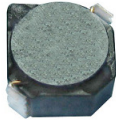
DIMENSIONS (mm) 外形尺寸

LAND PATTERNS(mm) 端子安裝尺寸



Type 型號	Indicate 表示	Inductance 電感值(μH)	D.C.R(Max) 直流電阻 (mΩ)	Rated current(Max) 額定電流 (A)
JCRH2D14A-1R5	1R5	1.5±30%	63(50)	1.80
JCRH2D14A-1R8	1R8	1.8±30%	75(60)	1.65
JCRH2D14A-2R2	2R2	2.2±30%	94(75)	1.50
JCRH2D14A-2R7	2R7	2.7±30%	106(85)	1.35
JCRH2D14A-3R3	3R3	3.3±30%	125(100)	1.20
JCRH2D14A-3R9	3R9	3.9±30%	138(110)	1.10
JCRH2D14A-4R7	4R7	4.7±30%	169(135)	1.00
JCRH2D14A-5R6	5R6	5.6±25%	188(150)	0.95
JCRH2D14A-6R8	6R8	6.8±25%	213(170)	0.85
JCRH2D14A-8R2	8R2	8.2±25%	281(225)	0.80
JCRH2D14A-100	100	10±25%	294(235)	0.70
JCRH2D14A-120	120	12±25%	394(315)	0.62
JCRH2D14A-220	220	22±25%	740(690)	0.42
JCRH2D14A-330	330	33±25%	1200(890)	0.40
JCRH2D14A-470	470	47±25%	1800(1390)	0.36
JCRH2D14A-101	101	100±25%	5350(4160)	0.22

JCRH2D14



Features/特點

- *Excellent solderability and high heat resistance.
良好的可焊性和高耐熱性
- *Suitable for a variety of DC/DC converters inductance.

Measuring frequency/測試頻率

- *100KHz1V

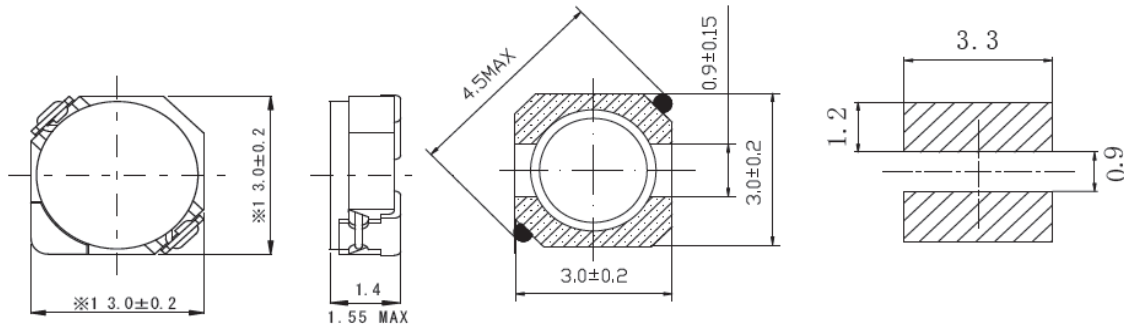
Description/說明

- *Current Rating: Based on the largest decline in ICP to 35 percent and the temperature does not exceed 40 degrees.

額定電流: 基於電感量最大下降幅度為35%, 以及溫度上升不超過40°C.

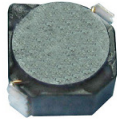
DIMENSIONS (mm) 外形尺寸

LAND PATTERNS(mm) 端子安裝尺寸



Type 型號	Indicate 表示	Inductance 電感值(μH)	D.C.R(Max) 直流電阻 (mΩ)	Rated current(Max) 額定電流 (A)
JCRH2D14-1R5	1R5	1.5±30%	63(50)	1.80
JCRH2D14-1R8	1R8	1.8±30%	75(60)	1.65
JCRH2D14-2R2	2R2	2.2±30%	94(75)	1.50
JCRH2D14-2R7	2R7	2.7±30%	106(85)	1.35
JCRH2D14-3R3	3R3	3.3±30%	125(100)	1.20
JCRH2D14-3R9	3R9	3.9±30%	138(110)	1.10
JCRH2D14-4R7	4R7	4.7±30%	169(135)	1.00
JCRH2D14-5R6	5R6	5.6±25%	188(150)	0.95
JCRH2D14-6R8	6R8	6.8±25%	213(170)	0.85
JCRH2D14-8R2	8R2	8.2±25%	281(225)	0.80
JCRH2D14-100	100	10±25%	294(235)	0.70
JCRH2D14-120	120	12±25%	394(315)	0.62
JCRH2D14-220	220	22±25%	740(690)	0.42
JCRH2D14-330	330	33±25%	1200(890)	0.40
JCRH2D14-470	470	47±25%	1800(1390)	0.36
JCRH2D14-101	101	100±25%	5350(4160)	0.22

JCRH2D18ALD



Features/特點

- *Excellent solderability and high heat resistance.
良好的可焊性和高耐熱性
- *Suitable for a variety of DC/DC converters inductance.

Measuring frequency/測試頻率

- *100KHz1V

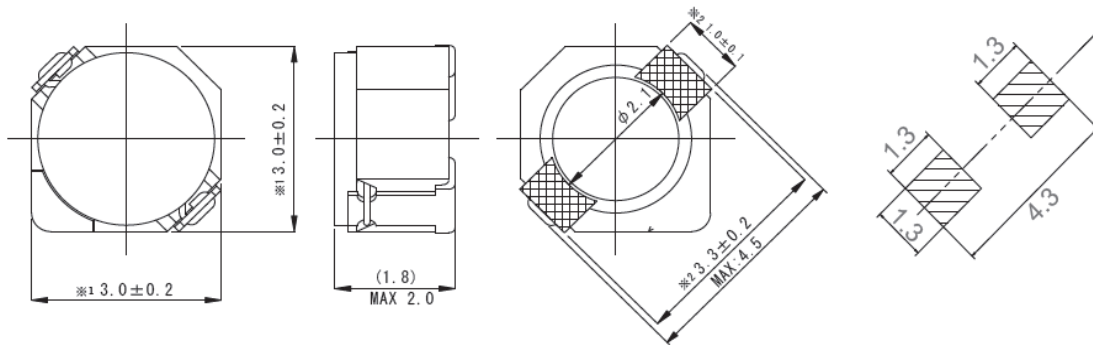
Description/說明

*Current Rating: Based on the largest decline in ICP to 35 percent and the temperature does not exceed 40 degrees.

額定電流: 基於電感量最大下降幅度為35%, 以及溫度上升不超過40°C.

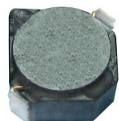
DIMENSIONS (mm) 外形尺寸

LAND PATTERNS(mm) 端子安裝尺寸



Type 型號	Indicate 表示	Inductance 電感值(μ H)	D.C.R(Max) 直流電阻 (m Ω)	Rated current(Max) 額定電流 (A)
JCRH2D18ALD-1R5	1R5	1.5 \pm 30%	48(34)	1.10
JCRH2D18ALD-2R2	2R2	2.2 \pm 30%	53(41)	0.85
JCRH2D18ALD-3R3	3R3	3.3 \pm 30%	54(49)	0.75
JCRH2D18ALD-4R7	4R7	4.7 \pm 30%	111(77)	0.63
JCRH2D18ALD-6R8	6R8	6.8 \pm 25%	128(95)	0.52
JCRH2D18ALD-100	100	10 \pm 25%	180(145)	0.43
JCRH2D18ALD-150	150	15 \pm 25%	220(175)	0.35
JCRH2D18ALD-220	220	22 \pm 25%	320(278)	0.30
JCRH2D18ALD-330	330	33 \pm 25%	460(370)	0.24
JCRH2D18ALD-470	470	47 \pm 25%	660(530)	0.20

JCRH2D18LD



Features/特點

- *Excellent solderability and high heat resistance.
良好的可焊性和高耐熱性
- *Suitable for a variety of DC/DC converters inductance.

Measuring frequency/測試頻率

- *100KHz1V

Description/說明

*Current Rating: Based on the largest decline in ICP to 35 percent and the temperature does not exceed 40 degrees.

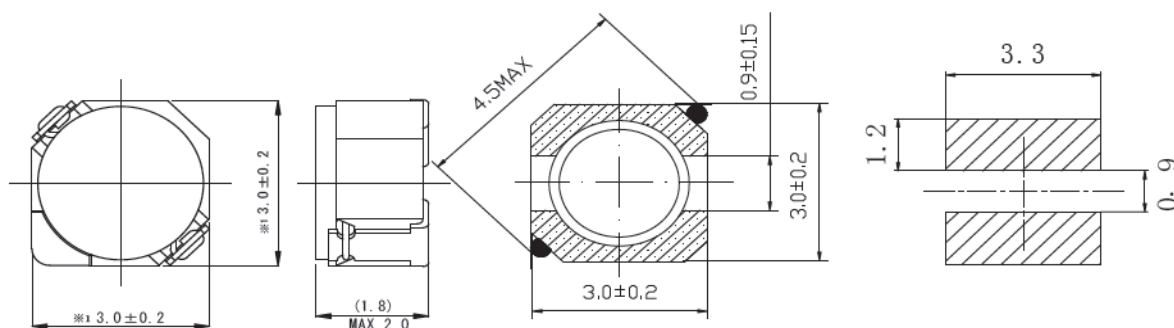
額定電流: 基於電感量最大下降幅度為35%, 以及溫度上升不超過40°C.

DIMENSIONS (mm)

外形尺寸

LAND PATTERNS(mm)

端子安裝尺寸



Type 型號	Indicate 表示	Inductance 電感值(μ H)	D.C.R(Max) 直流電阻 (m Ω)	Rated current(Max) 額定電流 (A)
JCRH2D18LD-1R5	1R5	1.5 \pm 30%	48(34)	1.10
JCRH2D18LD-2R2	2R2	2.2 \pm 30%	53(41)	0.85
JCRH2D18LD-3R3	3R3	3.3 \pm 30%	54(49)	0.75
JCRH2D18LD-4R7	4R7	4.7 \pm 30%	111(77)	0.63
JCRH2D18LD-6R8	6R8	6.8 \pm 25%	128(95)	0.52
JCRH2D18LD-100	100	10 \pm 25%	180(145)	0.43
JCRH2D18LD-150	150	15 \pm 25%	220(175)	0.35
JCRH2D18LD-220	220	22 \pm 25%	320(278)	0.30
JCRH2D18LD-330	330	33 \pm 25%	460(370)	0.24
JCRH2D18LD-470	470	47 \pm 25%	660(530)	0.20

JCRH2D18AHP



Features/特點

- *Excellent solderability and high heat resistance.
良好的可焊性和高耐熱性
- *Suitable for a variety of DC/DC converters inductance.

Measuring frequency/測試頻率

- *100KHz1V

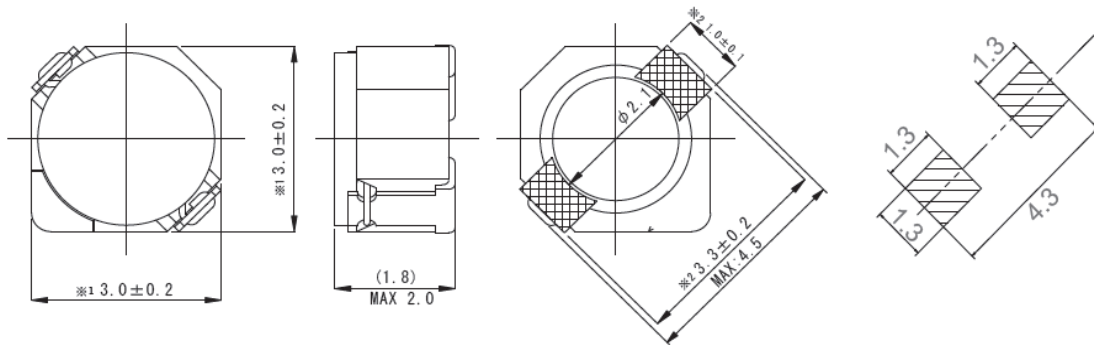
Description/說明

*Current Rating: Based on the largest decline in ICP to 35 percent and the temperature does not exceed 40 degrees.

額定電流: 基於電感量最大下降幅度為35%, 以及溫度上升不超過40°C.

DIMENSIONS (mm) 外形尺寸

LAND PATTERNS(mm) 端子安裝尺寸



Type 型號	Indicate 表示	Inductance 電感值(μH)	D.C.R(Max) 直流電阻 (mΩ)	Rated current(Max) 額定電流 (A)
JCRH2D18AHP-1R7	1R7	1.7±30%	44(35)	1.85
JCRH2D18AHP-2R2	2R2	2.2±30%	60(48)	1.60
JCRH2D18AHP-3R3	3R3	3.3±30%	86(69)	1.45
JCRH2D18AHP-4R7	4R7	4.7±30%	140(110)	1.20
JCRH2D18AHP-6R3	6R3	6.3±25%	160(128)	1.05
JCRH2D18AHP-100	100	10±25%	245(195)	0.85
JCRH2D18AHP-150	150	15±25%	345(275)	0.70

JCRH2D18HP



Features/特點

- *Excellent solderability and high heat resistance.
良好的可焊性和高耐熱性
- *Suitable for a variety of DC/DC converters inductance.

Measuring frequency/測試頻率

- *100KHz1V

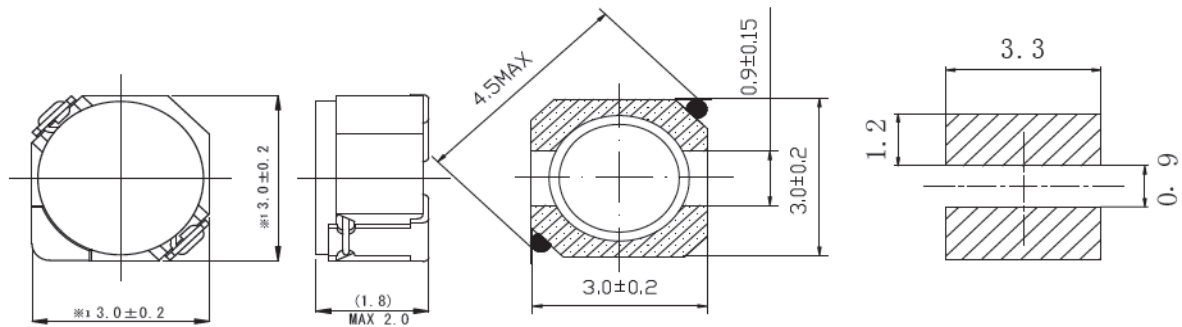
Description/說明

*Current Rating: Based on the largest decline in ICP to 35 percent and the temperature does not exceed 40 degrees.

額定電流: 基於電感量最大下降幅度為35%, 以及溫度上升不超過40°C.

DIMENSIONS (mm) 外形尺寸

LAND PATTERNS(mm) 端子安裝尺寸



Type 型號	Indicate 表示	Inductance 電感值(μ H)	D.C.R(Max) 直流電阻 (m Ω)	Rated current(Max) 額定電流 (A)
JCRH2D18HP-1R7	1R7	1.7 \pm 30%	44(35)	1.85
JCRH2D18HP-2R2	2R2	2.2 \pm 30%	60(48)	1.60
JCRH2D18HP-3R3	3R3	3.3 \pm 30%	86(69)	1.45
JCRH2D18HP-4R7	4R7	4.7 \pm 30%	140(110)	1.20
JCRH2D18HP-6R3	6R3	6.3 \pm 25%	160(128)	1.05
JCRH2D18HP-100	100	10 \pm 25%	245(195)	0.85
JCRH2D18HP-150	150	15 \pm 25%	345(275)	0.70

JCRH3D11A



Features/特點

- *Excellent solderability and high heat resistance.
良好的可焊性和高耐熱性
- *Suitable for a variety of DC/DC converters inductance.

Measuring frequency/測試頻率

- *100KHz1V

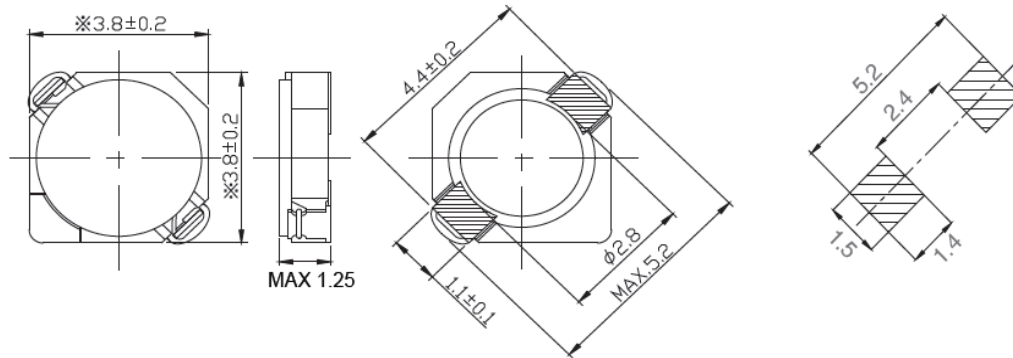
Description/說明

- *Current Rating: Based on the largest decline in ICP to 35 percent and the temperature does not exceed 40 degrees.

額定電流: 基於電感量最大下降幅度為35%, 以及溫度上升不超過40°C.

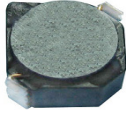
DIMENSIONS (mm) 外形尺寸

LAND PATTERNS(mm) 端子安裝尺寸



Type 型號	Indicate 表示	Inductance 電感值(μH)	D.C.R(Max) 直流電阻 (mΩ)	Rated current(Max) 額定電流 (A)
JCRH3D11A-2R2	2R2	2.2±30%	87(73)	0.80
JCRH3D11A-3R3	3R3	3.3±30%	118(86)	0.65
JCRH3D11A-4R7	4R7	4.7±30%	123(95)	0.60
JCRH3D11A-6R8	6R8	6.8±25%	180(150)	0.45
JCRH3D11A-8R2	8R2	8.2±25%	204(170)	0.32
JCRH3D11A-100	100	10±25%	240(220)	0.30
JCRH3D11A-120	120	12±25%	276(230)	0.25
JCRH3D11A-150	150	15±25%	372(310)	0.23
JCRH3D11A-180	180	18±25%	468(390)	0.20
JCRH3D11A-220	220	22±25%	540(450)	0.19
JCRH3D11A-270	270	27±25%	726(605)	0.17
JCRH3D11A-330	330	33±25%	822(685)	0.15
JCRH3D11A-390	390	39±25%	942(785)	0.14
JCRH3D11A-101	101	100±25%	3200(2444)	0.12
JCRH3D11A-221	221	220±25%	5500(4200)	0.08
JCRH3D11A-331	331	330±25%	9000(7000)	0.06

JCRH3D11



Features/特點

- *Excellent solderability and high heat resistance.
良好的可焊性和高耐熱性
- *Suitable for a variety of DC/DC converters inductance.

Measuring frequency/測試頻率

- *100KHz1V

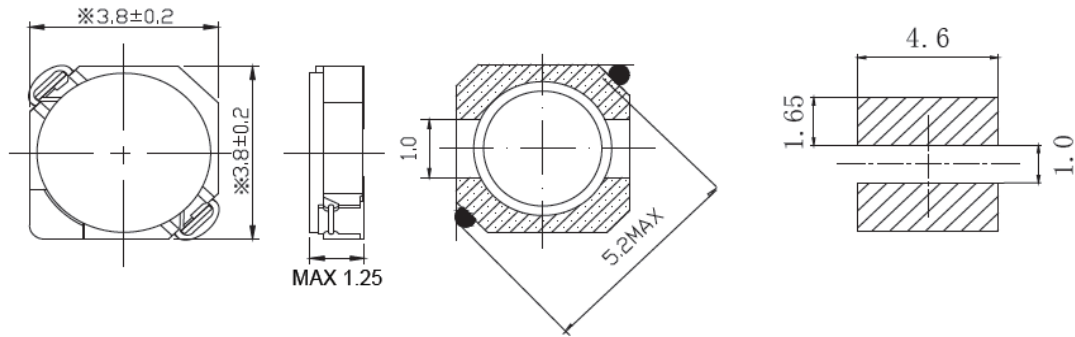
Description/說明

*Current Rating: Based on the largest decline in ICP to 35 percent and the temperature does not exceed 40 degrees.

額定電流: 基於電感量最大下降幅度為35%, 以及溫度上升不超過40°C.

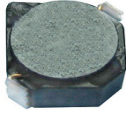
DIMENSIONS (mm) 外形尺寸

LAND PATTERNS(mm) 端子安裝尺寸



Type 型號	Indicate 表示	Inductance 電感值(μH)	D.C.R(Max) 直流電阻 (mΩ)	Rated current(Max) 額定電流 (A)
JCRH3D11-2R2	2R2	2.2±30%	87(73)	0.80
JCRH3D11-3R3	3R3	3.3±30%	118(86)	0.65
JCRH3D11-4R7	4R7	4.7±30%	123(95)	0.60
JCRH3D11-6R8	6R8	6.8±25%	180(150)	0.45
JCRH3D11-8R2	8R2	8.2±25%	204(170)	0.32
JCRH3D11-100	100	10±25%	240(220)	0.30
JCRH3D11-120	120	12±25%	276(230)	0.25
JCRH3D11-150	150	15±25%	372(310)	0.23
JCRH3D11-180	180	18±25%	468(390)	0.20
JCRH3D11-220	220	22±25%	540(450)	0.19
JCRH3D11-270	270	27±25%	726(605)	0.17
JCRH3D11-330	330	33±25%	822(685)	0.15
JCRH3D11-390	390	39±25%	942(785)	0.14
JCRH3D11-101	101	100±25%	3200(2444)	0.12
JCRH3D11-221	221	220±25%	5500(4200)	0.08
JCRH3D11-331	331	330±25%	9000(7000)	0.06

JCRH3D11AHP



Features/特點

- *Excellent solderability and high heat resistance.
良好的可焊性和高耐熱性
- *Suitable for a variety of DC/DC converters inductance.

Measuring frequency/測試頻率

- *100KHz1V

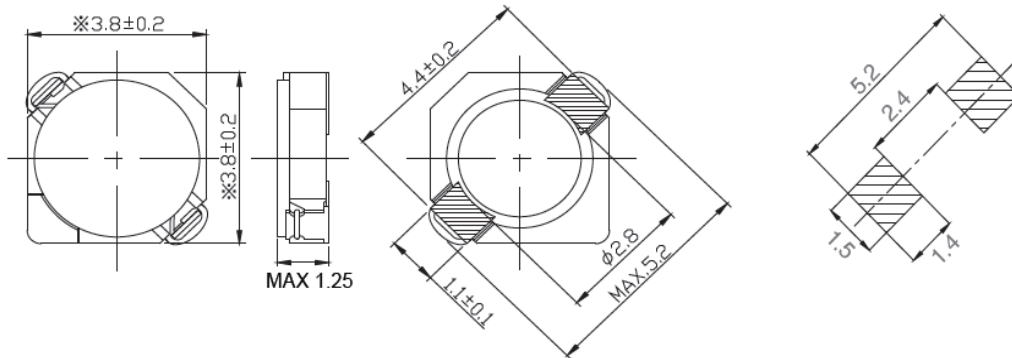
Description/說明

- *Current Rating: Based on the largest decline in ICP to 35 percent and the temperature does not exceed 40 degrees.

額定電流: 基於電感量最大下降幅度為35%, 以及溫度上升不超過40°C.

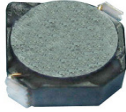
DIMENSIONS (mm) 外形尺寸

LAND PATTERNS(mm) 端子安裝尺寸



Type 型號	Indicate 表示	Inductance 電感值(μH)	D.C.R(Max) 直流電阻 (mΩ)	Rated current(Max) 額定電流 (A)
JCRH3D11AHP-1R5	1R5	1.5±30%	100(80)	1.45
JCRH3D11AHP-2R7	2R7	2.7±30%	125(100)	1.30
JCRH3D11AHP-3R6	3R6	3.6±30%	168(135)	1.00
JCRH3D11AHP-4R7	4R7	4.7±30%	200(160)	0.90
JCRH3D11AHP-6R5	6R5	6.5±25%	275(220)	0.80
JCRH3D11AHP-100	100	10±25%	360(280)	0.70
JCRH3D11AHP-120	120	12±25%	400(320)	0.65
JCRH3D11AHP-150	150	15±25%	550(440)	0.55
JCRH3D11AHP-180	180	18±25%	706(565)	0.47
JCRH3D11AHP-220	220	22±25%	925(740)	0.38

JCRH3D11HP



Features/特點

- *Excellent solderability and high heat resistance.
良好的可焊性和高耐熱性
- *Suitable for a variety of DC/DC converters inductance.

Measuring frequency/測試頻率

- *100KHz1V

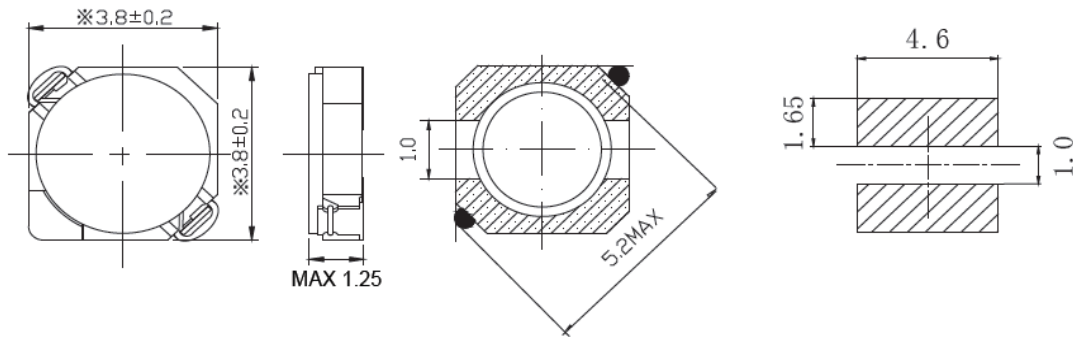
Description/說明

- *Current Rating: Based on the largest decline in ICP to 35 percent and the temperature does not exceed 40 degrees.

額定電流: 基於電感量最大下降幅度為35%, 以及溫度上升不超過40°C.

DIMENSIONS (mm) 外形尺寸

LAND PATTERNS(mm) 端子安裝尺寸



Type 型號	Indicate 表示	Inductance 電感值(μH)	D.C.R(Max) 直流電阻 (mΩ)	Rated current(Max) 額定電流 (A)
JCRH3D11HP-1R5	1R5	1.5±30%	100(80)	1.45
JCRH3D11HP-2R7	2R7	2.7±30%	125(100)	1.30
JCRH3D11HP-3R6	3R6	3.6±30%	168(135)	1.00
JCRH3D11HP-4R7	4R7	4.7±30%	200(160)	0.90
JCRH3D11HP-6R5	6R5	6.5±25%	275(220)	0.80
JCRH3D11HP-100	100	10±25%	360(280)	0.70
JCRH3D11HP-120	120	12±25%	400(320)	0.65
JCRH3D11HP-150	150	15±25%	550(440)	0.55
JCRH3D11HP-180	180	18±25%	706(565)	0.47
JCRH3D11HP-220	220	22±25%	925(740)	0.38

JCRH3D14A



Features/特點

- *Excellent solderability and high heat resistance.
良好的可焊性和高耐熱性
- *Suitable for a variety of DC/DC converters inductance.

Measuring frequency/測試頻率

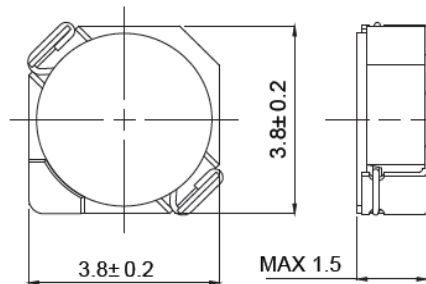
- *100KHz1V

Description/說明

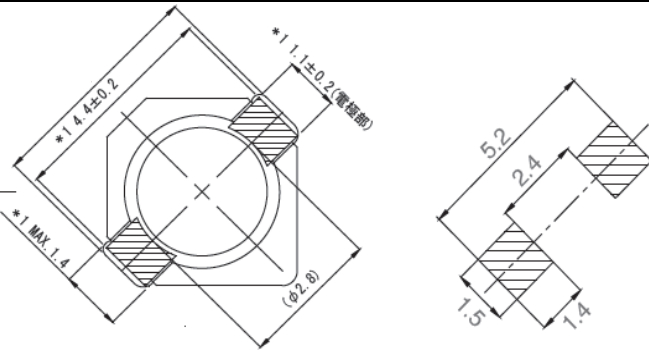
- *Current Rating: Based on the largest decline in ICP to 35 percent and the temperature does not exceed 40 degrees.

額定電流: 基於電感量最大下降幅度為35%, 以及溫度上升不超過40°C.

DIMENSIONS (mm) 外形尺寸



LAND PATTERNS(mm) 端子安裝尺寸



Type 型號	Indicate 表示	Inductance 電感值(μH)	D.C.R(Max) 直流電阻 (mΩ)	Rated current(Max) 額定電流 (A)
JCRH3D14A-1R2	1R2	1.2±30%	45(36)	2.15
JCRH3D14A-1R7	1R7	1.7±30%	63(50)	1.85
JCRH3D14A-2R2	2R2	2.2±30%	69(65)	1.60
JCRH3D14A-2R7	2R7	2.7±30%	88(70)	1.45
JCRH3D14A-3R9	3R9	3.9±30%	100(80)	1.35
JCRH3D14A-4R7	4R7	4.7±30%	135(110)	1.15
JCRH3D14A-8R2	8R2	8.2±25%	150(120)	0.82
JCRH3D14A-100	100	10±25%	238(190)	0.75
JCRH3D14A-120	120	12±25%	350(280)	0.67
JCRH3D14A-150	150	15±25%	600(462)	0.60
JCRH3D14A-220	220	22±25%	675(493)	0.52

JCRH3D14



Features/特點

- *Excellent solderability and high heat resistance.
良好的可焊性和高耐熱性
- *Suitable for a variety of DC/DC converters inductance.

Measuring frequency/測試頻率

- *100KHz1V

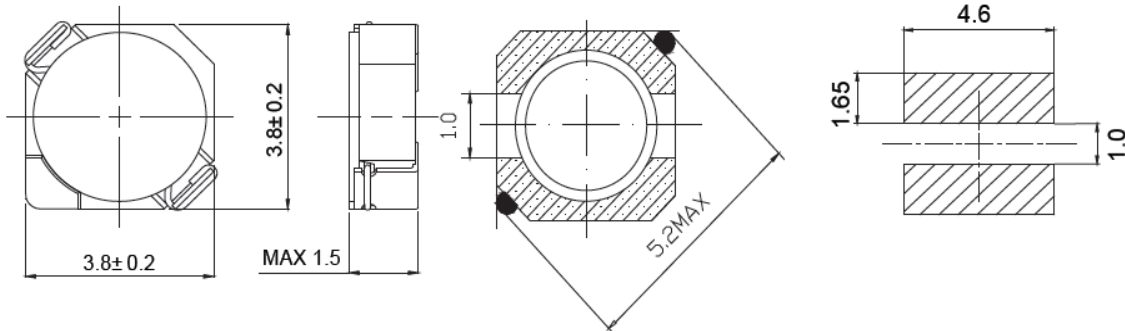
Description/說明

- *Current Rating: Based on the largest decline in ICP to 35 percent and the temperature does not exceed 40 degrees.

額定電流: 基於電感量最大下降幅度為35%, 以及溫度上升不超過40°C.

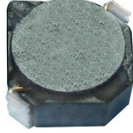
DIMENSIONS (mm) 外形尺寸

LAND PATTERNS(mm) 端子安裝尺寸



Type 型號	Indicate 表示	Inductance 電感值(μH)	D.C.R(Max) 直流電阻 (mΩ)	Rated current(Max) 額定電流 (A)
JCRH3D14-1R2	1R2	1.2±30%	45(36)	2.15
JCRH3D14-1R7	1R7	1.7±30%	63(50)	1.85
JCRH3D14-2R2	2R2	2.2±30%	69(65)	1.60
JCRH3D14-2R7	2R7	2.7±30%	88(70)	1.45
JCRH3D14-3R9	3R9	3.9±30%	100(80)	1.35
JCRH3D14-4R7	4R7	4.7±30%	135(110)	1.15
JCRH3D14-8R2	8R2	8.2±25%	150(120)	0.82
JCRH3D14-100	100	10±25%	238(190)	0.75
JCRH3D14-120	120	12±25%	350(280)	0.67
JCRH3D14-150	150	15±25%	600(462)	0.60
JCRH3D14-220	220	22±25%	675(493)	0.52

JCRH3D14ALD



Features/特點

- *Excellent solderability and high heat resistance.
良好的可焊性和高耐熱性
- *Suitable for a variety of DC/DC converters inductance.

Measuring frequency/測試頻率

- *100KHz1V

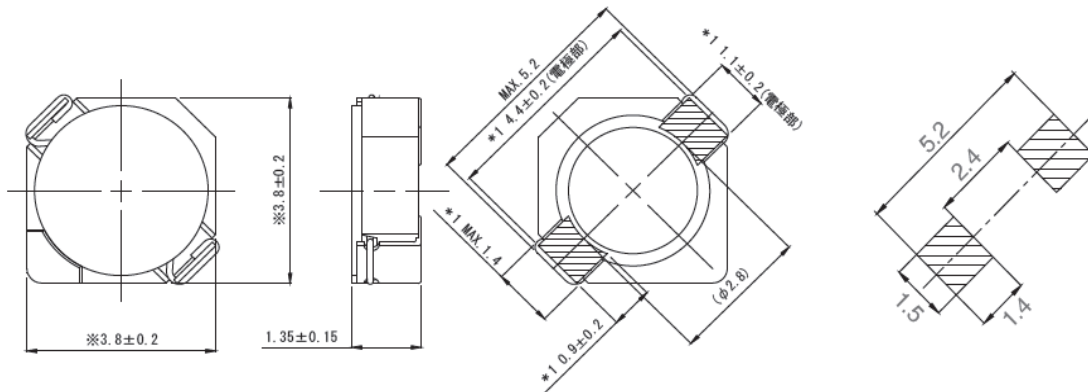
Description/說明

- *Current Rating: Based on the largest decline in ICP to 35 percent and the temperature does not exceed 40 degrees.

額定電流: 基於電感量最大下降幅度為35%, 以及溫度上升不超過40°C.

DIMENSIONS (mm) 外形尺寸

LAND PATTERNS(mm) 端子安裝尺寸



Type 型號	Indicate 表示	Inductance 電感值(μH)	D.C.R(Max) 直流電阻 (mΩ)	Rated current(Max) 額定電流 (A)
JCRH3D14ALD-1R2	1R2	1.2±30%	38(30)	1.50
JCRH3D14ALD-1R5	1R5	1.5±30%	48(38)	1.30
JCRH3D14ALD-2R0	2R0	2.0±30%	55(44)	1.15
JCRH3D14ALD-2R5	2R5	2.5±30%	68(54)	1.05
JCRH3D14ALD-3R0	3R0	3.0±30%	77(62)	0.95
JCRH3D14ALD-3R9	3R9	3.9±30%	96(77)	0.80
JCRH3D14ALD-4R5	4R5	4.5±30%	105(84)	0.75
JCRH3D14ALD-5R6	5R6	5.6±25%	159(127)	0.70
JCRH3D14ALD-6R8	6R8	6.8±25%	173(138)	0.60
JCRH3D14ALD-100	100	10±25%	220(176)	0.50
JCRH3D14ALD-120	120	12±25%	270(216)	0.45
JCRH3D14ALD-150	150	15±25%	302(242)	0.40
JCRH3D14ALD-220	220	22±25%	447(358)	0.35
JCRH3D14ALD-330	330	33±25%	848(679)	0.30
JCRH3D14ALD-470	470	47±25%	1078(863)	0.25

JCRH3D14LD



Features/特點

*Excellent solderability and high heat resistance.

良好的可焊性和高耐熱性

*Suitable for a variety of DC/DC converters inductance.

Measuring frequency/測試頻率

*100KHz1V

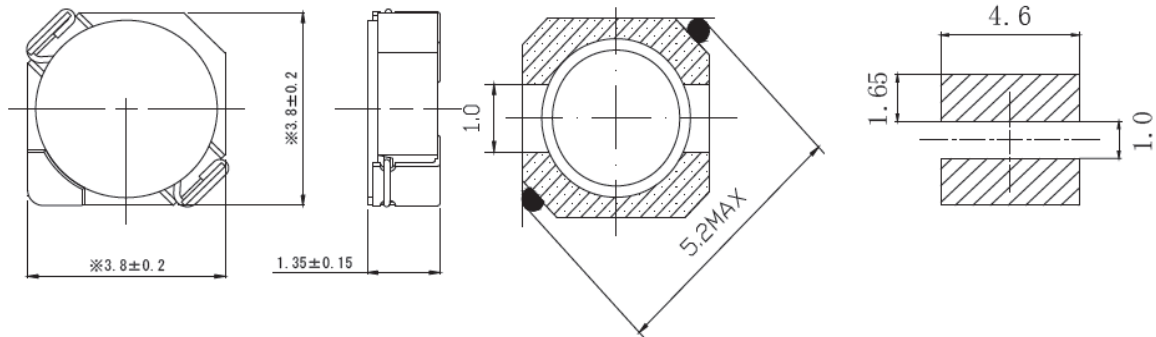
Description/說明

*Current Rating: Based on the largest decline in ICP to 35 percent and the temperature does not exceed 40 degrees.

額定電流: 基於電感量最大下降幅度為35%, 以及溫度上升不超過40°C.

DIMENSIONS (mm) 外形尺寸

LAND PATTERNS(mm) 端子安裝尺寸



Type 型號	Indicate 表示	Inductance 電感值(μ H)	D.C.R(Max) 直流電阻 (m Ω)	Rated current(Max) 額定電流 (A)
JCRH3D14LD-1R2	1R2	1.2 \pm 30%	38(30)	1.50
JCRH3D14LD-1R5	1R5	1.5 \pm 30%	48(38)	1.30
JCRH3D14LD-2R0	2R0	2.0 \pm 30%	55(44)	1.15
JCRH3D14LD-2R5	2R5	2.5 \pm 30%	68(54)	1.05
JCRH3D14LD-3R0	3R0	3.0 \pm 30%	77(62)	0.95
JCRH3D14LD-3R9	3R9	3.9 \pm 30%	96(77)	0.80
JCRH3D14LD-4R5	4R5	4.5 \pm 30%	105(84)	0.75
JCRH3D14LD-5R6	5R6	5.6 \pm 25%	159(127)	0.70
JCRH3D14LD-6R8	6R8	6.8 \pm 25%	173(138)	0.60
JCRH3D14LD-100	100	10 \pm 25%	220(176)	0.50
JCRH3D14LD-120	120	12 \pm 25%	270(216)	0.45
JCRH3D14LD-150	150	15 \pm 25%	302(242)	0.40
JCRH3D14LD-220	220	22 \pm 25%	447(358)	0.35
JCRH3D14LD-330	330	33 \pm 25%	848(679)	0.30
JCRH3D14LD-470	470	47 \pm 25%	1078(863)	0.25

JCRH3D14AHP



Features/特點

- *Excellent solderability and high heat resistance.
良好的可焊性和高耐熱性
- *Suitable for a variety of DC/DC converters inductance.

Measuring frequency/測試頻率

- *100KHz1V

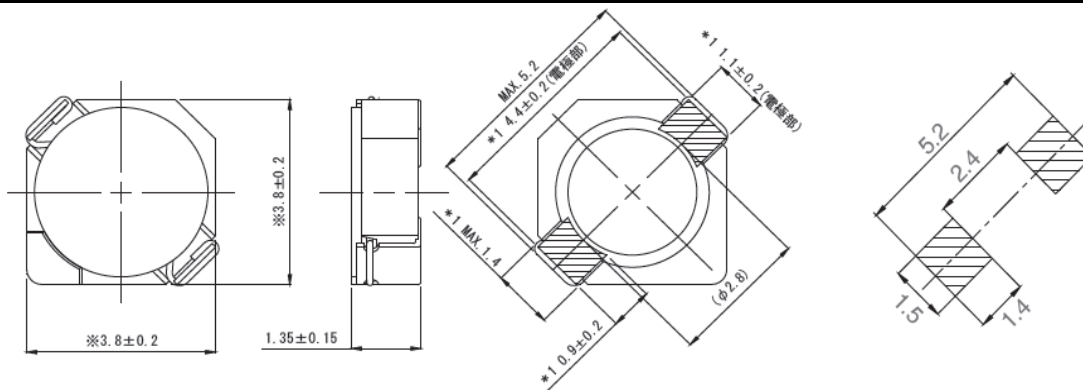
Description/說明

- *Current Rating: Based on the largest decline in ICP to 35 percent and the temperature does not exceed 40 degrees.

額定電流: 基於電感量最大下降幅度為35%, 以及溫度上升不超過40°C.

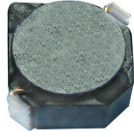
DIMENSIONS (mm) 外形尺寸

LAND PATTERNS(mm) 端子安裝尺寸



Type 型號	Indicate 表示	Inductance 電感值(μH)	D.C.R(Max) 直流電阻 (mΩ)	Rated current(Max) 額定電流 (A)
JCRH3D14AHP-1R5	1R5	1.5±30%	76(61)	2.60
JCRH3D14AHP-2R4	2R4	2.4±30%	129(103)	2.00
JCRH3D14AHP-3R2	3R2	3.2±30%	139(111)	1.80
JCRH3D14AHP-4R7	4R7	4.7±30%	214(171)	1.45
JCRH3D14AHP-6R8	6R8	6.8±25%	290(232)	1.20
JCRH3D14AHP-100	100	10±25%	440(352)	1.00
JCRH3D14AHP-150	150	15±25%	650(521)	0.80
JCRH3D14AHP-220	220	22±25%	830(666)	0.65

JCRH3D14HP



Features/特點

*Excellent solderability and high heat resistance.

良好的可焊性和高耐熱性

*Suitable for a variety of DC/DC converters inductance.

Measuring frequency/測試頻率

*100KHz1V

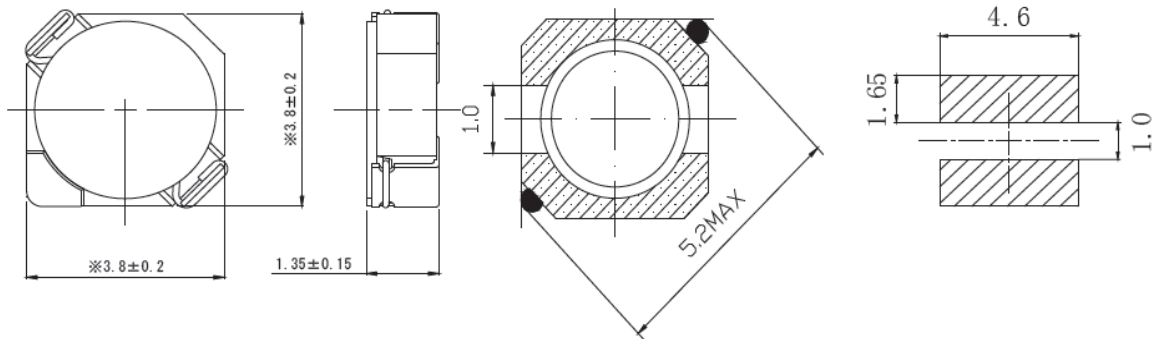
Description/說明

*Current Rating: Based on the largest decline in ICP to 35 percent and the temperature does not exceed 40 degrees.

額定電流: 基於電感量最大下降幅度為35%, 以及溫度上升不超過40°C.

DIMENSIONS (mm) 外形尺寸

LAND PATTERNS(mm) 端子安裝尺寸



Type 型號	Indicate 表示	Inductance 電感值(μH)	D.C.R(Max) 直流電阻 (mΩ)	Rated current(Max) 額定電流 (A)
JCRH3D14HP-1R5	1R5	1.5±30%	76(61)	2.60
JCRH3D14HP-2R4	2R4	2.4±30%	129(103)	2.00
JCRH3D14HP-3R2	3R2	3.2±30%	139(111)	1.80
JCRH3D14HP-4R7	4R7	4.7±30%	214(171)	1.45
JCRH3D14HP-6R8	6R8	6.8±25%	290(232)	1.20
JCRH3D14HP-100	100	10±25%	440(352)	1.00
JCRH3D14HP-150	150	15±25%	650(521)	0.80
JCRH3D14HP-220	220	22±25%	830(666)	0.65

JCRH3D16A



Features/特點

- *Excellent solderability and high heat resistance.
良好的可焊性和高耐熱性
- *Suitable for a variety of DC/DC converters inductance.

Measuring frequency/測試頻率

- *100KHz1V

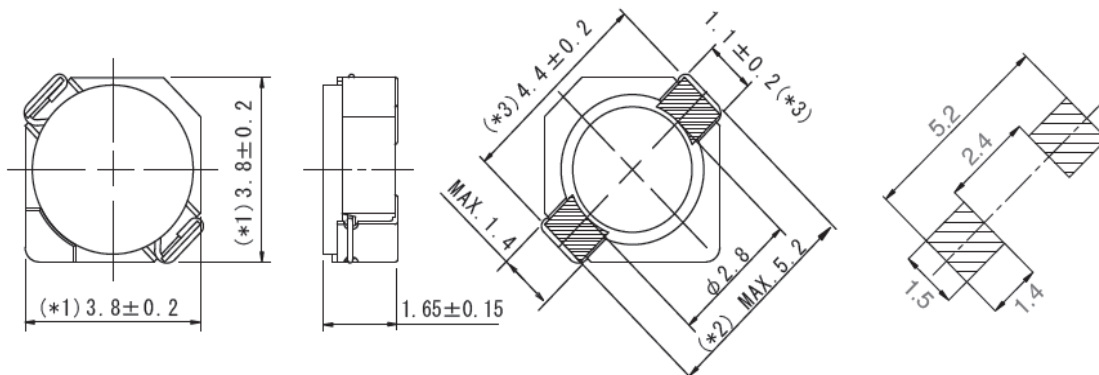
Description/說明

- *Current Rating: Based on the largest decline in ICP to 35 percent and the temperature does not exceed 40 degrees.

額定電流: 基於電感量最大下降幅度為35%, 以及溫度上升不超過40°C.

DIMENSIONS (mm) 外形尺寸

LAND PATTERNS(mm) 端子安裝尺寸



Type 型號	Indicate 表示	Inductance 電感值(μH)	D.C.R(Max) 直流電阻 (mΩ)	Rated current(Max) 額定電流 (A)
JCRH3D16A-1R1	1R1	1.1±30%	48(33)	1.60
JCRH3D16A-1R5	1R5	1.5±30%	52(40)	1.55
JCRH3D16A-2R2	2R2	2.2±30%	72(55)	1.20
JCRH3D16A-3R3	3R3	3.3±30%	85(73)	1.10
JCRH3D16A-4R7	4R7	4.7±30%	105(91)	0.90
JCRH3D16A-6R8	6R8	6.8±25%	170(130)	0.73
JCRH3D16A-100	100	10±25%	210(189)	0.55
JCRH3D16A-150	150	15±25%	295(225)	0.45
JCRH3D16A-220	220	22±25%	430(330)	0.40
JCRH3D16A-330	330	33±25%	675(520)	0.32
JCRH3D16A-151	151	150±25%	3210(2500)	0.18
JCRH3D16A-221	221	220±25%	5200(3940)	0.16
JCRH3D16A-331	331	330±25%	6800(5700)	0.14

JCRH3D16



Features/特點

*Excellent solderability and high heat resistance.

良好的可焊性和高耐熱性

*Suitable for a variety of DC/DC converters inductance.

Measuring frequency/測試頻率

*100KHz1V

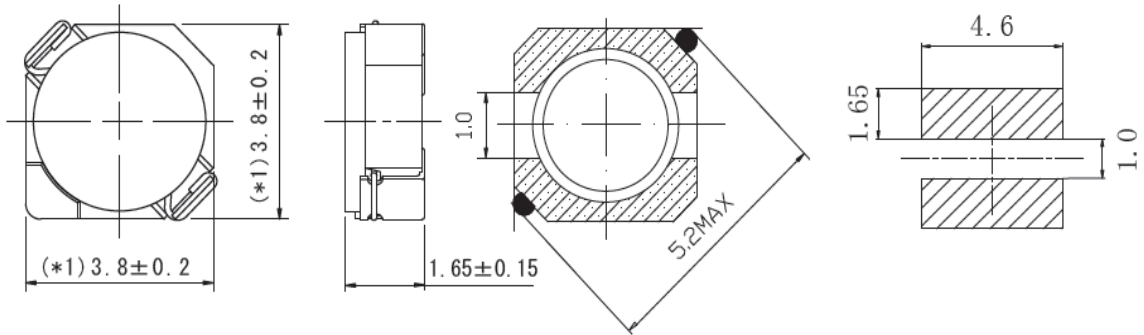
Description/說明

*Current Rating:Based on the largest decline in ICP to 35 percent and the temperature does not exceed 40 degrees.

額定電流:基於電感量最大下降幅度為35%,以及溫度上升不超過40℃.

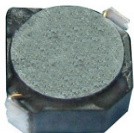
DIMENSIONS (mm) 外形尺寸

LAND PATTERNS(mm) 端子安裝尺寸



Type 型號	Indicate 表示	Inductance 電感值(μH)	D.C.R(Max) 直流電阻 (mΩ)	Rated current(Max) 額定電流 (A)
JCRH3D16-1R1	1R1	1.1±30%	48(33)	1.60
JCRH3D16-1R5	1R5	1.5±30%	52(40)	1.55
JCRH3D16-2R2	2R2	2.2±30%	72(55)	1.20
JCRH3D16-3R3	3R3	3.3±30%	85(73)	1.10
JCRH3D16-4R7	4R7	4.7±30%	105(91)	0.90
JCRH3D16-6R8	6R8	6.8±25%	170(130)	0.73
JCRH3D16-100	100	10±25%	210(189)	0.55
JCRH3D16-150	150	15±25%	295(225)	0.45
JCRH3D16-220	220	22±25%	430(330)	0.40
JCRH3D16-330	330	33±25%	675(520)	0.32
JCRH3D16-151	151	150±25%	3210(2500)	0.18
JCRH3D16-221	221	220±25%	5200(3940)	0.16
JCRH3D16-331	331	330±25%	6800(5700)	0.14

JCRH3D16ALD



Features/特點

- *Excellent solderability and high heat resistance.
良好的可焊性和高耐熱性
- *Suitable for a variety of DC/DC converters inductance.

Measuring frequency/測試頻率

- *100KHz1V

Description/說明

- *Current Rating: Based on the largest decline in ICP to 35 percent and the temperature does not exceed 40 degrees.

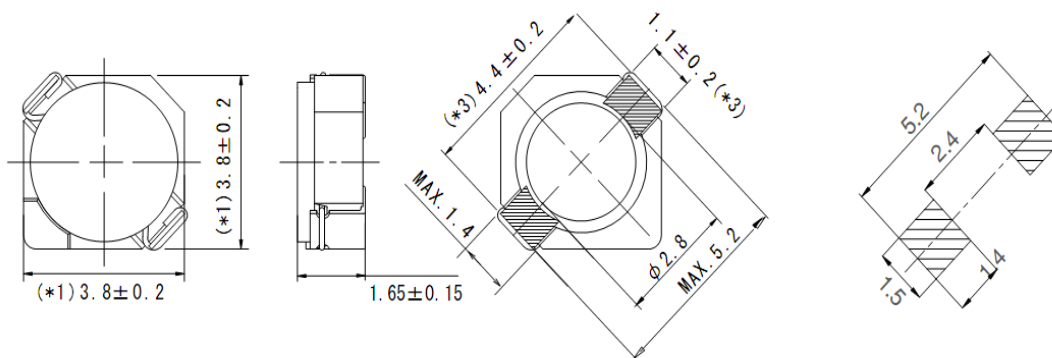
額定電流: 基於電感量最大下降幅度為35%, 以及溫度上升不超過40°C.

DIMENSIONS (mm)

外形尺寸

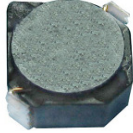
LAND PATTERNS(mm)

端子安裝尺寸



Type 型號	Indicate 表示	Inductance 電感值(μ H)	D.C.R(Max) 直流電阻 (m Ω)	Rated current(Max) 額定電流 (A)
JCRH3D16ALD-3R3	3R3	3.3 \pm 30%	66(53)	0.80
JCRH3D16ALD-3R9	3R9	3.9 \pm 30%	81(65)	0.75
JCRH3D16ALD-4R7	4R7	4.7 \pm 30%	91(73)	0.68
JCRH3D16ALD-5R6	5R6	5.6 \pm 25%	102(82)	0.62
JCRH3D16ALD-6R8	6R8	6.8 \pm 25%	130(104)	0.58
JCRH3D16ALD-8R2	8R2	8.2 \pm 25%	140(112)	0.51
JCRH3D16ALD-100	100	10 \pm 25%	190(152)	0.46
JCRH3D16ALD-120	120	12 \pm 25%	205(164)	0.42
JCRH3D16ALD-150	150	15 \pm 25%	272(218)	0.38
JCRH3D16ALD-220	220	22 \pm 25%	356(285)	0.31
JCRH3D16ALD-270	270	27 \pm 25%	470(377)	0.28
JCRH3D16ALD-330	330	33 \pm 25%	560(446)	0.26
JCRH3D16ALD-390	390	39 \pm 25%	700(558)	0.24
JCRH3D16ALD-470	470	47 \pm 25%	775(630)	0.21

JCRH3D16LD



Features/特點

*Excellent solderability and high heat resistance.

良好的可焊性和高耐熱性

*Suitable for a variety of DC/DC converters inductance.

Measuring frequency/測試頻率

*100KHz1V

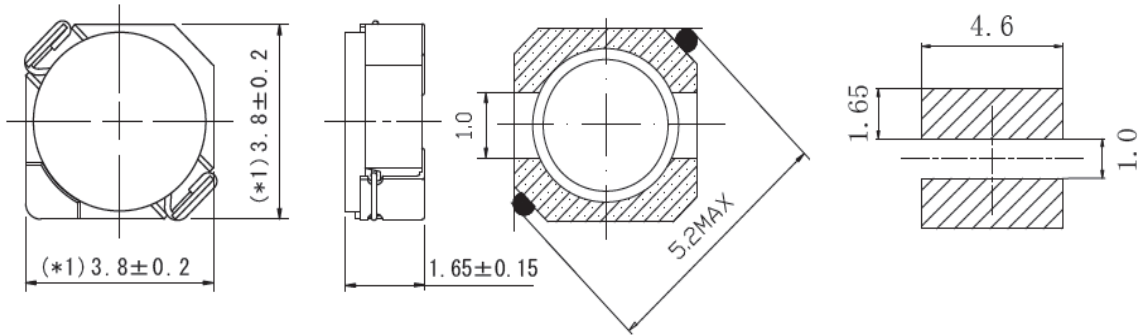
Description/說明

*Current Rating: Based on the largest decline in ICP to 35 percent and the temperature does not exceed 40 degrees.

額定電流: 基於電感量最大下降幅度為35%, 以及溫度上升不超過40°C.

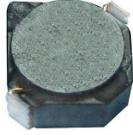
DIMENSIONS (mm) 外形尺寸

LAND PATTERNS(mm) 端子安裝尺寸



Type 型號	Indicate 表示	Inductance 電感值(μH)	D.C.R(Max) 直流電阻 (mΩ)	Rated current(Max) 額定電流 (A)
JCRH3D16LD-3R3	3R3	3.3±30%	66(53)	0.80
JCRH3D16LD-3R9	3R9	3.9±30%	81(65)	0.75
JCRH3D16LD-4R7	4R7	4.7±30%	91(73)	0.68
JCRH3D16LD-5R6	5R6	5.6±25%	102(82)	0.62
JCRH3D16LD-6R8	6R8	6.8±25%	130(104)	0.58
JCRH3D16LD-8R2	8R2	8.2±25%	140(112)	0.51
JCRH3D16LD-100	100	10±25%	190(152)	0.46
JCRH3D16LD-120	120	12±25%	205(164)	0.42
JCRH3D16LD-150	150	15±25%	272(218)	0.38
JCRH3D16LD-220	220	22±25%	356(285)	0.31
JCRH3D16LD-270	270	27±25%	470(377)	0.28
JCRH3D16LD-330	330	33±25%	560(446)	0.26
JCRH3D16LD-390	390	39±25%	700(558)	0.24
JCRH3D16LD-470	470	47±25%	775(630)	0.21

JCRH3D16AHP



Features/特點

*Excellent solderability and high heat resistance.

良好的可焊性和高耐熱性

*Suitable for a variety of DC/DC converters inductance.

Measuring frequency/測試頻率

*100KHz1V

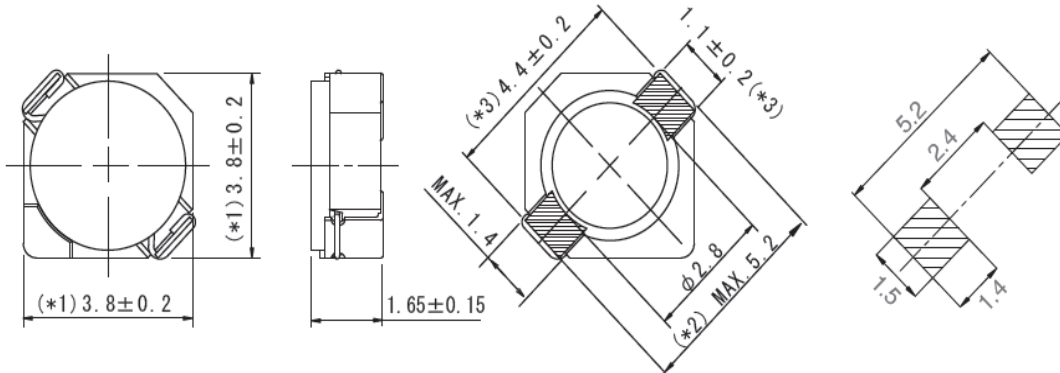
Description/說明

*Current Rating: Based on the largest decline in ICP to 35 percent and the temperature does not exceed 40 degrees.

額定電流: 基於電感量最大下降幅度為35%, 以及溫度上升不超過40°C.

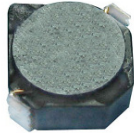
DIMENSIONS (mm) 外形尺寸

LAND PATTERNS(mm) 端子安裝尺寸



Type 型號	Indicate 表示	Inductance 電感值(μH)	D.C.R(Max) 直流電阻 (mΩ)	Rated current(Max) 額定電流 (A)
JCRH3D16AHP-1R7	1R7	1.7±30%	51(41)	2.00
JCRH3D16AHP-2R2	2R2	2.2±30%	59(47)	1.75
JCRH3D16AHP-3R3	3R3	3.3±30%	85(68)	1.40
JCRH3D16AHP-4R7	4R7	4.7±30%	116(93)	1.20
JCRH3D16AHP-6R8	6R8	6.8±25%	180(145)	1.00
JCRH3D16AHP-100	100	10±25%	230(185)	0.84
JCRH3D16AHP-150	150	15±25%	410(328)	0.65
JCRH3D16AHP-220	220	22±25%	610(488)	0.55
JCRH3D16AHP-330	330	33±25%	870(695)	0.46
JCRH3D16AHP-101	101	100±25%	2060(1650)	0.28

JCRH3D16HP



Features/特點

*Excellent solderability and high heat resistance.

良好的可焊性和高耐熱性

*Suitable for a variety of DC/DC converters inductance.

Measuring frequency/測試頻率

*100KHz1V

Description/說明

*Current Rating:Based on the largest decline in ICP to 35 percent and the temperature does not exceed 40 degrees.

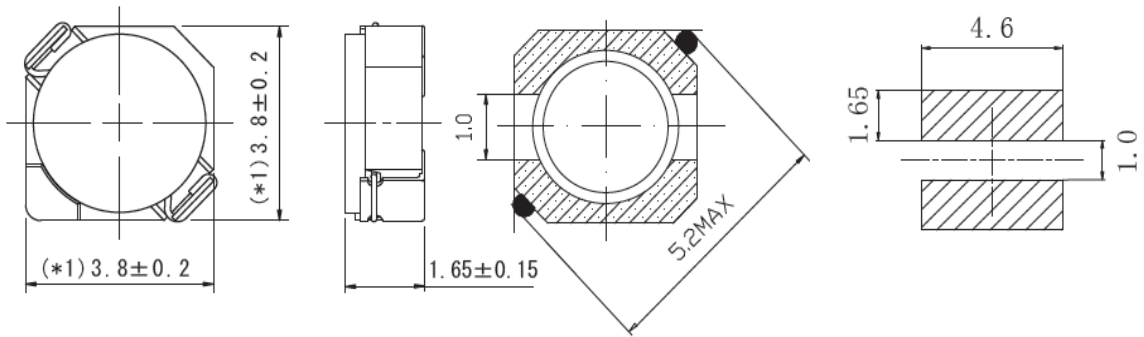
額定電流:基於電感量最大下降幅度為35%,以及溫度上升不超過40℃.

DIMENSIONS(mm)

外形尺寸

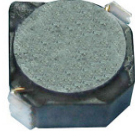
LAND PATTERNS(mm)

端子安裝尺寸



Type 型號	Indicate 表示	Inductance 電感值(μH)	D.C.R(Max) 直流電阻 (mΩ)	Rated current(Max) 額定電流 (A)
JCRH3D16HP-1R7	1R7	1.7±30%	51(41)	2.00
JCRH3D16HP-2R2	2R2	2.2±30%	59(47)	1.75
JCRH3D16HP-3R3	3R3	3.3±30%	85(68)	1.40
JCRH3D16HP-4R7	4R7	4.7±30%	116(93)	1.20
JCRH3D16HP-6R8	6R8	6.8±25%	180(145)	1.00
JCRH3D16HP-100	100	10±25%	230(185)	0.84
JCRH3D16HP-150	150	15±25%	410(328)	0.65
JCRH3D16HP-220	220	22±25%	610(488)	0.55
JCRH3D16HP-330	330	33±25%	870(695)	0.46
JCRH3D16HP-101	101	100±25%	2060(1650)	0.28

JCRH3D28A



Features/特點

*Excellent solderability and high heat resistance.

良好的可焊性和高耐熱性

*Suitable for a variety of DC/DC converters inductance.

Measuring frequency/測試頻率

*100KHz1V

Description/說明

*Current Rating: Based on the largest decline in ICP to 35 percent and the temperature does not exceed 40 degrees.

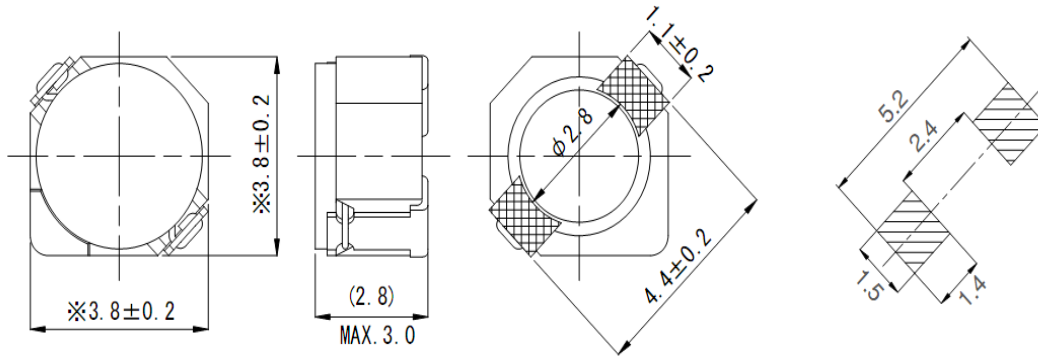
額定電流: 基於電感量最大下降幅度為35%, 以及溫度上升不超過40°C.

DIMENSIONS(mm)

外形尺寸

LAND PATTERNS(mm)

端子安裝尺寸



Type 型號	Indicate 表示	Inductance 電感值(μH)	D.C.R(Max) 直流電阻 (mΩ)	Rated current(Max) 額定電流 (A)
JCRH3D28A-3R3	3R3	3.3±30%	88(67)	2.00
JCRH3D28A-4R7	4R7	4.7±30%	124(100)	1.65
JCRH3D28A-6R8	6R8	6.8±25%	145(112)	1.24
JCRH3D28A-100	100	10±25%	158(116)	1.05
JCRH3D28A-120	120	12±25%	280(250)	0.90
JCRH3D28A-220	220	22±25%	335(268)	0.80
JCRH3D28A-330	330	33±25%	481(385)	0.65
JCRH3D28A-470	470	47±25%	599(479)	0.50
JCRH3D28A-101	101	100±25%	1140(890)	0.45

JCRH3D28



Features/特點

- *Excellent solderability and high heat resistance.
良好的可焊性和高耐熱性
- *Suitable for a variety of DC/DC converters inductance.

Measuring frequency/測試頻率

- *100KHz1V

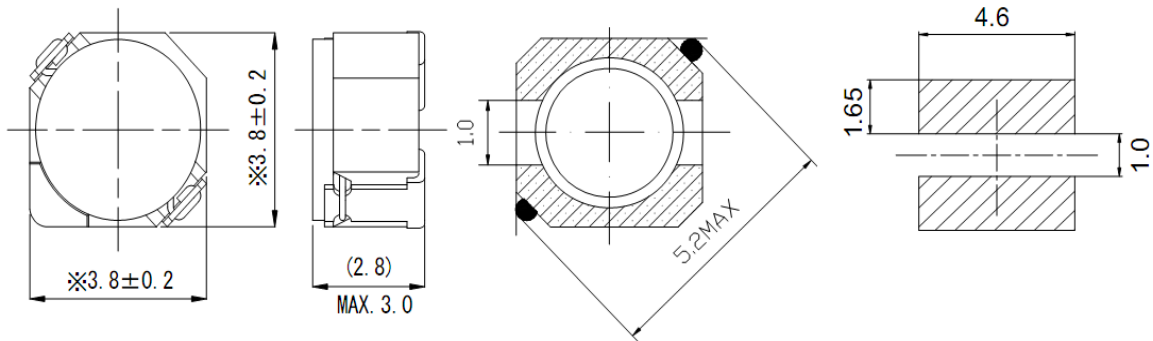
Description/說明

*Current Rating: Based on the largest decline in ICP to 35 percent and the temperature does not exceed 40 degrees.

額定電流: 基於電感量最大下降幅度為35%, 以及溫度上升不超過40°C.

DIMENSIONS(mm) 外形尺寸

LAND PATTERNS(mm) 端子安裝尺寸



Type 型號	Indicate 表示	Inductance 電感值(μH)	D.C.R(Max) 直流電阻 (mΩ)	Rated current(Max) 額定電流 (A)
JCRH3D28-3R3	3R3	3.3±30%	88(67)	2.00
JCRH3D28-4R7	4R7	4.7±30%	124(100)	1.65
JCRH3D28-6R8	6R8	6.8±25%	145(112)	1.24
JCRH3D28-100	100	10±25%	158(116)	1.05
JCRH3D28-120	120	12±25%	280(250)	0.90
JCRH3D28-220	220	22±25%	335(268)	0.80
JCRH3D28-330	330	33±25%	481(385)	0.65
JCRH3D28-470	470	47±25%	599(479)	0.50
JCRH3D28-101	101	100±25%	1140(890)	0.45

JCRH3D28ALD



Features/特點

*Excellent solderability and high heat resistance.

良好的可焊性和高耐熱性

*Suitable for a variety of DC/DC converters inductance.

Measuring frequency/測試頻率

*100KHz1V

Description/說明

*Current Rating: Based on the largest decline in ICP to 35 percent and the temperature does not exceed 40 degrees.

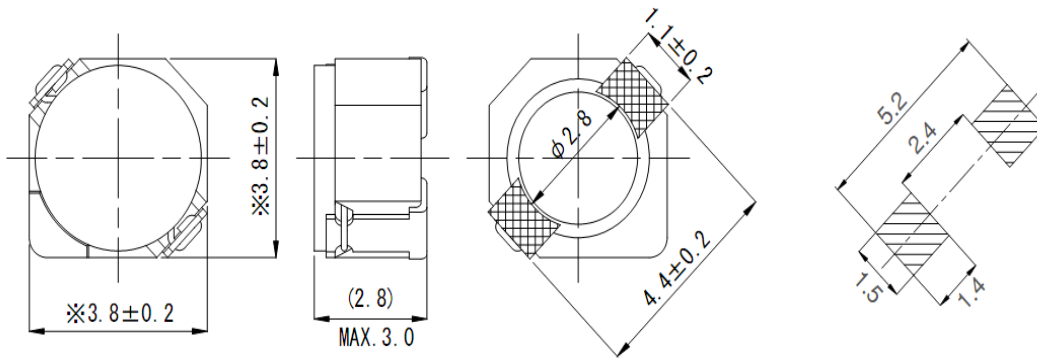
額定電流: 基於電感量最大下降幅度為35%, 以及溫度上升不超過40°C.

DIMENSIONS(mm)

外形尺寸

LAND PATTERNS(mm)

端子安裝尺寸



Type 型號	Indicate 表示	Inductance 電感值(μ H)	D.C.R(Max) 直流電阻 (m Ω)	Rated current(Max) 額定電流 (A)
JCRH3D28ALD-100	100	10 \pm 25%	95(73)	0.50
JCRH3D28ALD-120	120	12 \pm 25%	100(80)	0.45
JCRH3D28ALD-150	150	15 \pm 25%	115(90)	0.40
JCRH3D28ALD-180	180	18 \pm 25%	125(100)	0.35
JCRH3D28ALD-220	220	22 \pm 25%	145(117)	0.33
JCRH3D28ALD-270	270	27 \pm 25%	175(141)	0.29
JCRH3D28ALD-330	330	33 \pm 25%	215(171)	0.28
JCRH3D28ALD-390	390	39 \pm 25%	225(180)	0.25
JCRH3D28ALD-470	470	47 \pm 25%	305(245)	0.23

JCRH3D28LD



Features/特點

*Excellent solderability and high heat resistance.

良好的可焊性和高耐熱性

*Suitable for a variety of DC/DC converters inductance.

Measuring frequency/測試頻率

*100KHz1V

Description/說明

*Current Rating: Based on the largest decline in ICP to 35 percent and the temperature does not exceed 40 degrees.

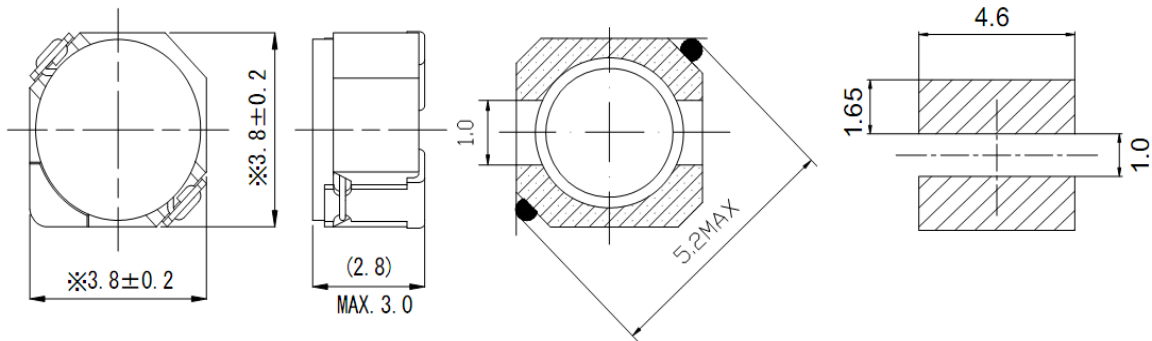
額定電流: 基於電感量最大下降幅度為35%, 以及溫度上升不超過40°C.

DIMENSIONS(mm)

外形尺寸

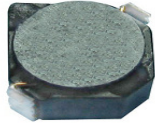
LAND PATTERNS(mm)

端子安裝尺寸



Type 型號	Indicate 表示	Inductance 電感值(μH)	D.C.R(Max) 直流電阻 (mΩ)	Rated current(Max) 額定電流 (A)
JCRH3D28LD-100	100	10±25%	95(73)	0.50
JCRH3D28LD-120	120	12±25%	100(80)	0.45
JCRH3D28LD-150	150	15±25%	115(90)	0.40
JCRH3D28LD-180	180	18±25%	125(100)	0.35
JCRH3D28LD-220	220	22±25%	145(117)	0.33
JCRH3D28LD-270	270	27±25%	175(141)	0.29
JCRH3D28LD-330	330	33±25%	215(171)	0.28
JCRH3D28LD-390	390	39±25%	225(180)	0.25
JCRH3D28LD-470	470	47±25%	305(245)	0.23

JCRH4D18



Features/特點

- *Excellent solderability and high heat resistance.
良好的可焊性和高耐熱性
- *Suitable for a variety of DC/DC converters inductance.

Measuring frequency/測試頻率

- *100KHz1V

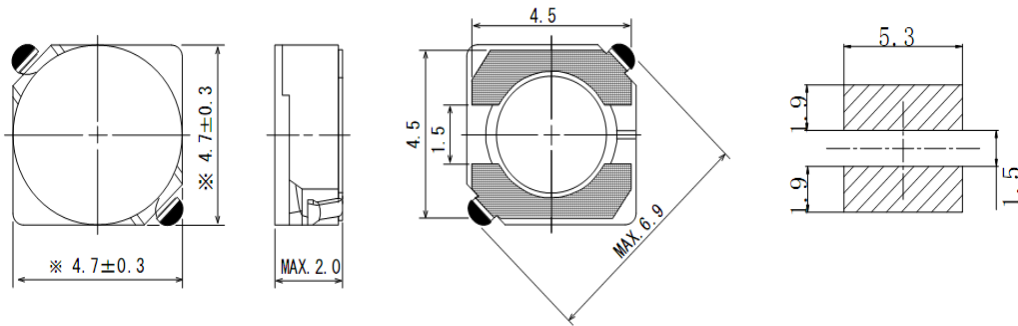
Description/說明

*Current Rating: Based on the largest decline in ICP to 35 percent and the temperature does not exceed 40 degrees.

額定電流: 基於電感量最大下降幅度為35%, 以及溫度上升不超過40°C.

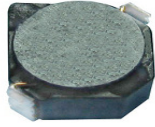
DIMENSIONS(mm) 外形尺寸

LAND PATTERNS(mm) 端子安裝尺寸



Type 型號	Indicate 表示	Inductance 電感值(μ H)	D.C.R(Max) 直流電阻 ($m\Omega$)	Rated current(Max) 額定電流 (A)
JCRH4D18-1R0	1R0	1.0 \pm 30%	45(35)	3.20
JCRH4D18-2R2	2R2	2.2 \pm 30%	73(58)	2.00
JCRH4D18-2R7	2R7	2.7 \pm 30%	100(80)	1.80
JCRH4D18-3R3	3R3	3.3 \pm 30%	105(85)	1.60
JCRH4D18-3R9	3R9	3.9 \pm 30%	150(120)	1.50
JCRH4D18-4R7	4R7	4.7 \pm 30%	156(125)	1.40
JCRH4D18-5R6	5R6	5.6 \pm 25%	165(130)	1.20
JCRH4D18-6R8	6R8	6.8 \pm 25%	193(155)	1.10
JCRH4D18-8R2	8R2	8.2 \pm 25%	240(190)	1.05
JCRH4D18-100	100	10 \pm 25%	192(148)	1.00
JCRH4D18-120	120	12 \pm 25%	203(156)	0.90
JCRH4D18-150	150	15 \pm 25%	231(178)	0.80
JCRH4D18-180	180	18 \pm 25%	325(250)	0.75
JCRH4D18-220	220	22 \pm 25%	382(294)	0.70

JCRH4D22



Features/特點

- *Excellent solderability and high heat resistance.
良好的可焊性和高耐熱性
- *Suitable for a variety of DC/DC converters inductance.

Measuring frequency/測試頻率

- *100KHz1V

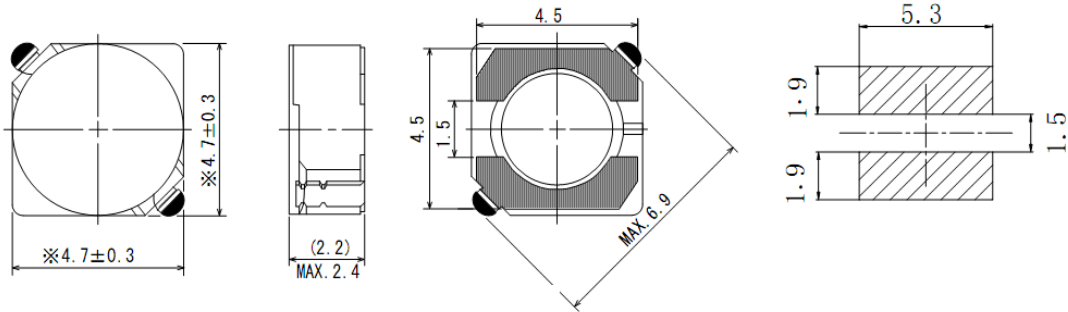
Description/說明

- *Current Rating: Based on the largest decline in ICP to 35 percent and the temperature does not exceed 40 degrees.

額定電流: 基於電感量最大下降幅度為35%, 以及溫度上升不超過40°C.

DIMENSIONS(mm) 外形尺寸

LAND PATTERNS(mm) 端子安裝尺寸



Type 型號	Indicate 表示	Inductance 電感值(μ H)	D.C.R(Max) 直流電阻 (m Ω)	Rated current(Max) 額定電流 (A)
JCRH4D22-1R5	1R5	1.5 \pm 30%	18(14)	2.00
JCRH4D22-1R8	1R8	1.8 \pm 30%	22(17)	1.90
JCRH4D22-2R3	2R3	2.3 \pm 30%	25(20)	1.80
JCRH4D22-3R3	3R3	3.3 \pm 30%	35(27)	1.40
JCRH4D22-3R9	3R9	3.9 \pm 30%	40(31)	1.30
JCRH4D22-4R7	4R7	4.7 \pm 30%	56(43)	1.10
JCRH4D22-5R6	5R6	5.6 \pm 25%	62(48)	1.05
JCRH4D22-6R8	6R8	6.8 \pm 25%	88(68)	1.00
JCRH4D22-8R2	8R2	8.2 \pm 25%	97(74)	0.90
JCRH4D22-100	100	10 \pm 25%	103(79)	0.80
JCRH4D22-120	120	12 \pm 25%	111(85)	0.75
JCRH4D22-150	150	15 \pm 25%	128(98)	0.68
JCRH4D22-180	180	18 \pm 25%	169(130)	0.60
JCRH4D22-220	220	22 \pm 25%	200(154)	0.54
JCRH4D22-470	470	47 \pm 25%	500(385)	0.38
JCRH4D22-101	101	101 \pm 25%	880(670)	0.25

JCRH4D22HP



Features/特點

- *Excellent solderability and high heat resistance.
良好的可焊性和高耐熱性
- *Suitable for a variety of DC/DC converters inductance.

Measuring frequency/測試頻率

- *100KHz1V

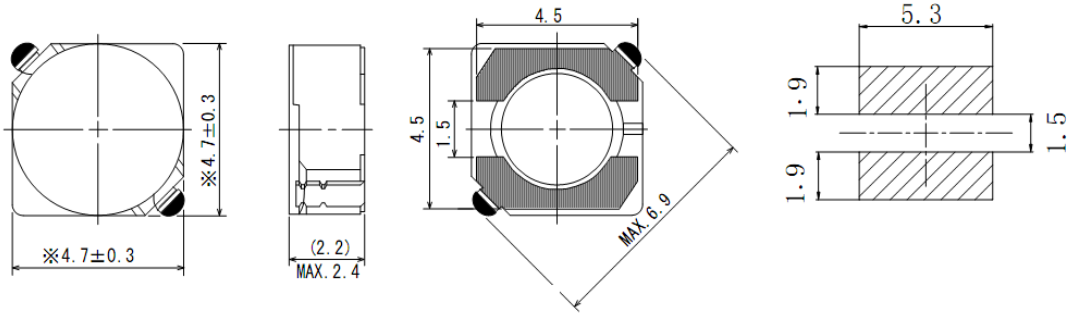
Description/說明

- *Current Rating: Based on the largest decline in ICP to 35 percent and the temperature does not exceed 40 degrees.

額定電流: 基於電感量最大下降幅度為35%, 以及溫度上升不超過40°C.

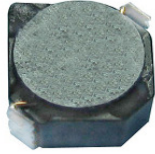
DIMENSIONS(mm) 外形尺寸

LAND PATTERNS(mm) 端子安裝尺寸



Type 型號	Indicate 表示	Inductance 電感值(μ H)	D.C.R(Max) 直流電阻 (m Ω)	Rated current(Max) 額定電流 (A)
JCRH4D22HP-1R2	1R2	1.2 \pm 30%	27(22)	4.20
JCRH4D22HP-1R5	1R5	1.5 \pm 30%	32(25)	3.90
JCRH4D22HP-2R2	2R2	2.2 \pm 30%	44(36)	3.20
JCRH4D22HP-2R7	2R7	2.7 \pm 30%	58(46)	2.80
JCRH4D22HP-3R5	3R5	3.5 \pm 30%	65(52)	2.50
JCRH4D22HP-4R7	4R7	4.7 \pm 30%	83(66)	2.20
JCRH4D22HP-5R2	5R2	5.2 \pm 25%	93(75)	2.00
JCRH4D22HP-6R3	6R3	6.3 \pm 25%	110(88)	1.85
JCRH4D22HP-8R2	8R2	8.2 \pm 25%	128(103)	1.65
JCRH4D22HP-100	100	10 \pm 25%	144(115)	1.50
JCRH4D22HP-120	120	12 \pm 25%	187(150)	1.30
JCRH4D22HP-150	150	15 \pm 25%	213(171)	1.20
JCRH4D22HP-180	180	18 \pm 25%	239(191)	1.10
JCRH4D22HP-220	220	22 \pm 25%	267(214)	1.05
JCRH4D22HP-470	470	47 \pm 25%	723(578)	0.70
JCRH4D22HP-101	101	101 \pm 25%	1370(1096)	0.48

JCRH4D28



Features/特點

- *Excellent solderability and high heat resistance.
良好的可焊性和高耐熱性
- *Suitable for a variety of DC/DC converters inductance.

Measuring frequency/測試頻率

- *100KHz1V

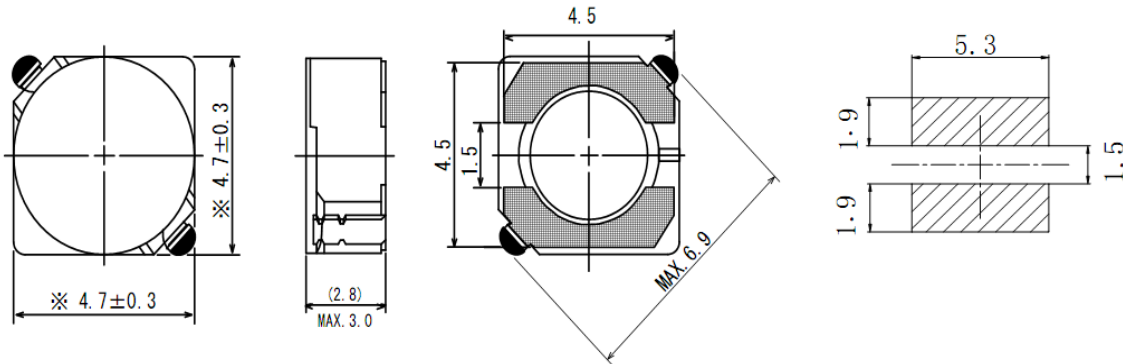
Description/說明

*Current Rating: Based on the largest decline in ICP to 35 percent and the temperature does not exceed 40 degrees.

額定電流: 基於電感量最大下降幅度為35%, 以及溫度上升不超過40°C.

DIMENSIONS(mm) 外形尺寸

LAND PATTERNS(mm) 端子安裝尺寸



Type 型號	Indicate 表示	Inductance 電感值(μH)	D.C.R(Max) 直流電阻 (mΩ)	Rated current(Max) 額定電流 (A)
JCRH4D28-1R2	1R2	1.2±30%	24(18)	2.56
JCRH4D28-1R8	1R8	1.8±30%	28(22)	2.20
JCRH4D28-2R2	2R2	2.2±30%	39(28)	2.00
JCRH4D28-2R7	2R7	2.7±30%	42(35)	1.80
JCRH4D28-3R3	3R3	3.3±30%	49(39)	1.70
JCRH4D28-3R9	3R9	3.9±30%	65(49)	1.60
JCRH4D28-4R7	4R7	4.7±30%	72(56)	1.50
JCRH4D28-5R6	5R6	5.6±25%	101(76)	1.40
JCRH4D28-6R8	6R8	6.8±25%	109(81)	1.30
JCRH4D28-8R2	8R2	8.2±25%	118(87)	1.20
JCRH4D28-100	100	10±25%	128(97)	1.15
JCRH4D28-120	120	12±25%	132(98)	1.00
JCRH4D28-150	150	15±25%	149(111)	0.90
JCRH4D28-180	180	18±25%	166(123)	0.85
JCRH4D28-220	220	22±25%	235(175)	0.80
JCRH4D28-470	470	47±25%	587(435)	0.60

JCRH5D12



Features/特點

- *Excellent solderability and high heat resistance.
良好的可焊性和高耐熱性
- *Suitable for a variety of DC/DC converters inductance.

Measuring frequency/測試頻率

- *100KHz1V

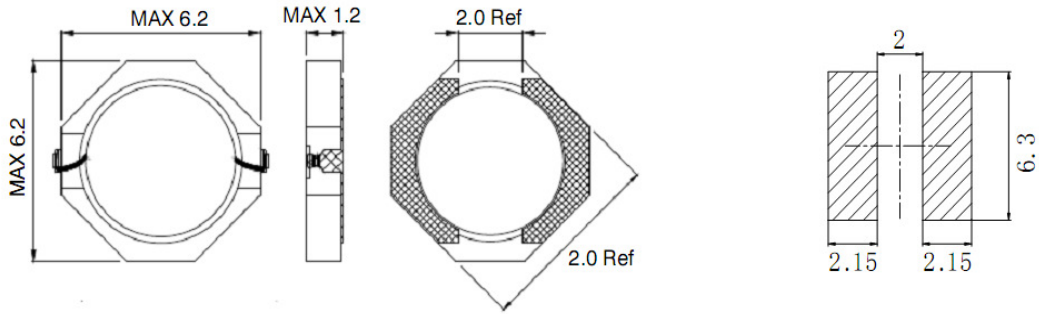
Description/說明

- *Current Rating: Based on the largest decline in ICP to 35 percent and the temperature does not exceed 40 degrees.

額定電流: 基於電感量最大下降幅度為35%, 以及溫度上升不超過40°C.

DIMENSIONS(mm) 外形尺寸

LAND PATTERNS(mm) 端子安裝尺寸



Type 型號	Indicate 表示	Inductance 電感值(μ H)	D.C.R(Max) 直流電阻 (m Ω)	Rated current(Max) 額定電流 (A)
JCRH5D12-3R3	3R3	3.3 \pm 30%	118(91)	2.30
JCRH5D12-4R7	4R7	4.7 \pm 30%	172(133)	1.80
JCRH5D12-6R8	6R8	6.8 \pm 25%	311(239)	1.50
JCRH5D12-100	100	10 \pm 25%	360(291)	1.10

JCRH5D16A



Features/特點

- *Excellent solderability and high heat resistance.
良好的可焊性和高耐熱性
- *Suitable for a variety of DC/DC converters inductance.

Measuring frequency/測試頻率

*100KHz1V

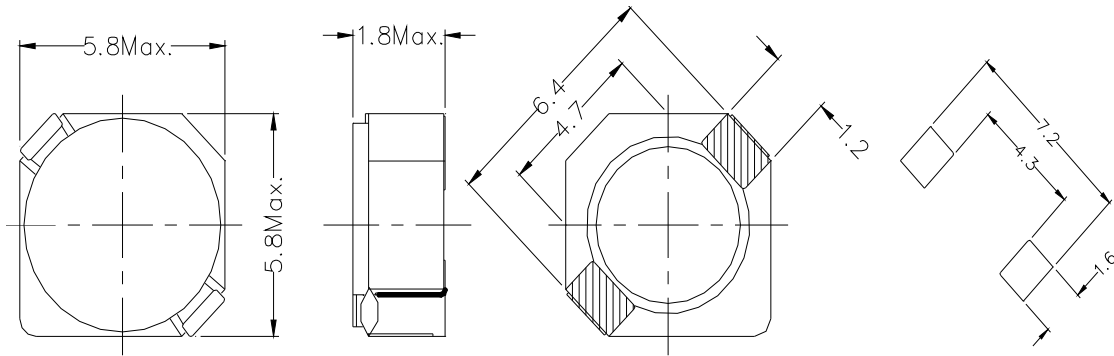
Description/說明

*Current Rating: Based on the largest decline in ICP to 35 percent and the temperature does not exceed 40 degrees.

額定電流: 基於電感量最大下降幅度為35%, 以及溫度上升不超過40°C.

DIMENSIONS(mm) 外形尺寸

LAND PATTERNS(mm) 端子安裝尺寸



Type 型號	Indicate 表示	Inductance 電感值(μ H)	D.C.R(Max) 直流電阻 (m Ω)	Rated current(Max) 額定電流 (A)
JCRH5D16A-2R2	2R2	2.2 \pm 30%	53(40)	2.90
JCRH5D16A-3R3	3R3	3.3 \pm 30%	67(52)	2.20
JCRH5D16A-4R7	4R7	4.7 \pm 30%	64(53)	2.00
JCRH5D16A-6R8	6R8	6.8 \pm 25%	81(77)	1.60
JCRH5D16A-8R2	8R2	8.2 \pm 25%	140(108)	1.40
JCRH5D16A-100	100	10 \pm 25%	173(133)	1.20
JCRH5D16A-150	150	15 \pm 25%	201(167)	1.10
JCRH5D16A-220	220	22 \pm 25%	300(250)	1.00
JCRH5D16A-470	470	47 \pm 25%	670(558)	0.60
JCRH5D16A-101	101	100 \pm 25%	1400(1066)	0.45

JCRH5D18



Features/特點

- *Excellent solderability and high heat resistance.
良好的可焊性和高耐熱性
- *Suitable for a variety of DC/DC converters inductance.

Measuring frequency/測試頻率

*100KHz1V

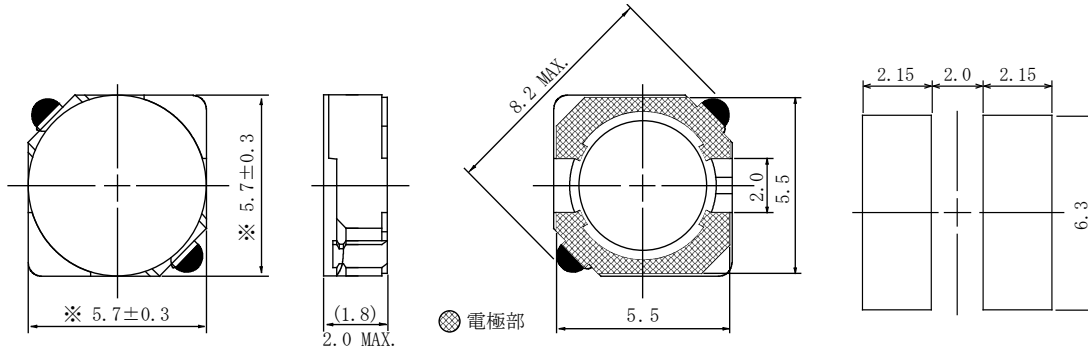
Description/說明

*Current Rating: Based on the largest decline in ICP to 35 percent and the temperature does not exceed 40 degrees.

額定電流: 基於電感量最大下降幅度為35%, 以及溫度上升不超過40°C.

DIMENSIONS(mm) 外形尺寸

LAND PATTERNS(mm) 端子安裝尺寸



Type 型號	Indicate 表示	Inductance 電感值(μH)	D.C.R(Max) 直流電阻 (mΩ)	Rated current(Max) 額定電流 (A)
JCRH5D18-2R2	2R2	2.2±30%	39(29)	2.30
JCRH5D18-2R6	2R6	2.6±30%	46(36)	2.20
JCRH5D18-3R3	3R3	3.3±30%	48(39)	2.00
JCRH5D18-4R1	4R1	4.1±30%	57(47)	1.80
JCRH5D18-5R4	5R4	5.4±25%	76(56)	1.60
JCRH5D18-6R2	6R2	6.2±25%	96(71)	1.50
JCRH5D18-6R8	6R8	6.8±25%	102(74)	1.40
JCRH5D18-8R9	8R9	8.9±25%	116(86)	1.25
JCRH5D18-100	100	10±25%	124(96)	1.20
JCRH5D18-120	120	12±25%	153(113)	1.10
JCRH5D18-150	150	15±25%	196(145)	0.97
JCRH5D18-180	180	18±25%	210(155)	0.85
JCRH5D18-220	220	22±25%	290(215)	0.80
JCRH5D18-270	270	27±25%	330(245)	0.75
JCRH5D18-330	330	33±25%	385(285)	0.65
JCRH5D18-390	390	39±25%	520(385)	0.57
JCRH5D18-470	470	47±25%	595(440)	0.54
JCRH5D18-560	560	56±25%	665(493)	0.50

JCRH5D28



Features/特點

*Excellent solderability and high heat resistance.

良好的可焊性和高耐熱性

*Suitable for a variety of DC/DC converters inductance.

Measuring frequency/測試頻率

*100KHz1V

Description/說明

*Current Rating: Based on the largest decline in ICP to 35 percent and the temperature does not exceed 40 degrees.

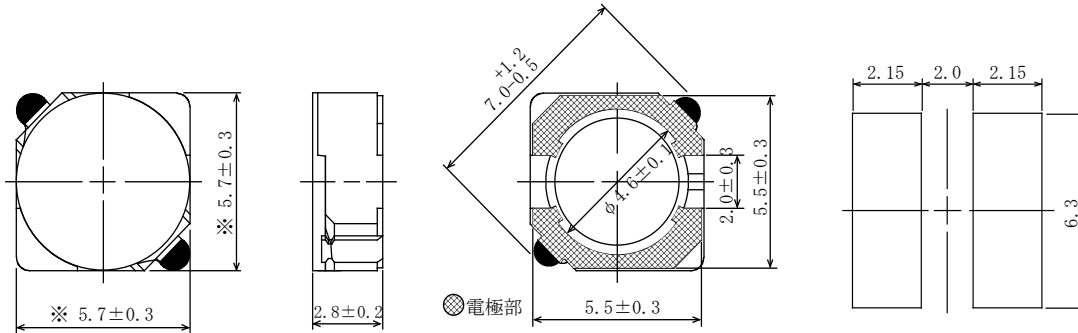
額定電流: 基於電感量最大下降幅度為35%, 以及溫度上升不超過40°C.

DIMENSIONS(mm)

外形尺寸

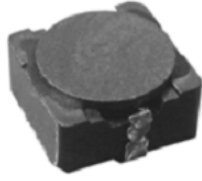
LAND PATTERNS(mm)

端子安裝尺寸



Type 型號	Indicate 表示	Inductance 電感值(μ H)	D.C.R(Max) 直流電阻 (m Ω)	Rated current(Max) 額定電流 (A)
JCRH5D28-2R5	2R5	2.5 \pm 30%	18(13)	2.60
JCRH5D28-3R0	3R0	3.0 \pm 30%	24(18)	2.40
JCRH5D28-4R2	4R2	4.2 \pm 30%	31(23)	2.20
JCRH5D28-5R3	5R3	5.3 \pm 25%	38(28)	1.90
JCRH5D28-6R2	6R2	6.2 \pm 25%	45(33)	1.80
JCRH5D28-8R2	8R2	8.2 \pm 25%	53(39)	1.60
JCRH5D28-100	100	10 \pm 25%	65(48)	1.30
JCRH5D28-120	120	12 \pm 25%	76(56)	1.20
JCRH5D28-150	150	15 \pm 25%	103(76)	1.10
JCRH5D28-180	180	18 \pm 25%	110(82)	1.00
JCRH5D28-220	220	22 \pm 25%	122(90)	0.90
JCRH5D28-270	270	27 \pm 25%	175(130)	0.85
JCRH5D28-330	330	33 \pm 25%	189(140)	0.75
JCRH5D28-390	390	39 \pm 25%	212(157)	0.70
JCRH5D28-470	470	47 \pm 25%	250(185)	0.62
JCRH5D28-560	560	56 \pm 25%	305(226)	0.58
JCRH5D28-680	680	68 \pm 25%	355(263)	0.52
JCRH5D28-101	101	101 \pm 25%	520(385)	0.50

JCRH5D28C



Features/特點

*Excellent solderability and high heat resistance.

良好的可焊性和高耐熱性

*Suitable for a variety of DC/DC converters inductance.

Measuring frequency/測試頻率

*100KHz1V

Description/說明

*Current Rating: Based on the largest decline in ICP to 35 percent and the temperature does not exceed 40 degrees.

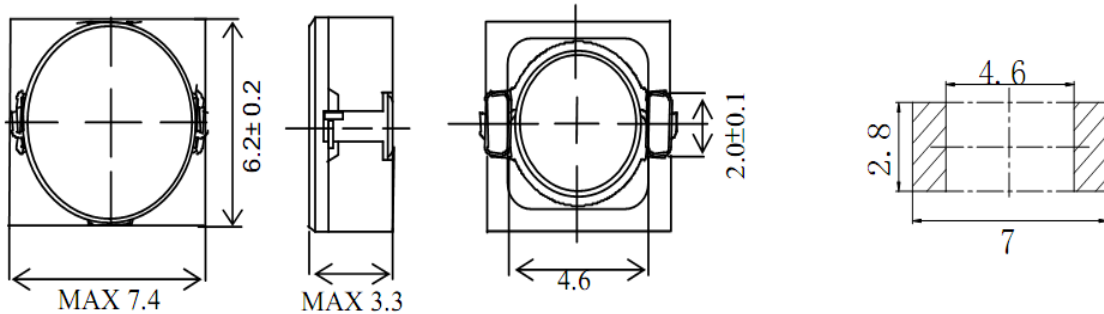
額定電流: 基於電感量最大下降幅度為35%, 以及溫度上升不超過40°C.

DIMENSIONS(mm)

外形尺寸

LAND PATTERNS(mm)

端子安裝尺寸



Type 型號	Indicate 表示	Inductance 電感值(μH)	D.C.R(Max) 直流電阻 (mΩ)	Rated current(Max) 額定電流 (A)
JCRH5D28C-1R8	1R8	1.8±30%	27(21)	3.20
JCRH5D28C-2R2	2R2	2.2±30%	39(28)	2.90
JCRH5D28C-3R3	3R3	3.3±30%	45(33)	2.35
JCRH5D28C-4R7	4R7	4.7±30%	47(35)	1.80
JCRH5D28C-5R0	5R0	5.0±25%	48(36)	1.60
JCRH5D28C-6R2	6R2	6.2±25%	53(42)	1.50
JCRH5D28C-100	100	10±25%	84(63)	1.40
JCRH5D28C-150	150	15±25%	121(93)	1.00
JCRH5D28C-220	220	22±25%	175(133)	0.90
JCRH5D28C-470	470	47±25%	340(261)	0.60
JCRH5D28C-680	680	68±25%	467(359)	0.55
JCRH5D28C-221	221	220±25%	1300(950)	0.30
JCRH5D28C-102	102	1000±25%	5800(5200)	0.14

JCRH5012



Features/特點

*Excellent solderability and high heat resistance.

良好的可焊性和高耐熱性

*Suitable for a variety of DC/DC converters inductance.

Measuring frequency/測試頻率

*100KHz1V

Description/說明

*Current Rating: Based on the largest decline in ICP to 35 percent and the temperature does not exceed 40 degrees.

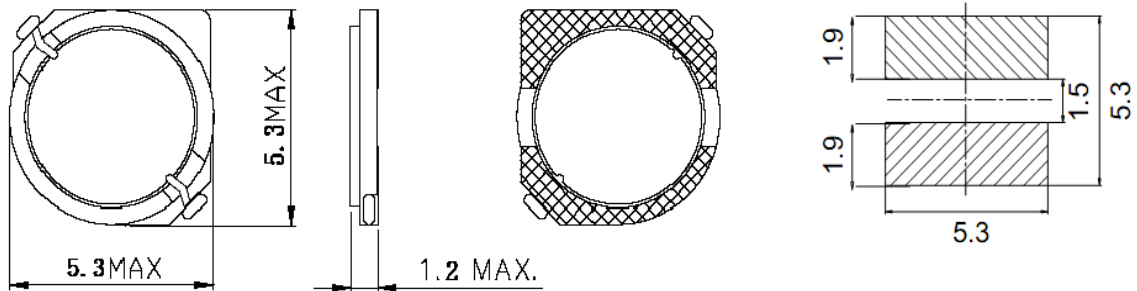
額定電流: 基於電感量最大下降幅度為35%, 以及溫度上升不超過40°C.

DIMENSIONS(mm)

外形尺寸

LAND PATTERNS(mm)

端子安裝尺寸



Type 型號	Indicate 表示	Inductance 電感值(μ H)	D.C.R(Max) 直流電阻 (m Ω)	Rated current(Max) 額定電流 (A)
JCRH5012-3R3	3R3	3.3 \pm 30%	264(215)	1.60
JCRH5012-4R7	4R7	4.7 \pm 30%	310(260)	1.50
JCRH5012-6R8	6R8	6.8 \pm 25%	360(307)	1.30
JCRH5012-8R2	8R2	8.2 \pm 25%	480(433)	1.12
JCRH5012-100	100	10 \pm 25%	530(469)	1.05
JCRH5012-120	120	12 \pm 25%	600(538)	0.92

JCRH6D12



Features/特點

- *Excellent solderability and high heat resistance.
良好的可焊性和高耐熱性
- *Suitable for a variety of DC/DC converters inductance.

Measuring frequency/測試頻率

*100KHz1V

Description/說明

*Current Rating: Based on the largest decline in ICP to 35 percent and the temperature does not exceed 40 degrees.

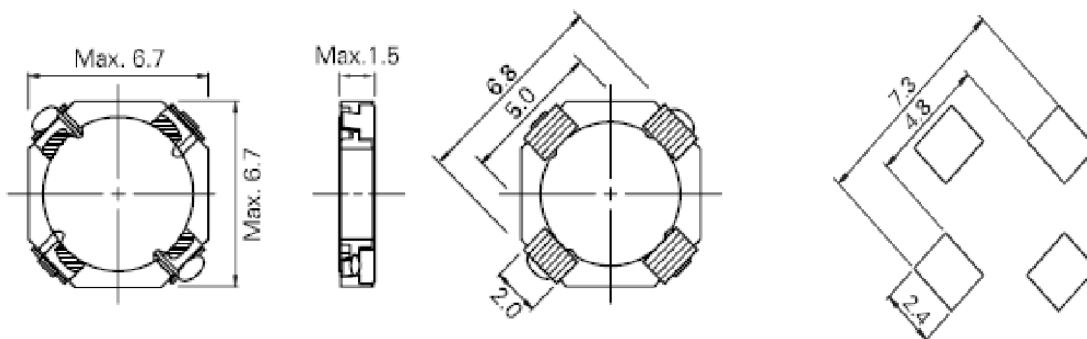
額定電流: 基於電感量最大下降幅度為35%, 以及溫度上升不超過40°C.

DIMENSIONS(mm)

外形尺寸

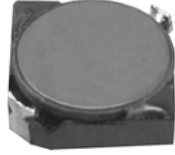
LAND PATTERNS(mm)

端子安裝尺寸



Type 型號	Indicate 表示	Inductance 電感值(μ H)	D.C.R(Max) 直流電阻 (m Ω)	Rated current(Max) 額定電流 (A)
JCRH6D12-1R0	1R0	1.0 \pm 30%	37.5	3.50
JCRH6D12-1R5	1R5	1.5 \pm 30%	41.3	2.80
JCRH6D12-2R2	2R2	2.2 \pm 30%	50	2.50
JCRH6D12-3R3	3R3	3.3 \pm 30%	62.5	2.20
JCRH6D12-4R2	4R2	4.2 \pm 30%	75	1.90
JCRH6D12-6R4	6R4	6.4 \pm 25%	119	1.50
JCRH6D12-100	100	10 \pm 25%	165	1.20
JCRH6D12-150	150	15 \pm 25%	244	0.95
JCRH6D12-220	220	22 \pm 25%	325	0.80
JCRH6D12-330	330	33 \pm 25%	500	0.65

JCRH6D18



Features/特點

*Excellent solderability and high heat resistance.

良好的可焊性和高耐熱性

*Suitable for a variety of DC/DC converters inductance.

Measuring frequency/測試頻率

*100KHz1V

Description/說明

*Current Rating: Based on the largest decline in ICP to 35 percent and the temperature does not exceed 40 degrees.

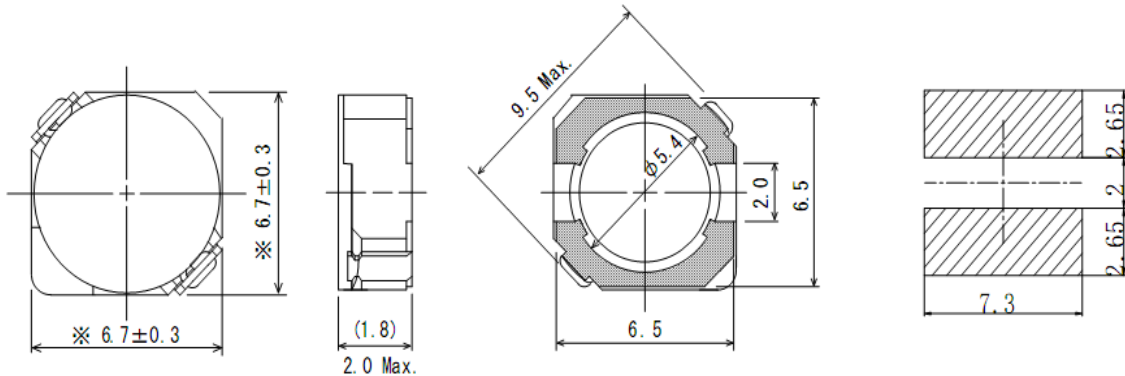
額定電流: 基於電感量最大下降幅度為35%, 以及溫度上升不超過40°C.

DIMENSIONS(mm)

外形尺寸

LAND PATTERNS(mm)

端子安裝尺寸



Type 型號	Indicate 表示	Inductance 電感值(μH)	D.C.R(Max) 直流電阻 (mΩ)	Rated current(Max) 額定電流 (A)
JCRH6D18-1R2	1R2	1.2±30%	41(34)	3.00
JCRH6D18-1R8	1R8	1.8±30%	49(41)	2.90
JCRH6D18-2R5	2R5	2.5±30%	58(48)	2.80
JCRH6D18-3R3	3R3	3.3±30%	67(51)	2.70
JCRH6D18-4R2	4R2	4.2±30%	77(64)	2.60
JCRH6D18-5R0	5R0	5.0±25%	86(72)	2.40
JCRH6D18-6R8	6R8	6.8±25%	105(92)	1.80
JCRH6D18-7R5	7R5	7.5±25%	137(114)	1.70
JCRH6D18-100	100	10±25%	165(136)	1.60
JCRH6D18-150	150	15±25%	300(250)	1.50
JCRH6D18-180	180	18±25%	320(266)	1.30
JCRH6D18-220	220	22±25%	400(320)	1.20
JCRH6D18-330	330	33±25%	600(500)	1.00
JCRH6D18-470	470	47±25%	700(583)	0.80
JCRH6D18-680	680	68±25%	1100(916)	0.70
JCRH6D18-101	101	100±25%	1800(1370)	0.60

JCRH6D28



Features/特點

- *Excellent solderability and high heat resistance.
良好的可焊性和高耐熱性
- *Suitable for a variety of DC/DC converters inductance.

Measuring frequency/測試頻率

- *100KHz1V

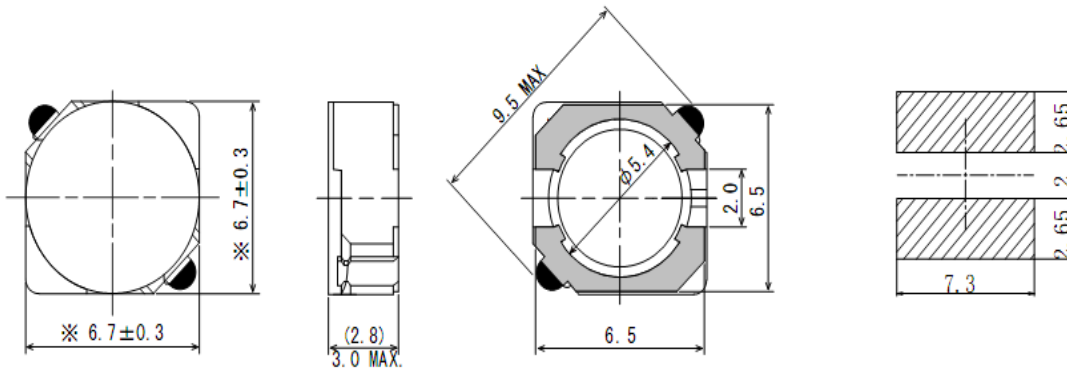
Description/說明

- *Current Rating: Based on the largest decline in ICP to 35 percent and the temperature does not exceed 40 degrees.

額定電流: 基於電感量最大下降幅度為35%, 以及溫度上升不超過40°C.

DIMENSIONS(mm) 外形尺寸

LAND PATTERNS(mm) 端子安裝尺寸



Type 型號	Indicate 表示	Inductance 電感值(μH)	D.C.R(Max) 直流電阻 (mΩ)	Rated current(Max) 額定電流 (A)
JCRH6D28-1R5	1R5	1.5±30%	24(18)	4.80
JCRH6D28-2R2	2R2	2.2±30%	26(23)	4.00
JCRH6D28-3R0	3R0	3.0±30%	28(25)	3.00
JCRH6D28-3R9	3R9	3.9±30%	33(26)	2.60
JCRH6D28-5R0	5R0	5.0±25%	34(27)	2.40
JCRH6D28-6R0	6R0	6.0±25%	38(32)	2.25
JCRH6D28-7R3	7R3	7.3±25%	54(40)	2.10
JCRH6D28-8R6	8R6	8.6±25%	58(43)	1.85
JCRH6D28-100	100	10±25%	65(48)	1.70
JCRH6D28-120	120	12±25%	70(52)	1.55
JCRH6D28-150	150	15±25%	84(62)	1.40
JCRH6D28-180	180	18±25%	95(70)	1.32
JCRH6D28-220	220	22±25%	128(95)	1.20
JCRH6D28-270	270	27±25%	142(105)	1.05
JCRH6D28-151	151	150±25%	640(494)	0.40
JCRH6D28-221	221	220±25%	900(812)	0.35

JCRH6D28B



Features/特點

*Excellent solderability and high heat resistance.

良好的可焊性和高耐熱性

*Suitable for a variety of DC/DC converters inductance.

Measuring frequency/測試頻率

*100KHz1V

Description/說明

*Current Rating: Based on the largest decline in ICP to 35 percent and the temperature does not exceed 40 degrees.

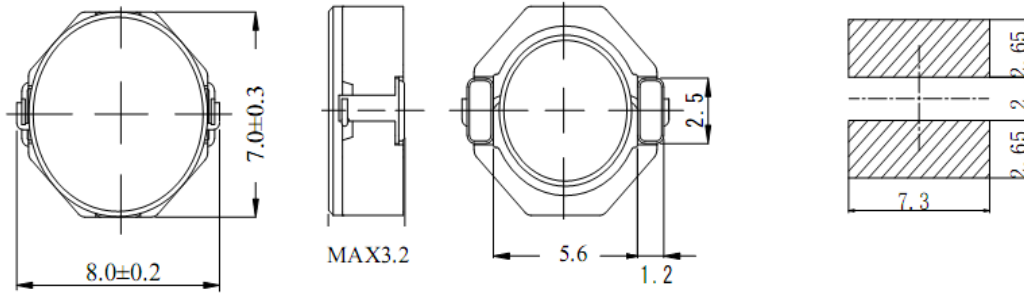
額定電流: 基於電感量最大下降幅度為35%, 以及溫度上升不超過40°C.

DIMENSIONS(mm)

外形尺寸

LAND PATTERNS(mm)

端子安裝尺寸



Type 型號	Indicate 表示	Inductance 電感值(μH)	D.C.R(Max) 直流電阻 (mΩ)	Rated current(Max) 額定電流 (A)
JCRH6D28B-3R3	3R3	3.3±30%	48(40)	2.70
JCRH6D28B-5R6	5R6	5.6±25%	52(43)	2.20
JCRH6D28B-6R8	6R8	6.8±25%	61(50)	1.90
JCRH6D28B-220	220	22±25%	100(91)	1.25
JCRH6D28B-470	470	47±25%	224(186)	0.80
JCRH6D28B-221	221	220±25%	900(736)	0.35
JCRH6D28B-331	331	330±25%	1670(1170)	0.30
JCRH6D28B-471	471	470±25%	2800(2150)	0.25

JCRH6D38



Features/特點

*Excellent solderability and high heat resistance.

良好的可焊性和高耐熱性

*Suitable for a variety of DC/DC converters inductance.

Measuring frequency/測試頻率

*100KHz1V

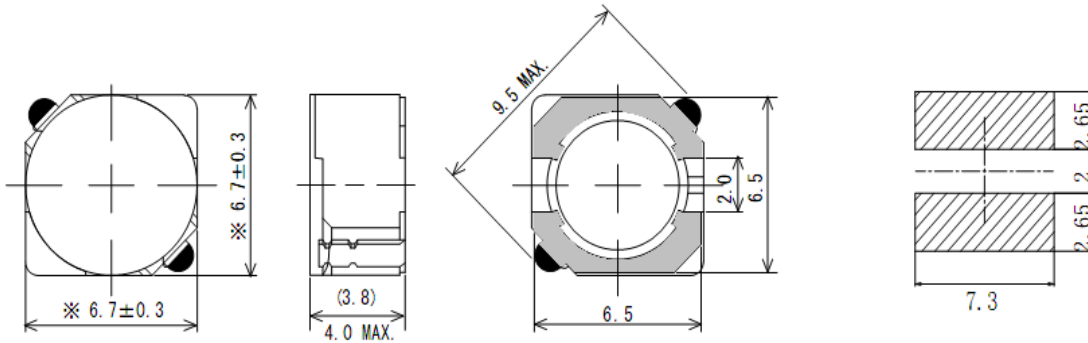
Description/說明

*Current Rating: Based on the largest decline in ICP to 35 percent and the temperature does not exceed 40 degrees.

額定電流: 基於電感量最大下降幅度為35%, 以及溫度上升不超過40°C.

DIMENSIONS(mm) 外形尺寸

LAND PATTERNS(mm) 端子安裝尺寸



Type 型號	Indicate 表示	Inductance 電感值(μ H)	D.C.R(Max) 直流電阻 (m Ω)	Rated current(Max) 額定電流 (A)
JCRH6D38-1R0	1R0	1.0 \pm 30%	16(10)	5.60
JCRH6D38-2R2	2R2	2.2 \pm 30%	19(15)	4.40
JCRH6D38-3R3	3R3	3.3 \pm 30%	25(20)	3.50
JCRH6D38-4R7	4R7	4.7 \pm 30%	26(21)	2.80
JCRH6D38-5R0	5R0	5.0 \pm 25%	27(22)	2.75
JCRH6D38-6R2	6R2	6.2 \pm 25%	29(23)	2.60
JCRH6D38-7R4	7R4	7.4 \pm 25%	31(24)	2.30
JCRH6D38-8R7	8R7	8.7 \pm 25%	34(25)	2.20
JCRH6D38-100	100	10 \pm 25%	38(28)	2.00
JCRH6D38-120	120	12 \pm 25%	53(39)	1.80
JCRH6D38-150	150	15 \pm 25%	57(42)	1.60
JCRH6D38-180	180	18 \pm 25%	92(68)	1.50
JCRH6D38-220	220	22 \pm 25%	96(71)	1.30
JCRH6D38-270	270	27 \pm 25%	109(81)	1.20
JCRH6D38-101	101	100 \pm 25%	372(286)	0.65
JCRH6D38-151	151	150 \pm 25%	483(372)	0.60

JCRH6012



Features/特點

*Excellent solderability and high heat resistance.

良好的可焊性和高耐熱性

*Suitable for a variety of DC/DC converters inductance.

Measuring frequency/測試頻率

*100KHz1V

Description/說明

*Current Rating: Based on the largest decline in ICP to 35 percent and the temperature does not exceed 40 degrees.

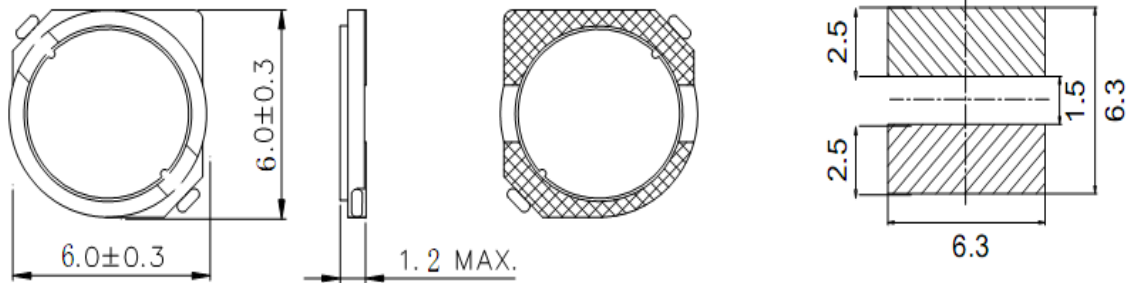
額定電流: 基於電感量最大下降幅度為35%, 以及溫度上升不超過40°C.

DIMENSIONS(mm)

外形尺寸

LAND PATTERNS(mm)

端子安裝尺寸



Type 型號	Indicate 表示	Inductance 電感值(μH)	D.C.R(Max) 直流電阻 (mΩ)	Rated current(Max) 額定電流 (A)
JCRH6012-1R0	1R0	1.0±30%	60(46)	3.40
JCRH6012-3R3	3R3	3.3±30%	155(95)	2.00
JCRH6012-4R7	4R7	4.7±30%	180(120)	1.70
JCRH6012-6R8	6R8	6.8±25%	230(164)	1.40
JCRH6012-8R2	8R2	8.2±25%	280(248)	1.30
JCRH6012-100	100	10±25%	310(274)	1.10
JCRH6012-120	120	12±25%	450(379)	1.00
JCRH6012-150	150	15±25%	480(433)	0.90
JCRH6012-180	180	18±25%	658(506)	0.80
JCRH6012-220	220	22±25%	751(576)	0.75
JCRH6012-270	270	27±25%	820(630)	0.70
JCRH6012-330	330	33±25%	1200(870)	0.65
JCRH6012-470	470	47±25%	1404(1100)	0.55
JCRH6012-560	560	56±25%	1913(1402)	0.45
JCRH6012-680	680	68±25%	2101(1650)	0.40

JCRH6012HP



Features/特點

*Excellent solderability and high heat resistance.

良好的可焊性和高耐熱性

*Suitable for a variety of DC/DC converters inductance.

Measuring frequency/測試頻率

*100KHz1V

Description/說明

*Current Rating: Based on the largest decline in ICP to 35 percent and the temperature does not exceed 40 degrees.

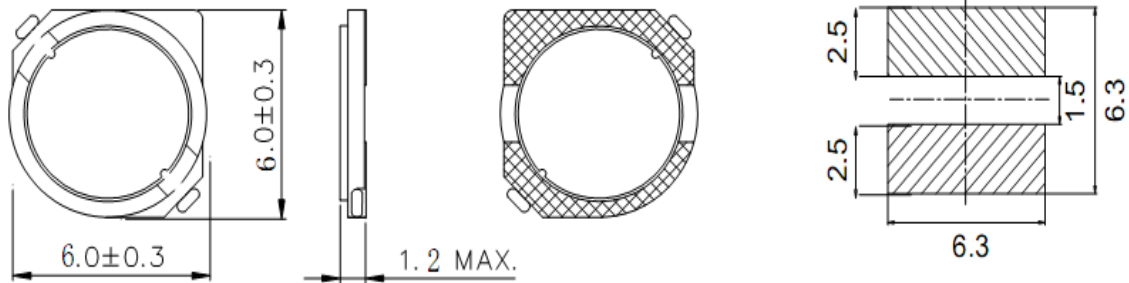
額定電流: 基於電感量最大下降幅度為35%, 以及溫度上升不超過40°C.

DIMENSIONS(mm)

外形尺寸

LAND PATTERNS(mm)

端子安裝尺寸



Type 型號	Indicate 表示	Inductance 電感值(μH)	D.C.R(Max) 直流電阻 (mΩ)	Rated current(Max) 額定電流 (A)
JCRH6012HP-3R3	3R3	3.3±30%	150(125)	2.40
JCRH6012HP-4R7	4R7	4.7±30%	184(156)	2.00
JCRH6012HP-6R8	6R8	6.8±25%	319(245)	1.80
JCRH6012HP-100	100	10±25%	440(287)	1.60
JCRH6012HP-330	330	33±25%	1200(885)	0.60

JCRH7D15



Features/特點

- *Excellent solderability and high heat resistance.
良好的可焊性和高耐熱性
- *Suitable for a variety of DC/DC converters inductance.

Measuring frequency/測試頻率

*100KHz1V

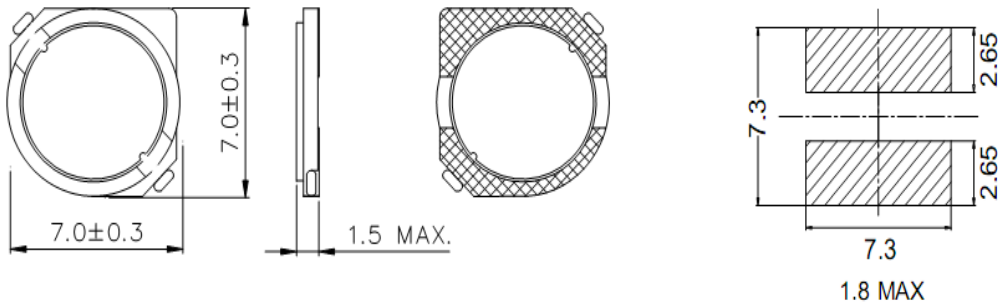
Description/說明

*Current Rating: Based on the largest decline in ICP to 35 percent and the temperature does not exceed 40 degrees.

額定電流: 基於電感量最大下降幅度為35%, 以及溫度上升不超過40°C.

DIMENSIONS(mm) 外形尺寸

LAND PATTERNS(mm) 端子安裝尺寸



Type 型號	Indicate 表示	Inductance 電感值(μH)	D.C.R(Max) 直流電阻 (mΩ)	Rated current(Max) 額定電流 (A)
JCRH7D15-2R2	2R2	2.2±30%	53(41)	3.40
JCRH7D15-3R3	3R3	3.3±30%	67(52)	2.70
JCRH7D15-4R7	4R7	4.7±30%	95(85)	2.20
JCRH7D15-6R8	6R8	6.8±25%	137(106)	1.80
JCRH7D15-100	100	10±25%	150(124)	1.60
JCRH7D15-110	110	11±25%	208(160)	1.55
JCRH7D15-120	120	12±25%	224(173)	1.50
JCRH7D15-150	150	15±25%	296(228)	1.20
JCRH7D15-220	220	22±25%	386(297)	1.00
JCRH7D15-330	330	33±25%	500(389)	0.90

JCRH7D18



Features/特點

- *Excellent solderability and high heat resistance.
良好的可焊性和高耐熱性
- *Suitable for a variety of DC/DC converters inductance.

Measuring frequency/測試頻率

*100KHz1V

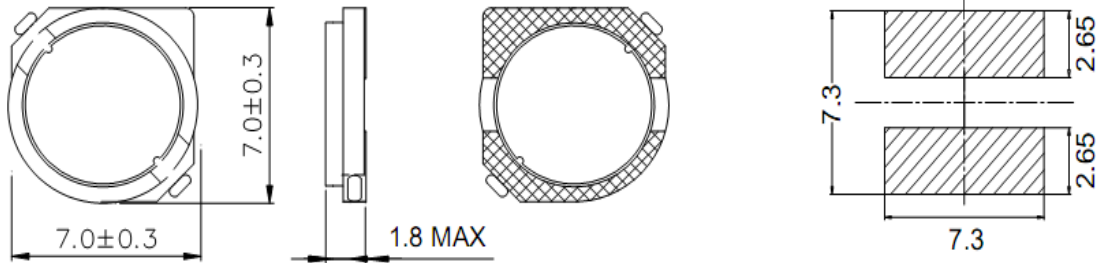
Description/說明

*Current Rating: Based on the largest decline in ICP to 35 percent and the temperature does not exceed 40 degrees.

額定電流: 基於電感量最大下降幅度為35%, 以及溫度上升不超過40°C.

DIMENSIONS(mm) 外形尺寸

LAND PATTERNS(mm) 端子安裝尺寸



Type 型號	Indicate 表示	Inductance 電感值(μH)	D.C.R(Max) 直流電阻 (mΩ)	Rated current(Max) 額定電流 (A)
JCRH7D18-2R2	2R2	2.2±30%	60(45)	3.60
JCRH7D18-3R3	3R3	3.3±30%	84(64)	3.20
JCRH7D18-4R7	4R7	4.7±30%	96(69)	2.80
JCRH7D18-6R8	6R8	6.8±25%	142(100)	2.40
JCRH7D18-100	100	10±25%	148(138)	1.70
JCRH7D18-120	120	12±25%	221(170)	1.60
JCRH7D18-150	150	15±25%	249(192)	1.50
JCRH7D18-220	220	22±25%	403(310)	1.30

JCRH7D20

**Features/特點**

- *Excellent solderability and high heat resistance.
良好的可焊性和高耐熱性
- *Suitable for a variety of DC/DC converters inductance.

Measuring frequency/測試頻率

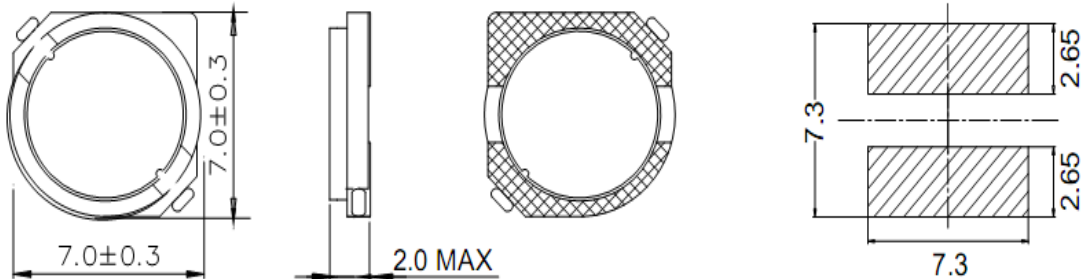
*100KHz1V

Description/說明

*Current Rating: Based on the largest decline in ICP to 35 percent and the temperature does not exceed 40 degrees.

額定電流: 基於電感量最大下降幅度為35%, 以及溫度上升不超過40°C.

DIMENSIONS(mm)
 外形尺寸

LAND PATTERNS(mm)
 端子安裝尺寸


Type 型號	Indicate 表示	Inductance 電感值(μH)	D.C.R(Max) 直流電阻 (mΩ)	Rated current(Max) 額定電流 (A)
JCRH7D20-2R2	2R2	2.2±30%	42(33)	3.80
JCRH7D20-3R3	3R3	3.3±30%	51(39)	3.40
JCRH7D20-4R7	4R7	4.7±30%	78(60)	2.80
JCRH7D20-5R6	5R6	5.6±25%	90(69)	2.60
JCRH7D20-6R8	6R8	6.8±25%	110(85)	2.40
JCRH7D20-8R0	8R0	8.0±25%	117(90)	2.20
JCRH7D20-100	100	10±25%	137(105)	2.00
JCRH7D20-120	120	12±25%	160(123)	1.80
JCRH7D20-150	150	15±25%	201(154)	1.60
JCRH7D20-180	180	18±25%	231(170)	1.40
JCRH7D20-220	220	22±25%	257(197)	1.30
JCRH7D20-330	330	33±25%	380(297)	1.10

JCRH7D23



Features/特點

- *Excellent solderability and high heat resistance.
良好的可焊性和高耐熱性
- *Suitable for a variety of DC/DC converters inductance.

Measuring frequency/測試頻率

*100KHz1V

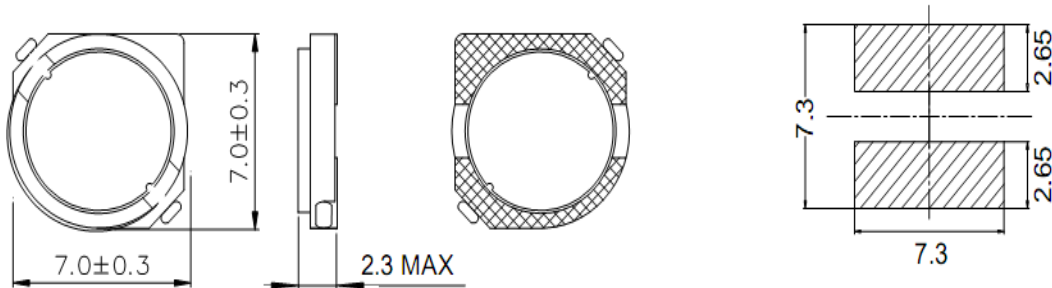
Description/說明

*Current Rating: Based on the largest decline in ICP to 35 percent and the temperature does not exceed 40 degrees.

額定電流: 基於電感量最大下降幅度為35%, 以及溫度上升不超過40°C.

DIMENSIONS(mm) 外形尺寸

LAND PATTERNS(mm) 端子安裝尺寸



Type 型號	Indicate 表示	Inductance 電感值(μH)	D.C.R(Max) 直流電阻 (mΩ)	Rated current(Max) 額定電流 (A)
JCRH7D23-2R2	2R2	2.2±30%	42(33)	3.80
JCRH7D23-3R3	3R3	3.3±30%	51(39)	3.40
JCRH7D23-4R7	4R7	4.7±30%	78(60)	2.80
JCRH7D23-5R6	5R6	5.6±25%	90(69)	2.60
JCRH7D23-6R8	6R8	6.8±25%	110(85)	2.40
JCRH7D23-8R0	8R0	8.0±25%	117(90)	2.20
JCRH7D23-100	100	10±25%	137(105)	2.00
JCRH7D23-120	120	12±25%	160(123)	1.80
JCRH7D23-150	150	15±25%	201(154)	1.60
JCRH7D23-180	180	18±25%	231(170)	1.40
JCRH7D23-220	220	22±25%	257(197)	1.30
JCRH7D23-330	330	33±25%	380(297)	1.10

JCRH7D25

**Features/特點**

- *Excellent solderability and high heat resistance.
良好的可焊性和高耐熱性
- *Suitable for a variety of DC/DC converters inductance.

Measuring frequency/測試頻率

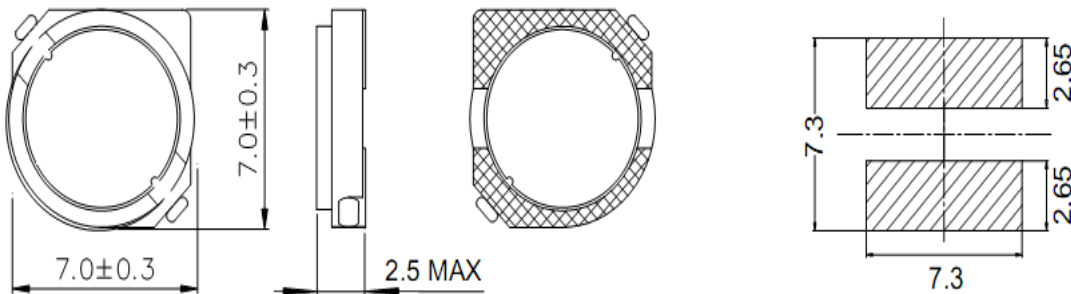
*100KHz1V

Description/說明

*Current Rating: Based on the largest decline in ICP to 35 percent and the temperature does not exceed 40 degrees.

額定電流: 基於電感量最大下降幅度為35%, 以及溫度上升不超過40°C.

DIMENSIONS(mm)
 外形尺寸

LAND PATTERNS(mm)
 端子安裝尺寸


Type 型號	Indicate 表示	Inductance 電感值(μH)	D.C.R(Max) 直流電阻 (mΩ)	Rated current(Max) 額定電流 (A)
JCRH7D25-2R2	2R2	2.2±30%	53(36)	4.40
JCRH7D25-2R7	2R7	2.7±30%	47(40)	4.00
JCRH7D25-4R7	4R7	4.7±30%	70(54)	3.20
JCRH7D25-6R8	6R8	6.8±25%	77(59)	2.80
JCRH7D25-8R2	8R2	8.2±25%	92(70)	2.60
JCRH7D25-100	100	10±25%	120(80)	2.40
JCRH7D25-120	120	12±25%	130(100)	2.00
JCRH7D25-150	150	15±25%	147(113)	1.70
JCRH7D25-180	180	18±25%	193(149)	1.60
JCRH7D25-220	220	22±25%	216(173)	1.50
JCRH7D25-330	330	33±25%	328(254)	1.20
JCRH7D25-470	470	47±25%	520(339)	1.05
JCRH7D25-560	560	56±25%	568(437)	0.90
JCRH7D25-680	680	68±25%	614(471)	0.80

JCRH7D28



Features/特點

- *Excellent solderability and high heat resistance.
良好的可焊性和高耐熱性
- *Suitable for a variety of DC/DC converters inductance.

Measuring frequency/測試頻率

*100KHz1V

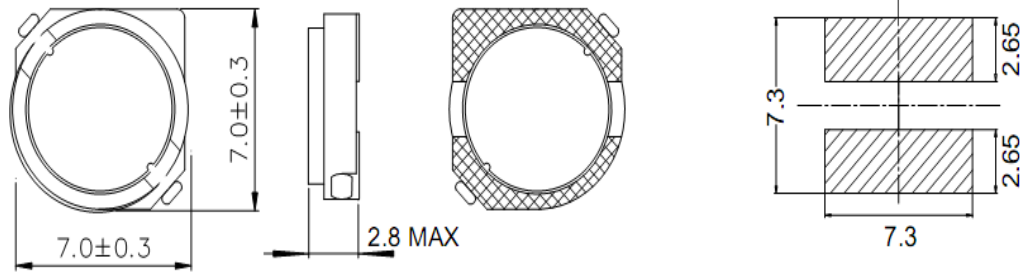
Description/說明

*Current Rating: Based on the largest decline in ICP to 35 percent and the temperature does not exceed 40 degrees.

額定電流: 基於電感量最大下降幅度為35%, 以及溫度上升不超過40°C.

DIMENSIONS(mm) 外形尺寸

LAND PATTERNS(mm) 端子安裝尺寸



Type 型號	Indicate 表示	Inductance 電感值(μH)	D.C.R(Max) 直流電阻 (mΩ)	Rated current(Max) 額定電流 (A)
JCRH7D28-1R8	1R8	1.8±30%	31(25)	4.40
JCRH7D28-2R7	2R7	2.7±30%	33(26)	4.00
JCRH7D28-3R3	3R3	3.3±30%	41(32)	3.60
JCRH7D28-4R3	4R3	4.3±30%	56(43)	3.00
JCRH7D28-5R0	5R0	5.0±25%	59(45)	2.90
JCRH7D28-6R2	6R2	6.2±25%	70(53)	2.80
JCRH7D28-8R7	8R7	8.7±25%	81(63)	2.40
JCRH7D28-100	100	10±25%	77(66)	2.30
JCRH7D28-120	120	12±25%	91(71)	2.20
JCRH7D28-150	150	15±25%	104(80)	1.90
JCRH7D28-180	180	18±25%	135(104)	1.80
JCRH7D28-200	200	20±25%	150(115)	1.60
JCRH7D28-280	280	28±25%	209(161)	1.40
JCRH7D28-300	300	30±25%	223(171)	1.30

JCRH10D15



Features/特點

*Excellent solderability and high heat resistance.

良好的可焊性和高耐熱性

*Suitable for a variety of DC/DC converters inductance.

Measuring frequency/測試頻率

*100KHz1V

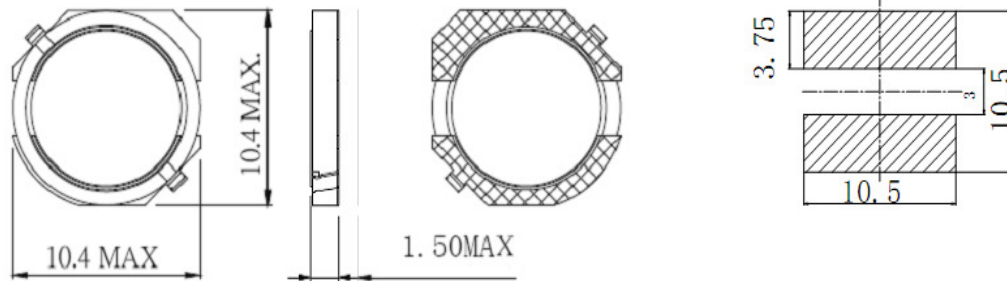
Description/說明

*Current Rating: Based on the largest decline in ICP to 35 percent and the temperature does not exceed 40 degrees.

額定電流: 基於電感量最大下降幅度為35%, 以及溫度上升不超過40°C.

DIMENSIONS(mm) 外形尺寸

LAND PATTERNS(mm) 端子安裝尺寸



Type 型號	Indicate 表示	Inductance 電感值(μ H)	D.C.R(Max) 直流電阻 (m Ω)	Rated current(Max) 額定電流 (A)
JCRH10D15-3R3	3R3	3.3 \pm 30%	76(58)	3.70
JCRH10D15-4R7	4R7	4.7 \pm 30%	84(64)	3.60
JCRH10D15-6R8	6R8	6.8 \pm 25%	124(93)	2.80
JCRH10D15-100	100	10 \pm 25%	181(149)	2.00
JCRH10D15-120	120	12 \pm 25%	204(157)	1.90
JCRH10D15-150	150	15 \pm 25%	236(182)	1.80
JCRH10D15-180	180	18 \pm 25%	262(202)	1.70
JCRH10D15-220	220	22 \pm 25%	352(272)	1.45
JCRH10D15-270	270	27 \pm 25%	378(289)	1.40
JCRH10D15-330	330	33 \pm 25%	453(349)	1.30
JCRH10D15-390	390	39 \pm 25%	583(448)	1.10
JCRH10D15-470	470	47 \pm 25%	648(492)	1.05

JCRH10D18**Features/特點**

- *Excellent solderability and high heat resistance.
良好的可焊性和高耐熱性
- *Suitable for a variety of DC/DC converters inductance.

Measuring frequency/測試頻率

- *100KHz1V

Description/說明

*Current Rating: Based on the largest decline in ICP to 35 percent and the temperature does not exceed 40 degrees.

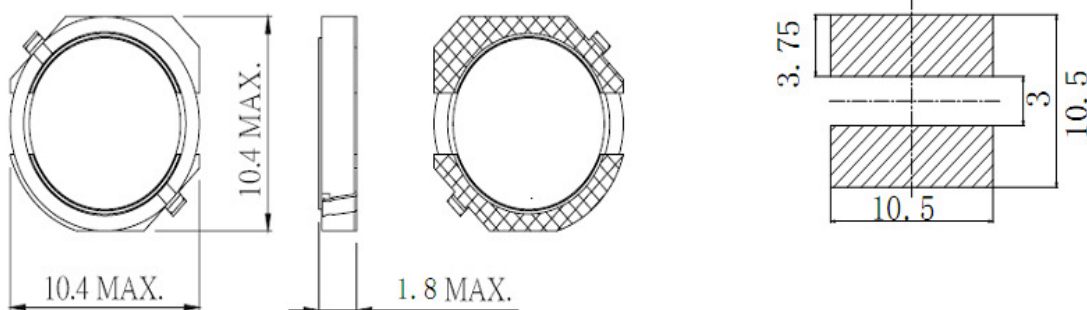
額定電流: 基於電感量最大下降幅度為35%, 以及溫度上升不超過40°C.

DIMENSIONS(mm)

外形尺寸

LAND PATTERNS(mm)

端子安裝尺寸



Type 型號	Indicate 表示	Inductance 電感值(μH)	D.C.R(Max) 直流電阻 (mΩ)	Rated current(Max) 額定電流 (A)
JCRH10D18-5R6	5R6	5.6±25%	77(63)	3.40
JCRH10D18-6R8	6R8	6.8±25%	90(73)	3.20

JCRH10D25



Features/特點

- *Excellent solderability and high heat resistance.
良好的可焊性和高耐熱性
- *Suitable for a variety of DC/DC converters inductance.

Measuring frequency/測試頻率

- *100KHz1V

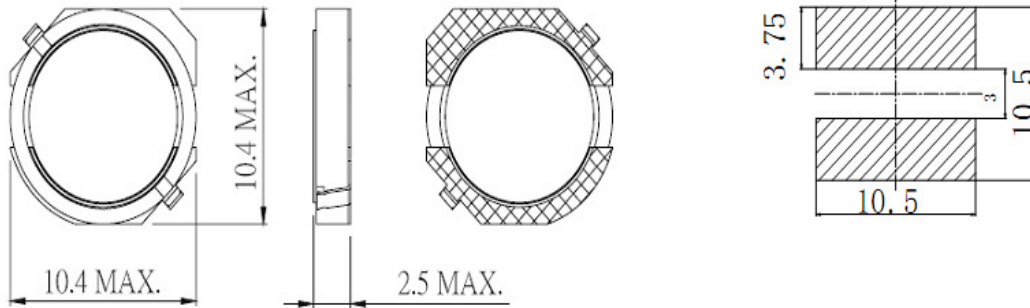
Description/說明

*Current Rating: Based on the largest decline in ICP to 35 percent and the temperature does not exceed 40 degrees.

額定電流: 基於電感量最大下降幅度為35%, 以及溫度上升不超過40°C.

DIMENSIONS(mm) 外形尺寸

LAND PATTERNS(mm) 端子安裝尺寸



Type 型號	Indicate 表示	Inductance 電感值(μ H)	D.C.R(Max) 直流電阻 (m Ω)	Rated current(Max) 額定電流 (A)
JCRH10D25-3R3	3R3	3.3 \pm 30%	46(36)	5.00
JCRH10D25-4R7	4R7	4.7 \pm 30%	49(43)	4.40
JCRH10D25-6R8	6R8	6.8 \pm 25%	56(48)	3.50
JCRH10D25-100	100	10 \pm 25%	85(65)	3.00
JCRH10D25-120	120	12 \pm 25%	116(82)	2.80
JCRH10D25-150	150	15 \pm 25%	123(103)	2.60
JCRH10D25-180	180	18 \pm 25%	143(104)	2.20
JCRH10D25-220	220	22 \pm 25%	180(140)	2.00
JCRH10D25-270	270	27 \pm 25%	204(155)	1.80
JCRH10D25-330	330	33 \pm 25%	263(209)	1.60
JCRH10D25-470	470	47 \pm 25%	360(280)	1.40
JCRH10D25-560	560	56 \pm 25%	452(348)	1.35
JCRH10D25-680	680	68 \pm 25%	509(408)	1.20

JCRH8R23



Features/特點

- *Excellent solderability and high heat resistance.
良好的可焊性和高耐熱性
- *Suitable for a variety of DC/DC converters inductance.

Measuring frequency/測試頻率

*100KHz1V

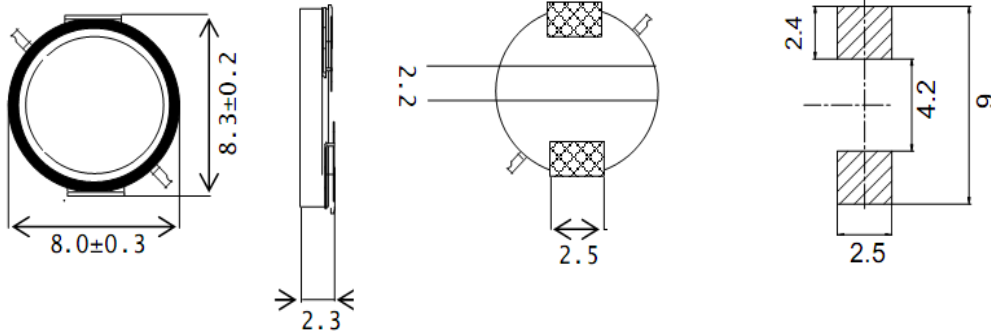
Description/說明

*Current Rating: Based on the largest decline in ICP to 35 percent and the temperature does not exceed 40 degrees.

額定電流: 基於電感量最大下降幅度為35%, 以及溫度上升不超過40°C.

DIMENSIONS(mm) 外形尺寸

LAND PATTERNS(mm) 端子安裝尺寸



Type 型號	Indicate 表示	Inductance 電感值(μH)	D.C.R(Max) 直流電阻 (mΩ)	Rated current(Max) 額定電流 (A)
JCRH8R23-3R3	3R3	3.3±30%	81(62)	4.80
JCRH8R23-4R7	4R7	4.7±30%	91(70)	4.30
JCRH8R23-6R8	6R8	6.8±25%	114(88)	3.50
JCRH8R23-8R2	8R2	8.2±25%	135(104)	3.20
JCRH8R23-100	100	10±25%	143(110)	3.00
JCRH8R23-150	150	15±25%	213(166)	2.40
JCRH8R23-180	180	18±25%	242(190)	2.20
JCRH8R23-220	220	22±25%	271(227)	2.00

JCRH8R25



Features/特點

- *Excellent solderability and high heat resistance.
良好的可焊性和高耐熱性
- *Suitable for a variety of DC/DC converters inductance.

Measuring frequency/測試頻率

*100KHz1V

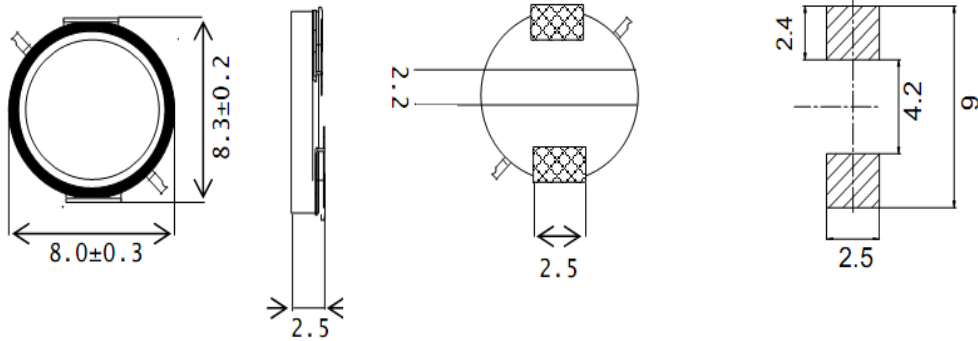
Description/說明

*Current Rating: Based on the largest decline in ICP to 35 percent and the temperature does not exceed 40 degrees.

額定電流: 基於電感量最大下降幅度為35%, 以及溫度上升不超過40°C.

DIMENSIONS(mm) 外形尺寸

LAND PATTERNS(mm) 端子安裝尺寸



Type 型號	Indicate 表示	Inductance 電感值(μ H)	D.C.R(Max) 直流電阻 (m Ω)	Rated current(Max) 額定電流 (A)
JCRH8R25-2R2	2R2	2.2 \pm 30%	49(38)	6.20
JCRH8R25-3R3	3R3	3.3 \pm 30%	70(54)	5.20
JCRH8R25-6R8	6R8	6.8 \pm 25%	102(78)	3.80
JCRH8R25-100	100	10 \pm 25%	120(93)	3.40
JCRH8R25-120	120	12 \pm 25%	162(125)	3.20
JCRH8R25-150	150	15 \pm 25%	190(147)	2.60
JCRH8R25-180	180	18 \pm 25%	215(166)	2.40
JCRH8R25-220	220	22 \pm 25%	241(186)	2.30
JCRH8R25-270	270	27 \pm 25%	372(286)	1.90
JCRH8R25-330	330	33 \pm 25%	416(320)	1.70
JCRH8R25-390	390	39 \pm 25%	454(345)	1.60
JCRH8R25-470	470	47 \pm 25%	610(467)	1.40
JCRH8R25-101	101	100 \pm 25%	1140(879)	1.10

JCRH8D28



Features/特點

*Excellent solderability and high heat resistance.

良好的可焊性和高耐熱性

*Suitable for a variety of DC/DC converters inductance.

Measuring frequency/測試頻率

*100KHz1V

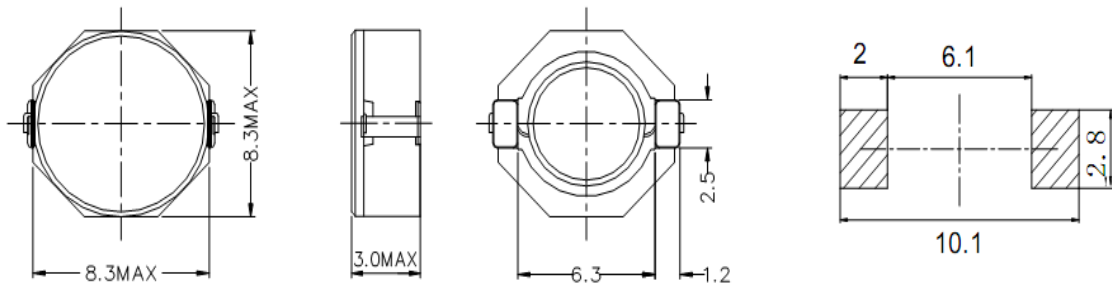
Description/說明

*Current Rating: Based on the largest decline in ICP to 35 percent and the temperature does not exceed 40 degrees.

額定電流: 基於電感量最大下降幅度為35%, 以及溫度上升不超過40°C.

DIMENSIONS(mm) 外形尺寸

LAND PATTERNS(mm) 端子安裝尺寸



Type 型號	Indicate 表示	Inductance 電感值(μ H)	D.C.R(Max) 直流電阻 ($m\Omega$)	Rated current(Max) 額定電流 (A)
JCRH8D28-2R2	2R2	2.2 \pm 30%	26(20)	4.50
JCRH8D28-3R3	3R3	3.3 \pm 30%	28(21)	4.00
JCRH8D28-4R7	4R7	4.7 \pm 30%	39(26)	3.40
JCRH8D28-6R8	6R8	6.8 \pm 25%	45(33)	3.00
JCRH8D28-7R3	7R3	7.3 \pm 25%	58(45)	2.80
JCRH8D28-100	100	10 \pm 25%	63(47)	2.50
JCRH8D28-150	150	15 \pm 25%	69(53)	1.90
JCRH8D28-220	220	22 \pm 25%	99(76)	1.60
JCRH8D28-330	330	33 \pm 25%	156(120)	1.30
JCRH8D28-470	470	47 \pm 25%	195(150)	1.15
JCRH8D28-680	680	68 \pm 25%	286(220)	0.92
JCRH8D28-101	101	100 \pm 25%	430(330)	0.75
JCRH8D28-151	151	150 \pm 25%	681(523)	0.70
JCRH8D28-181	181	180 \pm 25%	757(582)	0.60
JCRH8D28-201	201	200 \pm 25%	970(747)	0.50

JCRH8D28HP



Features/特點

- *Excellent solderability and high heat resistance.
良好的可焊性和高耐熱性
- *Suitable for a variety of DC/DC converters inductance.

Measuring frequency/測試頻率

- *100KHz1V

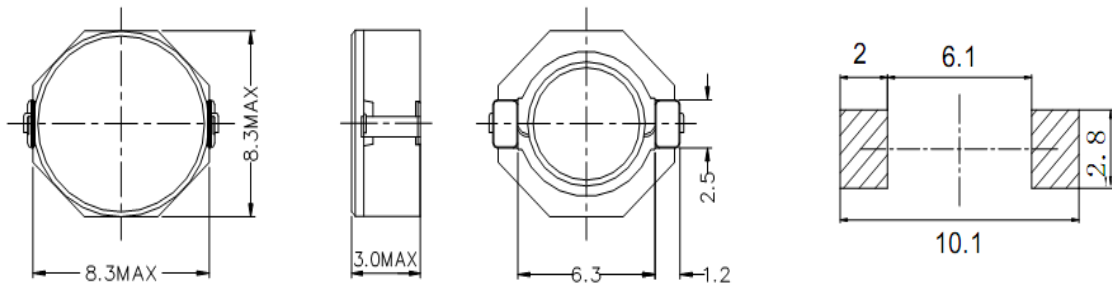
Description/說明

- *Current Rating: Based on the largest decline in ICP to 35 percent and the temperature does not exceed 40 degrees.

額定電流: 基於電感量最大下降幅度為35%, 以及溫度上升不超過40°C.

DIMENSIONS(mm) 外形尺寸

LAND PATTERNS(mm) 端子安裝尺寸



Type 型號	Indicate 表示	Inductance 電感值(μ H)	D.C.R(Max) 直流電阻 (m Ω)	Rated current(Max) 額定電流 (A)
JCRH8D28HP-3R3	3R3	3.3 \pm 30%	35(27)	4.50
JCRH8D28HP-4R7	4R7	4.7 \pm 30%	40(31)	4.30
JCRH8D28HP-7R3	7R3	7.3 \pm 25%	66(51)	3.70
JCRH8D28HP-100	100	10 \pm 25%	78(60)	3.00
JCRH8D28HP-150	150	15 \pm 25%	125(96)	2.70
JCRH8D28HP-220	220	22 \pm 25%	182(140)	2.30
JCRH8D28HP-330	330	33 \pm 25%	286(220)	1.90
JCRH8D28HP-470	470	47 \pm 25%	345(265)	1.70
JCRH8D28HP-680	680	68 \pm 25%	520(400)	1.35

JCRH8D38



Features/特點

*Excellent solderability and high heat resistance.

良好的可焊性和高耐熱性

*Suitable for a variety of DC/DC converters inductance.

Measuring frequency/測試頻率

*100KHz1V

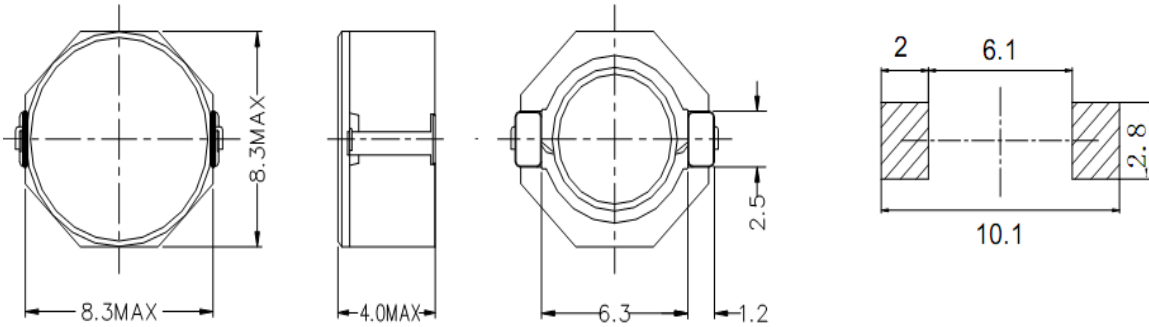
Description/說明

*Current Rating: Based on the largest decline in ICP to 35 percent and the temperature does not exceed 40 degrees.

額定電流: 基於電感量最大下降幅度為35%, 以及溫度上升不超過40°C.

DIMENSIONS(mm) 外形尺寸

LAND PATTERNS(mm) 端子安裝尺寸



Type 型號	Indicate 表示	Inductance 電感值(μ H)	D.C.R(Max) 直流電阻 (m Ω)	Rated current(Max) 額定電流 (A)
JCRH8D38-1R8	1R8	1.8 \pm 30%	16(13)	7.00
JCRH8D38-2R5	2R5	2.5 \pm 30%	17(14)	6.50
JCRH8D38-3R5	3R5	3.5 \pm 30%	23(19)	5.00
JCRH8D38-4R7	4R7	4.7 \pm 30%	28(23)	4.60
JCRH8D38-6R0	6R0	6.0 \pm 25%	30(25)	4.20
JCRH8D38-100	100	10 \pm 25%	70(54)	3.00
JCRH8D38-150	150	15 \pm 25%	76(59)	2.75
JCRH8D38-220	220	22 \pm 25%	101(84)	2.30
JCRH8D38-330	330	33 \pm 25%	150(125)	1.75
JCRH8D38-470	470	47 \pm 25%	182(151)	1.52
JCRH8D38-680	680	68 \pm 25%	326(251)	1.30
JCRH8D38-101	101	100 \pm 25%	410(328)	1.05

JCRH8D43



Features/特點

*Excellent solderability and high heat resistance.

良好的可焊性和高耐熱性

*Suitable for a variety of DC/DC converters inductance.

Measuring frequency/測試頻率

*100KHz1V

Description/說明

*Current Rating: Based on the largest decline in ICP to 35 percent and the temperature does not exceed 40 degrees.

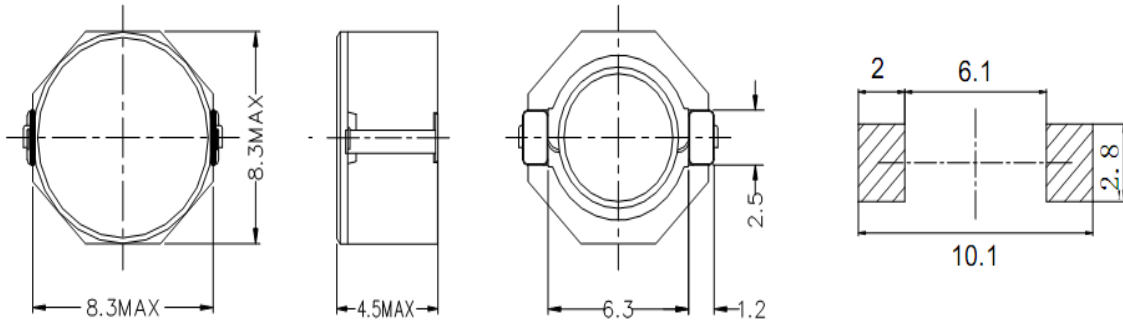
額定電流: 基於電感量最大下降幅度為35%, 以及溫度上升不超過40°C.

DIMENSIONS(mm)

外形尺寸

LAND PATTERNS(mm)

端子安裝尺寸



Type 型號	Indicate 表示	Inductance 電感值(μ H)	D.C.R(Max) 直流電阻 (m Ω)	Rated current(Max) 額定電流 (A)
JCRH8D43-2R0	2R0	2.0 \pm 30%	20(15)	7.00
JCRH8D43-3R3	3R3	3.3 \pm 30%	23(18)	5.90
JCRH8D43-4R7	4R7	4.7 \pm 30%	26(20)	5.60
JCRH8D43-6R8	6R8	6.8 \pm 25%	33(27)	4.40
JCRH8D43-100	100	10 \pm 25%	47(36)	4.00
JCRH8D43-150	150	15 \pm 25%	68(52)	2.90
JCRH8D43-220	220	22 \pm 25%	93(72)	2.60
JCRH8D43-330	330	33 \pm 25%	145(112)	2.20
JCRH8D43-470	470	47 \pm 25%	191(147)	1.80
JCRH8D43-680	680	68 \pm 25%	246(190)	1.50
JCRH8D43-101	101	100 \pm 25%	408(314)	1.30

JCRH8D43HP



Features/特點

*Excellent solderability and high heat resistance.

良好的可焊性和高耐熱性

*Suitable for a variety of DC/DC converters inductance.

Measuring frequency/測試頻率

*100KHz1V

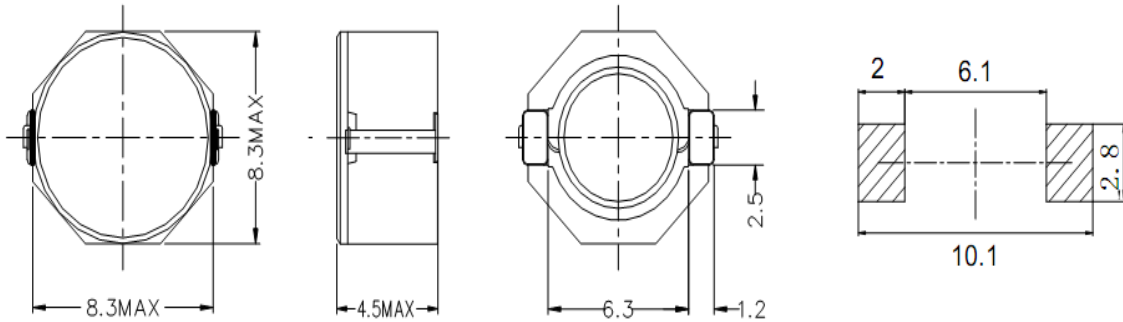
Description/說明

*Current Rating: Based on the largest decline in ICP to 35 percent and the temperature does not exceed 40 degrees.

額定電流: 基於電感量最大下降幅度為35%, 以及溫度上升不超過40°C.

DIMENSIONS(mm) 外形尺寸

LAND PATTERNS(mm) 端子安裝尺寸



Type 型號	Indicate 表示	Inductance 電感值(μ H)	D.C.R(Max) 直流電阻 (m Ω)	Rated current(Max) 額定電流 (A)
JCRH8D43HP-1R2	1R2	1.2 \pm 30%	17(12)	12.60
JCRH8D43HP-2R7	2R7	2.7 \pm 30%	20(16)	8.60
JCRH8D43HP-4R7	4R7	4.7 \pm 30%	27(21)	6.20
JCRH8D43HP-6R8	6R8	6.8 \pm 25%	36(31)	5.60
JCRH8D43HP-100	100	10 \pm 25%	53(45)	4.30
JCRH8D43HP-150	150	15 \pm 25%	75(64)	3.70
JCRH8D43HP-220	220	22 \pm 25%	125(103)	3.00
JCRH8D43HP-330	330	33 \pm 25%	150(123)	2.50
JCRH8D43HP-470	470	47 \pm 25%	238(183)	2.00
JCRH8D43HP-680	680	68 \pm 25%	363(294)	1.60

JCRH8D58LD



Features/特點

*Excellent solderability and high heat resistance.

良好的可焊性和高耐熱性

*Suitable for a variety of DC/DC converters inductance.

Measuring frequency/測試頻率

*100KHz1V

Description/說明

*Current Rating: Based on the largest decline in ICP to 35 percent and the temperature does not exceed 40 degrees.

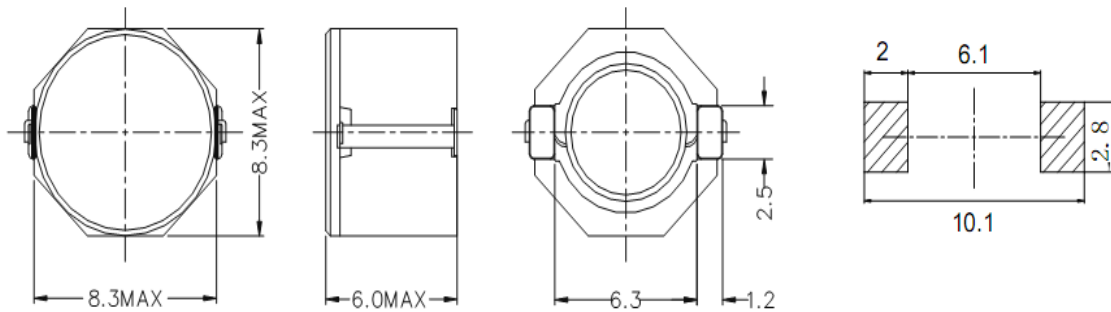
額定電流: 基於電感量最大下降幅度為35%, 以及溫度上升不超過40°C.

DIMENSIONS(mm)

外形尺寸

LAND PATTERNS(mm)

端子安裝尺寸



Type 型號	Indicate 表示	Inductance 電感值(μ H)	D.C.R(Max) 直流電阻 (m Ω)	Rated current(Max) 額定電流 (A)
JCRH8D58LD-2R8	2R8	2.8 \pm 30%	16(12)	4.70
JCRH8D58LD-3R9	3R9	3.9 \pm 30%	17(13)	4.10
JCRH8D58LD-5R0	5R0	5.0 \pm 25%	18(14)	3.80
JCRH8D58LD-6R2	6R2	6.2 \pm 25%	21(16)	3.30
JCRH8D58LD-100	100	10 \pm 25%	27(20)	2.60
JCRH8D58LD-150	150	15 \pm 25%	38(29)	2.30
JCRH8D58LD-220	220	22 \pm 25%	47(36)	1.70
JCRH8D58LD-330	330	33 \pm 25%	68(52)	1.50
JCRH8D58LD-470	470	47 \pm 25%	94(72)	1.20
JCRH8D58LD-680	680	68 \pm 25%	135(104)	1.00
JCRH8D58LD-101	101	100 \pm 25%	182(140)	0.80

JCRH72



Features/特點

- *Excellent solderability and high heat resistance.
良好的可焊性和高耐熱性
- *Suitable for a variety of DC/DC converters inductance.

Measuring frequency/測試頻率

*100KHz1V

Description/說明

*Current Rating: Based on the largest decline in ICP to 35 percent and the temperature does not exceed 40 degrees.

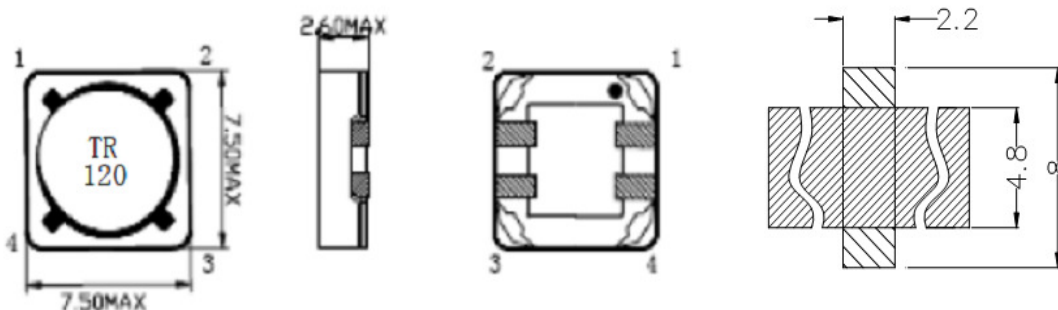
額定電流: 基於電感量最大下降幅度為35%, 以及溫度上升不超過40°C.

DIMENSIONS(mm)

外形尺寸

LAND PATTERNS(mm)

端子安裝尺寸



Type 型號	Indicate 表示	Inductance 電感值(μ H)	D.C.R(Max) 直流電阻 (m Ω)	Rated current(Max) 額定電流 (A)
JCRH72-100	100	10 \pm 25%	280	1.20
JCRH72-120	120	12 \pm 25%	310	1.00
JCRH72-150	150	15 \pm 25%	360	0.80
JCRH72-180	180	18 \pm 25%	400	0.70
JCRH72-220	220	22 \pm 25%	435	0.60
JCRH72-270	270	27 \pm 25%	468	0.50
JCRH72-330	330	33 \pm 25%	530	0.45
JCRH72-390	390	39 \pm 25%	640	0.40
JCRH72-470	470	47 \pm 25%	720	0.30

JCRH73



Features/特點

- *Excellent solderability and high heat resistance.
良好的可焊性和高耐熱性
- *Suitable for a variety of DC/DC converters inductance.

Measuring frequency/測試頻率

*100KHz1V

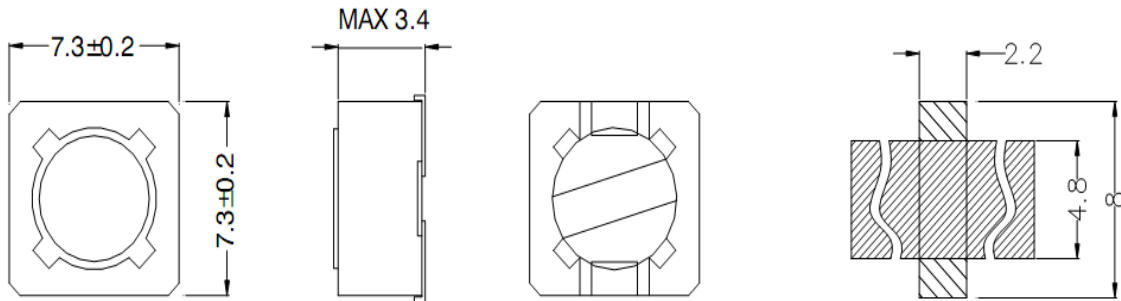
Description/說明

*Current Rating: Based on the largest decline in ICP to 35 percent and the temperature does not exceed 40 degrees.

額定電流: 基於電感量最大下降幅度為35%, 以及溫度上升不超過40°C.

DIMENSIONS(mm) 外形尺寸

LAND PATTERNS(mm) 端子安裝尺寸



Type 型號	Indicate 表示	Inductance 電感值(μH)	D.C.R(Max) 直流電阻 (mΩ)	Rated current(Max) 額定電流 (A)
JCRH73-100	100	10±25%	72(55)	1.68
JCRH73-120	120	12±25%	98(75)	1.52
JCRH73-150	150	15±25%	130(96)	1.33
JCRH73-180	180	18±25%	140(110)	1.20
JCRH73-220	220	22±25%	190(150)	1.07
JCRH73-270	270	27±25%	210(160)	0.96
JCRH73-330	330	33±25%	240(180)	0.91
JCRH73-390	390	39±25%	320(250)	0.77
JCRH73-470	470	47±25%	360(280)	0.76
JCRH73-560	560	56±25%	470(360)	0.68
JCRH73-680	680	68±25%	520(400)	0.61
JCRH73-820	820	82±25%	690(530)	0.57
JCRH73-101	101	100±25%	790(610)	0.50
JCRH73-121	121	120±25%	890(690)	0.49
JCRH73-151	151	150±25%	1270(1020)	0.43
JCRH73-181	181	180±25%	1450(1160)	0.39
JCRH73-221	221	220±25%	1650(1320)	0.35
JCRH73-271	271	270±25%	2310(1850)	0.32

JCRH74



Features/特點

- *Excellent solderability and high heat resistance.
良好的可焊性和高耐熱性
- *Suitable for a variety of DC/DC converters inductance.

Measuring frequency/測試頻率

*100KHz1V

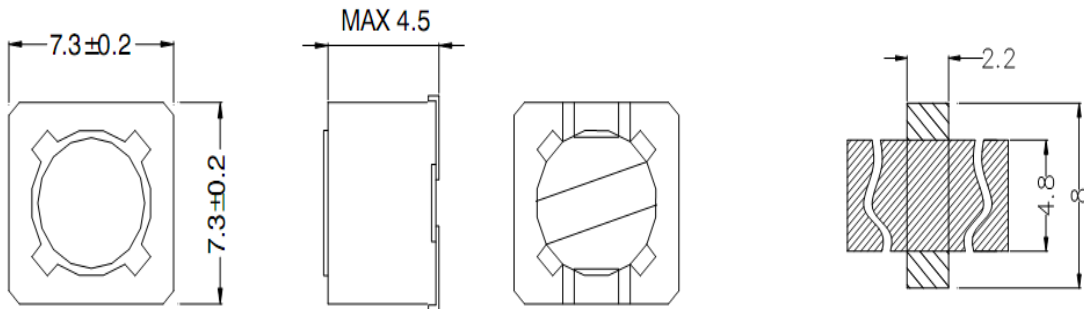
Description/說明

*Current Rating: Based on the largest decline in ICP to 35 percent and the temperature does not exceed 40 degrees.

額定電流: 基於電感量最大下降幅度為35%, 以及溫度上升不超過40°C.

DIMENSIONS(mm) 外形尺寸

LAND PATTERNS(mm) 端子安裝尺寸



Type 型號	Indicate 表示	Inductance 電感值(μ H)	D.C.R(Max) 直流電阻 (m Ω)	Rated current(Max) 額定電流 (A)
JCRH74-100	100	10 \pm 25%	49(38)	1.84
JCRH74-120	120	12 \pm 25%	58(44)	1.71
JCRH74-150	150	15 \pm 25%	81(62)	1.47
JCRH74-180	180	18 \pm 25%	91(70)	1.31
JCRH74-220	220	22 \pm 25%	110(77)	1.23
JCRH74-270	270	27 \pm 25%	150(120)	1.12
JCRH74-330	330	33 \pm 25%	170(130)	0.96
JCRH74-390	390	39 \pm 25%	230(180)	0.91
JCRH74-470	470	47 \pm 25%	260(200)	0.88
JCRH74-560	560	56 \pm 25%	350(270)	0.75
JCRH74-680	680	68 \pm 25%	380(300)	0.69
JCRH74-820	820	82 \pm 25%	430(330)	0.61
JCRH74-101	101	100 \pm 25%	610(470)	0.60
JCRH74-121	121	120 \pm 25%	660(510)	0.52
JCRH74-151	151	150 \pm 25%	880(680)	0.46
JCRH74-181	181	180 \pm 25%	980(760)	0.42
JCRH74-221	221	220 \pm 25%	1170(900)	0.36
JCRH74-271	271	270 \pm 25%	1640(1320)	0.34

JCRH103R



Features/特點

*Excellent solderability and high heat resistance.

良好的可焊性和高耐熱性

*Suitable for a variety of DC/DC converters inductance.

Measuring frequency/測試頻率

*100KHz1V

Description/說明

*Current Rating: Based on the largest decline in ICP to 35 percent and the temperature does not exceed 40 degrees.

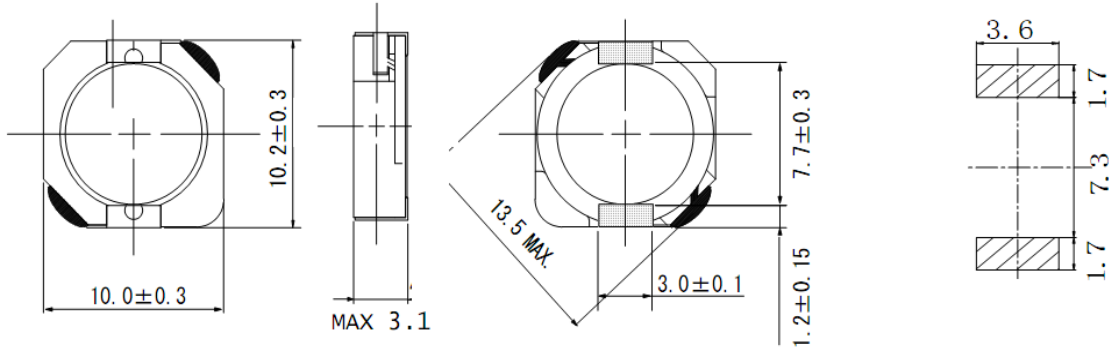
額定電流: 基於電感量最大下降幅度為35%, 以及溫度上升不超過40°C.

DIMENSIONS(mm)

外形尺寸

LAND PATTERNS(mm)

端子安裝尺寸



Type 型號	Indicate 表示	Inductance 電感值(μH)	D.C.R(Max) 直流電阻 (mΩ)	Rated current(Max) 額定電流 (A)
JCRH103R-0R8	0R8	0.8±30%	6(5)	11.20
JCRH103R-1R5	1R5	1.5±30%	11(9)	8.00
JCRH103R-2R2	2R2	2.2±30%	17(13)	6.70
JCRH103R-3R3	3R3	3.3±30%	21(16)	5.56
JCRH103R-4R7	4R7	4.7±30%	30(23)	4.65
JCRH103R-6R8	6R8	6.8±25%	35(27)	3.84
JCRH103R-8R2	8R2	8.2±25%	50(38)	3.54
JCRH103R-100	100	10±25%	59(45)	3.18
JCRH103R-150	150	15±25%	91(70)	2.60
JCRH103R-220	220	22±25%	143(110)	2.16
JCRH103R-330	330	33±25%	202(155)	1.74
JCRH103R-470	470	47±25%	299(230)	1.43
JCRH103R-560	560	56±25%	325(250)	1.36
JCRH103R-680	680	68±25%	429(330)	1.22
JCRH103R-820	820	82±25%	494(380)	1.14
JCRH103R-101	101	100±25%	683(525)	1.02
JCRH103R-121	121	120±25%	754(580)	0.89
JCRH103R-151	151	150±25%	871(670)	0.84

JCRH104R



Features/特點

*Excellent solderability and high heat resistance.

良好的可焊性和高耐熱性

*Suitable for a variety of DC/DC converters inductance.

Measuring frequency/測試頻率

*100KHz1V

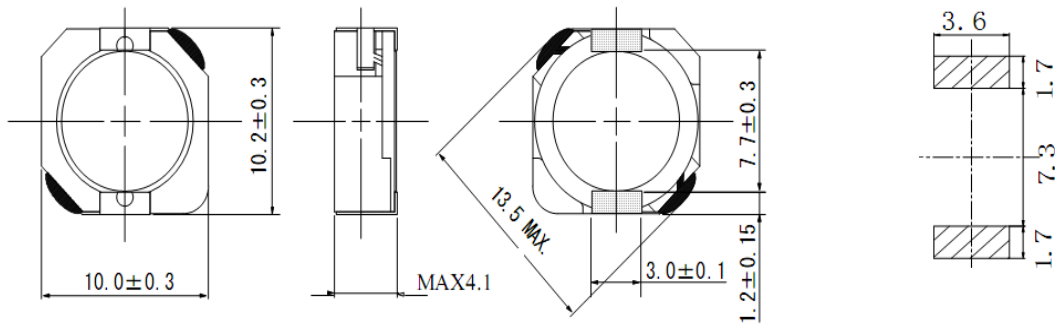
Description/說明

*Current Rating: Based on the largest decline in ICP to 35 percent and the temperature does not exceed 40 degrees.

額定電流: 基於電感量最大下降幅度為35%, 以及溫度上升不超過40°C.

DIMENSIONS(mm) 外形尺寸

LAND PATTERNS(mm) 端子安裝尺寸



Type 型號	Indicate 表示	Inductance 電感值(μH)	D.C.R(Max) 直流電阻 (mΩ)	Rated current(Max) 額定電流 (A)
JCRH104R-1R5	1R5	1.5±30%	10(8)	7.50
JCRH104R-2R5	2R5	2.5±30%	26(20)	6.50
JCRH104R-3R3	3R3	3.3±30%	28(23)	6.20
JCRH104R-4R7	4R7	4.7±30%	33(26)	6.00
JCRH104R-6R8	6R8	6.8±25%	36(28)	4.80
JCRH104R-100	100	10±25%	39(29)	4.40
JCRH104R-150	150	15±25%	58(45)	3.60
JCRH104R-220	220	22±25%	82(63)	2.90
JCRH104R-330	330	33±25%	114(88)	2.30
JCRH104R-470	470	47±25%	182(140)	2.10
JCRH104R-680	680	68±25%	213(158)	1.50
JCRH104R-101	101	100±25%	340(262)	1.35
JCRH104R-151	151	150±25%	506(389)	1.15
JCRH104R-221	221	220±25%	855(658)	0.92
JCRH104R-331	331	330±25%	1170(896)	0.70
JCRH104R-471	471	470±25%	1380(1070)	0.60

JCRH105R



Features/特點

*Excellent solderability and high heat resistance.

良好的可焊性和高耐熱性

*Suitable for a variety of DC/DC converters inductance.

Measuring frequency/測試頻率

*100KHz1V

Description/說明

*Current Rating: Based on the largest decline in ICP to 35 percent and the temperature does not exceed 40 degrees.

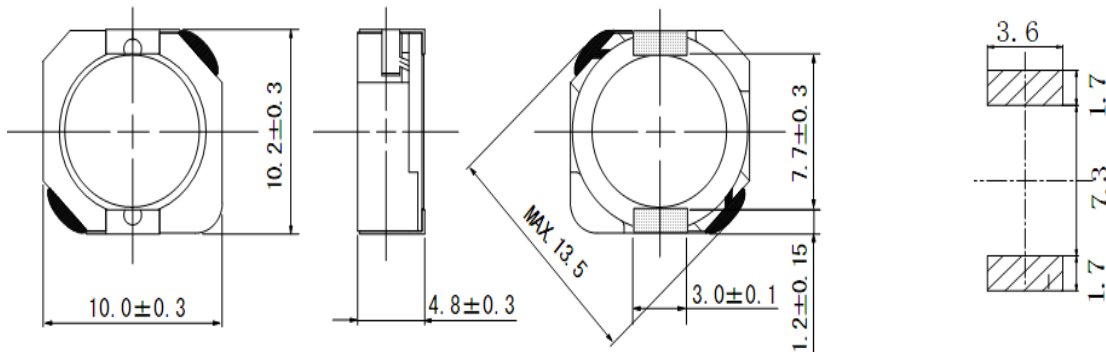
額定電流: 基於電感量最大下降幅度為35%, 以及溫度上升不超過40°C.

DIMENSIONS(mm)

外形尺寸

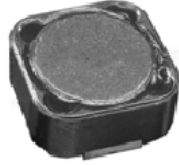
LAND PATTERNS(mm)

端子安裝尺寸



Type 型號	Indicate 表示	Inductance 電感值(μ H)	D.C.R(Max) 直流電阻 ($m\Omega$)	Rated current(Max) 額定電流 (A)
JCRH105R-0R8	0R8	0.8 \pm 30%	4(3)	9.50
JCRH105R-1R5	1R5	1.5 \pm 30%	6(5)	9.50
JCRH105R-2R2	2R2	2.2 \pm 30%	7(6)	7.50
JCRH105R-3R3	3R3	3.3 \pm 30%	10(8)	6.50
JCRH105R-4R7	4R7	4.7 \pm 30%	12(10)	6.10
JCRH105R-6R8	6R8	6.8 \pm 25%	18(14)	5.40
JCRH105R-8R2	8R2	8.2 \pm 25%	20(16)	5.00
JCRH105R-100	100	10 \pm 25%	26(20)	4.50
JCRH105R-120	120	12 \pm 25%	33(25)	3.80
JCRH105R-150	150	15 \pm 25%	41(32)	3.40
JCRH105R-180	180	18 \pm 25%	46(35)	3.10
JCRH105R-220	220	22 \pm 25%	61(47)	2.90
JCRH105R-270	270	27 \pm 25%	69(53)	2.60
JCRH105R-330	330	33 \pm 25%	84(65)	2.50
JCRH105R-390	390	39 \pm 25%	106(82)	2.25
JCRH105R-470	470	47 \pm 25%	130(100)	2.00

JCRH124



Features/特點

*Excellent solderability and high heat resistance.

良好的可焊性和高耐熱性

*Suitable for a variety of DC/DC converters inductance.

Measuring frequency/測試頻率

*100KHz1V

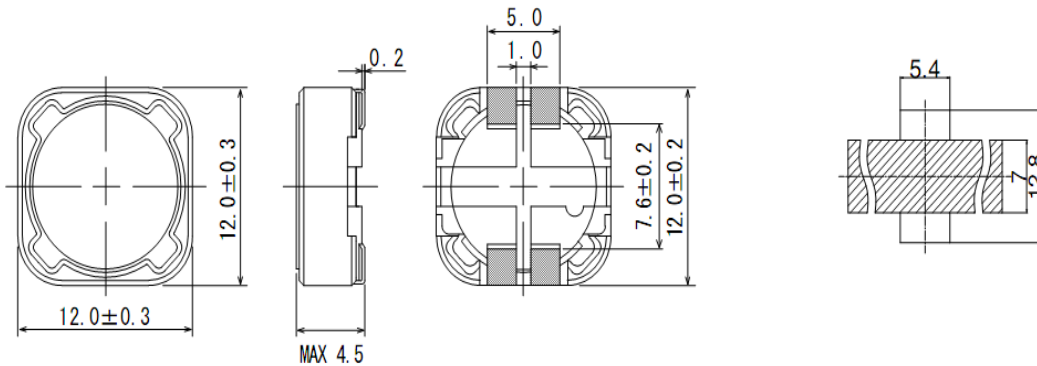
Description/說明

*Current Rating: Based on the largest decline in ICP to 35 percent and the temperature does not exceed 40 degrees.

額定電流: 基於電感量最大下降幅度為35%, 以及溫度上升不超過40°C.

DIMENSIONS(mm) 外形尺寸

LAND PATTERNS(mm) 端子安裝尺寸



Type 型號	Indicate 表示	Inductance 電感值(μH)	D.C.R(Max) 直流電阻 (mΩ)	Rated current(Max) 額定電流 (A)
JCRH124-3R9	3R9	3.9±30%	15(14)	6.50
JCRH124-4R7	4R7	4.7±30%	18(16)	5.70
JCRH124-6R8	6R8	6.8±25%	23(20)	4.90
JCRH124-8R2	8R2	8.2±25%	26(22)	4.60
JCRH124-100	100	10±25%	28(24)	4.50
JCRH124-120	120	12±25%	38(32)	4.00
JCRH124-150	150	15±25%	50(44)	3.20
JCRH124-180	180	18±25%	57(48)	3.10
JCRH124-220	220	22±25%	66(55)	2.90
JCRH124-270	270	27±25%	80(67)	2.80
JCRH124-330	330	33±25%	97(81)	2.70
JCRH124-470	470	47±25%	150(125)	1.90
JCRH124-101	101	100±25%	308(237)	1.20
JCRH124-331	331	330±25%	990(825)	0.50

JCRH125



Features/特點

- *Excellent solderability and high heat resistance.
良好的可焊性和高耐熱性
- *Suitable for a variety of DC/DC converters inductance.

Measuring frequency/測試頻率

*100KHz1V

Description/說明

*Current Rating: Based on the largest decline in ICP to 35 percent and the temperature does not exceed 40 degrees.

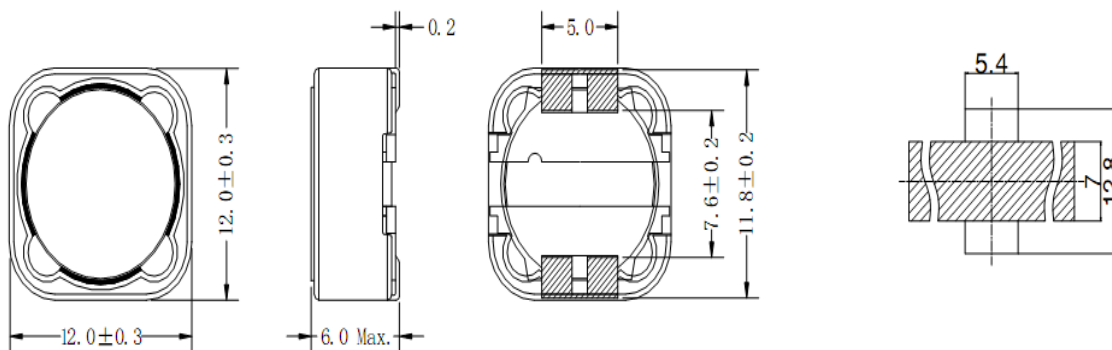
額定電流: 基於電感量最大下降幅度為35%, 以及溫度上升不超過40°C.

DIMENSIONS(mm)

外形尺寸

LAND PATTERNS(mm)

端子安裝尺寸



Type 型號	Indicate 表示	Inductance 電感值(μ H)	D.C.R(Max) 直流電阻 ($m\Omega$)	Rated current(Max) 額定電流 (A)
JCRH125-1R3	1R3	1.3 \pm 30%	12(9)	8.00
JCRH125-2R1	2R1	2.1 \pm 30%	14(11)	7.00
JCRH125-3R1	3R1	3.1 \pm 30%	17(13)	6.00
JCRH125-4R4	4R4	4.4 \pm 30%	20(16)	5.00
JCRH125-5R8	5R8	5.8 \pm 25%	21(17)	4.40
JCRH125-7R5	7R5	7.5 \pm 25%	24(19)	4.20
JCRH125-100	100	10 \pm 25%	25(19)	4.00
JCRH125-120	120	12 \pm 25%	27(21)	3.50
JCRH125-150	150	15 \pm 25%	30(23)	3.30
JCRH125-180	180	18 \pm 25%	34(26)	3.00
JCRH125-220	220	22 \pm 25%	36(39)	2.80
JCRH125-470	470	47 \pm 25%	110(84)	1.80
JCRH125-101	101	100 \pm 25%	170(130)	1.30
JCRH125-681	681	680 \pm 25%	1340(1030)	0.48

JCRH127



Features/特點

- *Excellent solderability and high heat resistance.
良好的可焊性和高耐熱性
- *Suitable for a variety of DC/DC converters inductance.

Measuring frequency/測試頻率

*100KHz1V

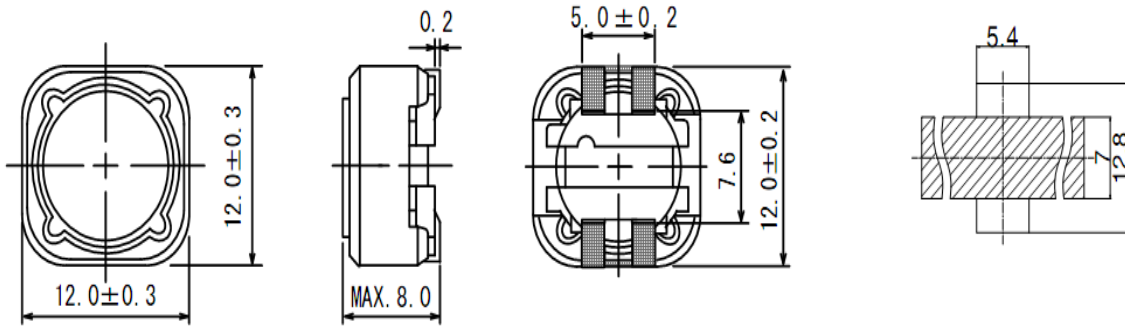
Description/說明

*Current Rating: Based on the largest decline in ICP to 35 percent and the temperature does not exceed 40 degrees.

額定電流: 基於電感量最大下降幅度為35%, 以及溫度上升不超過40°C.

DIMENSIONS(mm) 外形尺寸

LAND PATTERNS(mm) 端子安裝尺寸



Type 型號	Indicate 表示	Inductance 電感值(μH)	D.C.R(Max) 直流電阻 ($\text{m}\Omega$)	Rated current(Max) 額定電流 (A)
JCRH127-1R2	1R2	$1.2 \pm 30\%$	7(5)	9.80
JCRH127-2R4	2R4	$2.4 \pm 30\%$	12(8)	8.00
JCRH127-3R5	3R5	$3.5 \pm 30\%$	14(10)	7.50
JCRH127-4R7	4R7	$4.7 \pm 30\%$	16(12)	6.80
JCRH127-6R1	6R1	$6.1 \pm 25\%$	18(13)	6.60
JCRH127-7R6	7R6	$7.6 \pm 25\%$	20(15)	5.90
JCRH127-100	100	$10 \pm 25\%$	22(16)	5.40
JCRH127-120	120	$12 \pm 25\%$	24(18)	4.90
JCRH127-150	150	$15 \pm 25\%$	27(20)	4.50
JCRH127-180	180	$18 \pm 25\%$	39(29)	3.90
JCRH127-220	220	$22 \pm 25\%$	43(32)	3.60
JCRH127-470	470	$47 \pm 25\%$	100(76)	2.50
JCRH127-101	101	$100 \pm 25\%$	200(170)	1.70
JCRH127-102	102	$1000 \pm 25\%$	1820(1400)	0.55

JCRH127LD



Features/特點

- *Excellent solderability and high heat resistance.
良好的可焊性和高耐熱性
- *Suitable for a variety of DC/DC converters inductance.

Measuring frequency/測試頻率

*100KHz1V

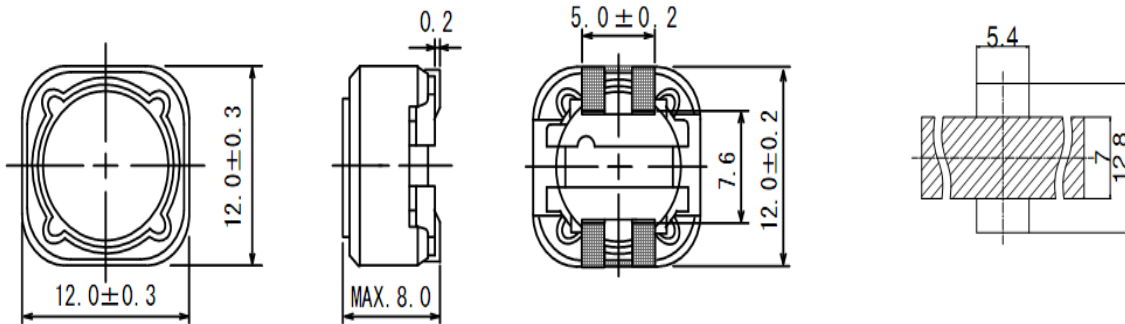
Description/說明

*Current Rating: Based on the largest decline in ICP to 35 percent and the temperature does not exceed 40 degrees.

額定電流: 基於電感量最大下降幅度為35%, 以及溫度上升不超過40°C.

DIMENSIONS(mm) 外形尺寸

LAND PATTERNS(mm) 端子安裝尺寸



Type 型號	Indicate 表示	Inductance 電感值(μ H)	D.C.R(Max) 直流電阻 ($m\Omega$)	Rated current(Max) 額定電流 (A)
JCRH127LD-1R0	1R0	$1.2 \pm 30\%$	7(5)	14.00
JCRH127LD-2R4	2R4	$2.4 \pm 30\%$	11(8)	10.30
JCRH127LD-3R5	3R5	$3.5 \pm 30\%$	3(10)	9.30
JCRH127LD-4R6	4R6	$4.6 \pm 30\%$	14(11)	9.10
JCRH127LD-5R8	5R8	$5.8 \pm 25\%$	16(13)	8.60
JCRH127LD-7R4	7R4	$7.4 \pm 25\%$	18(14)	7.40
JCRH127LD-100	100	$10 \pm 25\%$	20(15)	6.70
JCRH127LD-120	120	$12 \pm 25\%$	22(17)	6.45
JCRH127LD-150	150	$15 \pm 25\%$	24(20)	5.65
JCRH127LD-180	180	$18 \pm 25\%$	28(22)	5.10
JCRH127LD-220	220	$22 \pm 25\%$	78(60)	4.70
JCRH127LD-470	470	$47 \pm 25\%$	100(76)	3.25
JCRH127LD-101	101	$100 \pm 25\%$	151(119)	2.10
JCRH127LD-102	102	$1000 \pm 25\%$	1500(1150)	0.70

JCD32



Features/特點

- *Excellent solderability and high heat resistance.
良好的可焊性和高耐熱性
- *Suitable for a variety of DC/DC converters inductance.

Measuring frequency/測試頻率

*100KHz1V

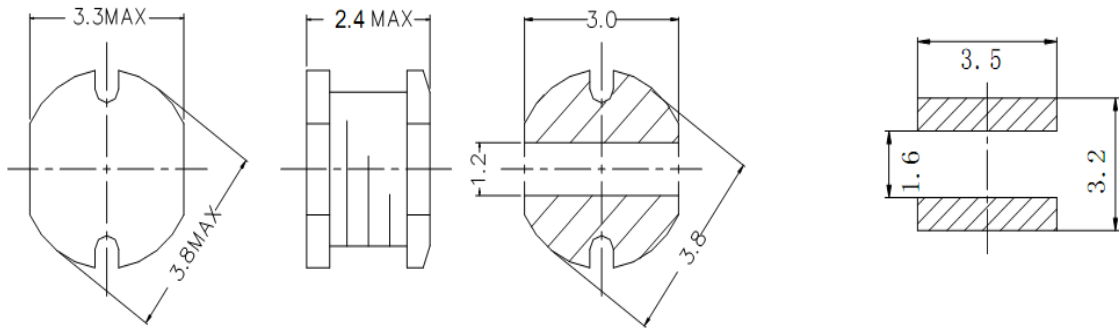
Description/說明

*Current Rating: Based on the largest decline in ICP to 35 percent and the temperature does not exceed 40 degrees.

額定電流: 基於電感量最大下降幅度為35%, 以及溫度上升不超過40°C.

DIMENSIONS(mm) 外形尺寸

LAND PATTERNS(mm) 端子安裝尺寸



Type 型號	Indicate 表示	Inductance 電感值(μ H)	D.C.R(Max) 直流電阻 (m Ω)	Rated current(Max) 額定電流 (A)
JCD32-2R2	2R2	2.2 \pm 20%	95	1.39
JCD32-4R7	4R7	4.7 \pm 20%	200	1.03
JCD32-5R6	5R6	5.6 \pm 20%	230	0.91
JCD32-100	100	10 \pm 20%	350	0.74
JCD32-220	220	22 \pm 20%	670	0.50
JCD32-330	330	33 \pm 20%	1220	0.37
JCD32-470	470	47 \pm 20%	1700	0.31
JCD32-560	560	56 \pm 20%	1850	0.30
JCD32-121	121	120 \pm 15%	3500	0.19
JCD32-151	151	150 \pm 15%	3600	0.17
JCD32-221	221	220 \pm 15%	5600	0.14

JCD43



Features/特點

*Excellent solderability and high heat resistance.

良好的可焊性和高耐熱性

*Suitable for a variety of DC/DC converters inductance.

Measuring frequency/測試頻率

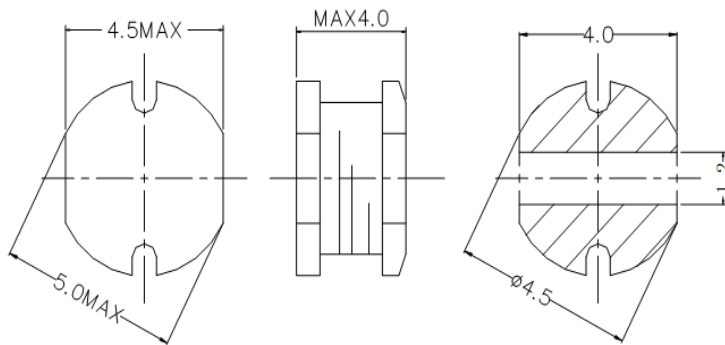
*100KHz1V

Description/說明

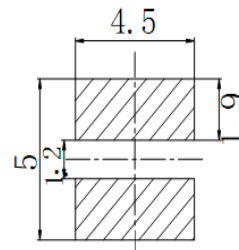
*Current Rating:Based on the largest decline in ICP to 35 percent and the temperature does not exceed 40 degrees.

額定電流:基於電感量最大下降幅度為35%,以及溫度上升不超過40℃.

DIMENSIONS(mm) 外形尺寸



LAND PATTERNS(mm) 端子安裝尺寸



Type 型號	Indicate 表示	Inductance 電感值(μ H)	D.C.R(Max) 直流電阻 (m Ω)	Rated current(Max) 額定電流 (A)
JCD43-1R0	1R0	1.0 \pm 20%	48	2.56
JCD43-1R4	1R4	1.4 \pm 20%	56	2.52
JCD43-1R8	1R8	1.8 \pm 20%	64	1.95
JCD43-2R2	2R2	2.2 \pm 20%	71	1.75
JCD43-2R7	2R7	2.7 \pm 20%	78	1.58
JCD43-3R3	3R3	3.3 \pm 20%	86	1.44
JCD43-3R9	3R9	3.9 \pm 20%	93	1.33
JCD43-4R7	4R7	4.7 \pm 20%	108	1.15
JCD43-5R6	5R6	5.6 \pm 20%	126	0.99
JCD43-6R8	6R8	6.8 \pm 20%	131	0.95
JCD43-8R2	8R2	8.2 \pm 20%	146	0.84
JCD43-100	100	10 \pm 20%	172	0.82
JCD43-120	120	12 \pm 20%	198	0.80
JCD43-150	150	15 \pm 20%	222	0.78
JCD43-180	180	18 \pm 20%	320	0.74
JCD43-220	220	22 \pm 20%	357	0.68
JCD43-101	101	100 \pm 15%	1140	0.35
JCD43-152	152	1500 \pm 15%	18000	0.10

JCD53



Features/特點

*Excellent solderability and high heat resistance.

良好的可焊性和高耐熱性

*Suitable for a variety of DC/DC converters inductance.

Measuring frequency/測試頻率

*100KHz1V

Description/說明

*Current Rating:Based on the largest decline in ICP to 35 percent and the temperature does not exceed 40 degrees.

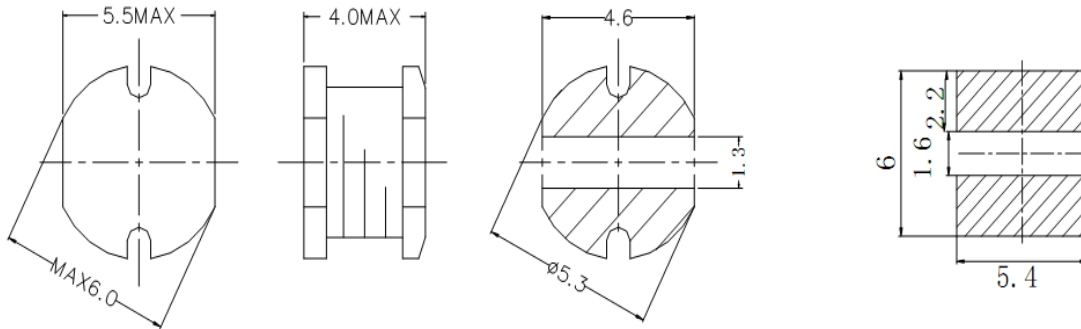
額定電流:基於電感量最大下降幅度為35%,以及溫度上升不超過40℃.

DIMENSIONS(mm)

外形尺寸

LAND PATTERNS(mm)

端子安裝尺寸



Type 型號	Indicate 表示	Inductance 電感值(μ H)	D.C.R(Max) 直流電阻 (m Ω)	Rated current(Max) 額定電流 (A)
JCD53-2R2	2R2	2.2 \pm 20%	60	2.03
JCD53-3R3	3R3	3.3 \pm 20%	70	1.83
JCD53-4R7	4R7	4.7 \pm 20%	80	1.68
JCD53-100	100	10 \pm 20%	90	1.23
JCD53-120	120	12 \pm 20%	100	1.12
JCD53-150	150	15 \pm 20%	110	1.00
JCD53-180	180	18 \pm 20%	120	0.88
JCD53-220	220	22 \pm 20%	140	0.80
JCD53-270	270	27 \pm 20%	170	0.72
JCD53-330	330	33 \pm 20%	190	0.67
JCD53-390	390	39 \pm 20%	220	0.64
JCD53-470	470	47 \pm 20%	250	0.53
JCD53-560	560	56 \pm 20%	350	0.50
JCD53-680	680	68 \pm 20%	400	0.45
JCD53-820	820	82 \pm 20%	470	0.39
JCD53-101	101	100 \pm 15%	630	0.37
JCD53-121	121	120 \pm 15%	730	0.34
JCD53-221	221	220 \pm 15%	1300	0.26

JCD54



Features/特點

*Excellent solderability and high heat resistance.

良好的可焊性和高耐熱性

*Suitable for a variety of DC/DC converters inductance.

Measuring frequency/測試頻率

*100KHz1V

Description/說明

*Current Rating: Based on the largest decline in ICP to 35 percent and the temperature does not exceed 40 degrees.

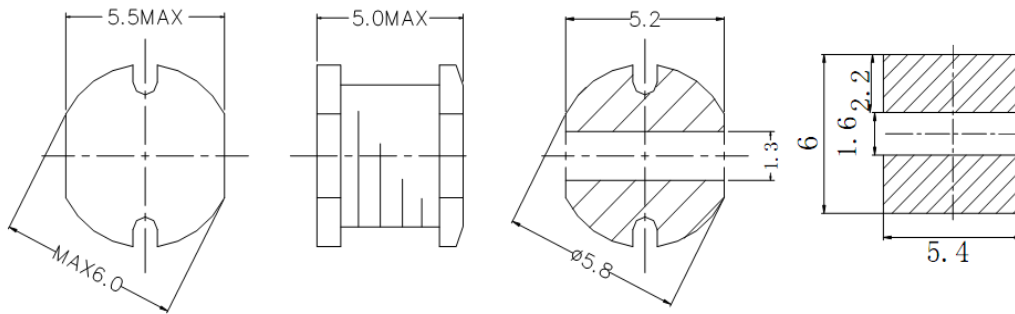
額定電流: 基於電感量最大下降幅度為35%, 以及溫度上升不超過40°C.

DIMENSIONS(mm)

外形尺寸

LAND PATTERNS(mm)

端子安裝尺寸



Type 型號	Indicate 表示	Inductance 電感值(μ H)	D.C.R(Max) 直流電阻 (m Ω)	Rated current(Max) 額定電流 (A)
JCD54-4R7	4R7	4.7 \pm 20%	52	4.00
JCD54-6R8	6R8	6.8 \pm 20%	58	3.00
JCD54-100	100	10 \pm 20%	68	2.10
JCD54-120	120	12 \pm 20%	85	2.00
JCD54-150	150	15 \pm 20%	111	1.90
JCD54-180	180	18 \pm 20%	150	1.80
JCD54-220	220	22 \pm 20%	160	1.60
JCD54-270	270	27 \pm 20%	186	1.40
JCD54-330	330	33 \pm 20%	230	1.30
JCD54-390	390	39 \pm 20%	290	1.20
JCD54-470	470	47 \pm 20%	370	0.72
JCD54-560	560	56 \pm 20%	420	0.68
JCD54-680	680	68 \pm 20%	460	0.61
JCD54-820	820	82 \pm 20%	600	0.58
JCD54-101	101	100 \pm 15%	627	0.52
JCD54-121	121	120 \pm 15%	930	0.48
JCD54-221	221	220 \pm 15%	1570	0.35

JCD73**Features/特點**

*Excellent solderability and high heat resistance.

良好的可焊性和高耐熱性

*Suitable for a variety of DC/DC converters inductance.

Measuring frequency/測試頻率

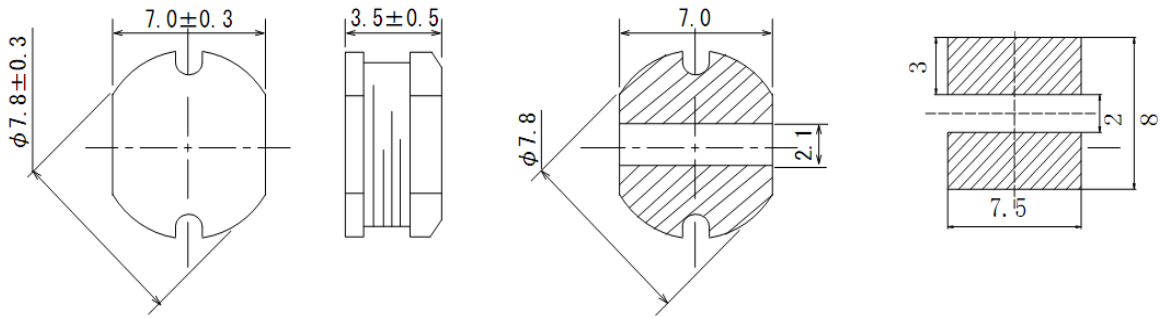
*100KHz1V

Description/說明

*Current Rating: Based on the largest decline in ICP to 35 percent and the temperature does not exceed 40 degrees.

額定電流: 基於電感量最大下降幅度為35%, 以及溫度上升不超過40°C.

DIMENSIONS(mm)
 外形尺寸

LAND PATTERNS(mm)
 端子安裝尺寸


Type 型號	Indicate 表示	Inductance 電感值(μH)	D.C.R(Max) 直流電阻 (mΩ)	Rated current(Max) 額定電流 (A)
JCD73-100	100	10±20%	83	1.44
JCD73-120	120	12±20%	93	1.39
JCD73-150	150	15±20%	106	1.24
JCD73-180	180	18±20%	115	1.12
JCD73-220	220	22±20%	134	1.07
JCD73-270	270	27±20%	160	0.94
JCD73-330	330	33±20%	177	0.85
JCD73-390	390	39±20%	226	0.74
JCD73-470	470	47±20%	253	0.68
JCD73-560	560	56±20%	293	0.64
JCD73-680	680	68±20%	345	0.59
JCD73-820	820	82±20%	422	0.54
JCD73-101	101	100±15%	501	0.51
JCD73-121	121	120±15%	557	0.49
JCD73-151	151	150±15%	785	0.40
JCD73-221	221	220±15%	1248	0.31
JCD73-331	331	330±15%	1552	0.28

JCD75**Features/特點**

*Excellent solderability and high heat resistance.

良好的可焊性和高耐熱性

*Suitable for a variety of DC/DC converters inductance.

Measuring frequency/測試頻率

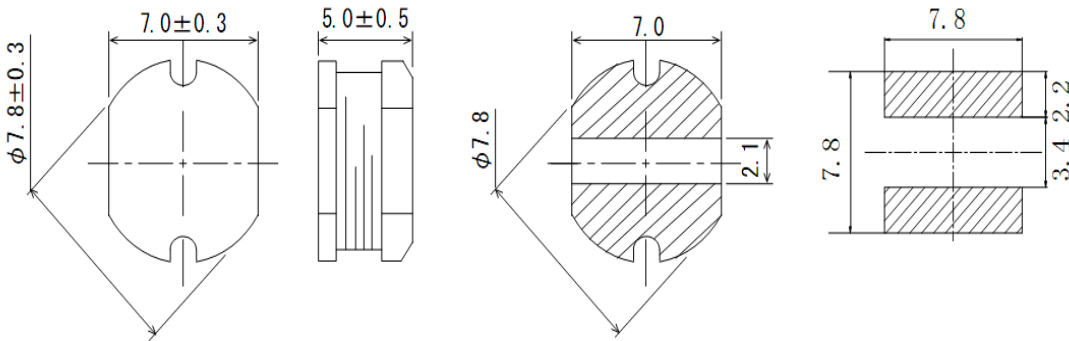
*100KHz1V

Description/說明

*Current Rating: Based on the largest decline in ICP to 35 percent and the temperature does not exceed 40 degrees.

額定電流: 基於電感量最大下降幅度為35%, 以及溫度上升不超過40°C.

DIMENSIONS(mm)
 外形尺寸

LAND PATTERNS(mm)
 端子安裝尺寸


Type 型號	Indicate 表示	Inductance 電感值(μH)	D.C.R(Max) 直流電阻 (mΩ)	Rated current(Max) 額定電流 (A)
JCD75-4R7	4R7	4.7±20%	36	5.00
JCD75-100	100	10±20%	70	2.30
JCD75-120	120	12±20%	80	2.00
JCD75-150	150	15±20%	90	1.80
JCD75-180	180	18±20%	100	1.60
JCD75-220	220	22±20%	110	1.50
JCD75-270	270	27±20%	120	1.30
JCD75-330	330	33±20%	130	1.20
JCD75-390	390	39±20%	160	1.10
JCD75-470	470	47±20%	180	1.00
JCD75-560	560	56±20%	240	0.94
JCD75-680	680	68±20%	280	0.85
JCD75-820	820	82±20%	370	0.78
JCD75-101	101	100±15%	430	0.72
JCD75-121	121	120±15%	470	0.66
JCD75-151	151	150±15%	640	0.58
JCD75-502	502	5000±15%	18889	0.14

JCD104



Features/特點

*Excellent solderability and high heat resistance.

良好的可焊性和高耐熱性

*Suitable for a variety of DC/DC converters inductance.

Measuring frequency/測試頻率

*100KHz1V

Description/說明

*Current Rating: Based on the largest decline in ICP to 35 percent and the temperature does not exceed 40 degrees.

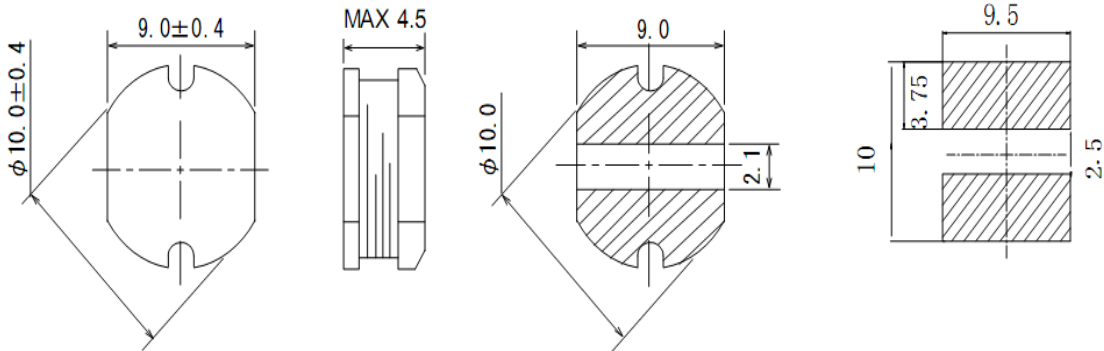
額定電流: 基於電感量最大下降幅度為35%, 以及溫度上升不超過40°C.

DIMENSIONS(mm)

外形尺寸

LAND PATTERNS(mm)

端子安裝尺寸



Type 型號	Indicate 表示	Inductance 電感值(μ H)	D.C.R(Max) 直流電阻 (m Ω)	Rated current(Max) 額定電流 (A)
JCD104-100	100	10 \pm 20%	53	2.38
JCD104-120	120	12 \pm 20%	60	2.13
JCD104-150	150	15 \pm 20%	70	1.87
JCD104-180	180	18 \pm 20%	81	1.73
JCD104-220	220	22 \pm 20%	87	1.60
JCD104-270	270	27 \pm 20%	100	1.44
JCD104-330	330	33 \pm 20%	120	1.26
JCD104-390	390	39 \pm 20%	151	1.20
JCD104-470	470	47 \pm 20%	170	1.10
JCD104-560	560	56 \pm 20%	198	1.01
JCD104-680	680	68 \pm 20%	223	0.91
JCD104-820	820	82 \pm 20%	252	0.85
JCD104-101	101	100 \pm 15%	344	0.74
JCD104-121	121	120 \pm 15%	395	0.69
JCD104-151	151	150 \pm 15%	543	0.61
JCD104-221	221	220 \pm 15%	721	0.53
JCD104-561	561	560 \pm 15%	1979	0.32

JCD105



Features/特點

*Excellent solderability and high heat resistance.

良好的可焊性和高耐熱性

*Suitable for a variety of DC/DC converters inductance.

Measuring frequency/測試頻率

*100KHz1V

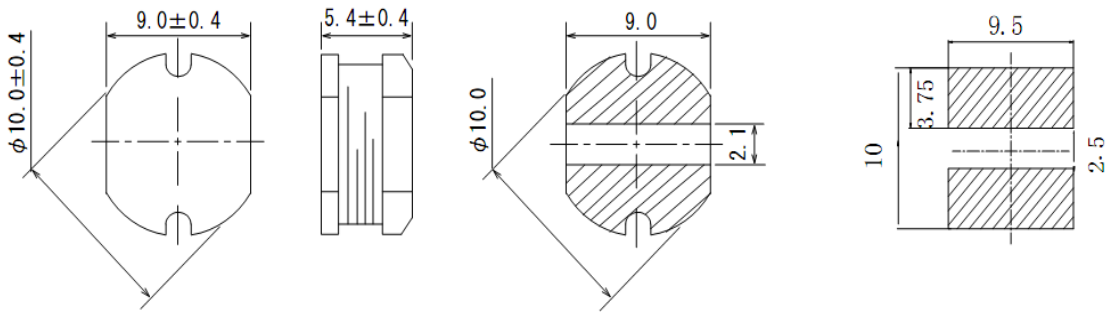
Description/說明

*Current Rating: Based on the largest decline in ICP to 35 percent and the temperature does not exceed 40 degrees.

額定電流: 基於電感量最大下降幅度為35%, 以及溫度上升不超過40°C.

DIMENSIONS(mm) 外形尺寸

LAND PATTERNS(mm) 端子安裝尺寸



Type 型號	Indicate 表示	Inductance 電感值(μH)	D.C.R(Max) 直流電阻 (mΩ)	Rated current(Max) 額定電流 (A)
JCD105-6R8	6R8	6.8±20%	45	5.00
JCD105-100	100	10±20%	60	2.60
JCD105-120	120	12±20%	70	2.45
JCD105-150	150	15±20%	80	2.27
JCD105-180	180	18±20%	90	2.15
JCD105-220	220	22±20%	100	1.95
JCD105-270	270	27±20%	110	1.76
JCD105-330	330	33±20%	120	1.50
JCD105-390	390	39±20%	140	1.37
JCD105-470	470	47±20%	170	1.28
JCD105-560	560	56±20%	190	1.17
JCD105-680	680	68±20%	220	1.11
JCD105-820	820	82±20%	250	1.00
JCD105-101	101	100±15%	350	0.97
JCD105-151	151	150±15%	470	0.78
JCD105-471	471	470±15%	1480	0.48
JCD105-821	821	820±15%	2550	0.24

JCD3225



Features/特點

*Excellent solderability and high heat resistance.

良好的可焊性和高耐熱性

*Suitable for a variety of DC/DC converters inductance.

Measuring frequency/測試頻率

*100KHz1V

Description/說明

*Current Rating: Based on the largest decline in ICP to 35 percent and the temperature does not exceed 40 degrees.

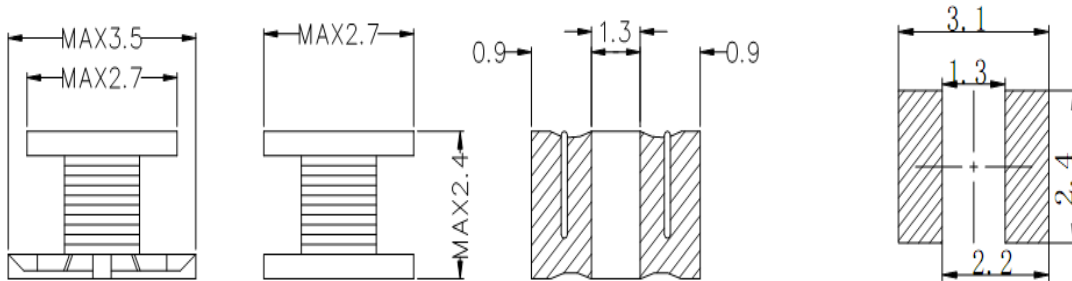
額定電流: 基於電感量最大下降幅度為35%, 以及溫度上升不超過40°C.

DIMENSIONS(mm)

外形尺寸

LAND PATTERNS(mm)

端子安裝尺寸



Type 型號	Indicate 表示	Inductance 電感值(μ H)	D.C.R(Max) 直流電阻 ($m\Omega$)	Rated current(Max) 額定電流 (A)
JCD3225-3R3	3R3	3.3 \pm 20%	1000	0.300
JCD3225-3R9	3R9	3.9 \pm 20%	1100	0.290
JCD3225-4R7	4R7	4.7 \pm 20%	1200	0.270
JCD3225-5R6	5R6	5.6 \pm 20%	1300	0.250
JCD3225-6R8	6R8	6.8 \pm 20%	1500	0.240
JCD3225-8R2	8R2	8.2 \pm 20%	1600	0.225
JCD3225-100	100	10 \pm 20%	1800	0.190
JCD3225-120	120	12 \pm 20%	2000	0.180
JCD3225-150	150	15 \pm 20%	2200	0.170
JCD3225-180	180	18 \pm 20%	2500	0.160
JCD3225-220	220	22 \pm 20%	2800	0.150
JCD3225-270	270	27 \pm 20%	3100	0.120
JCD3225-330	330	33 \pm 20%	3500	0.115
JCD3225-101	101	100 \pm 15%	7000	0.080
JCD3225-151	151	150 \pm 15%	9300	0.070
JCD3225-471	471	470 \pm 15%	25000	0.045
JCD3225-561	561	560 \pm 15%	28000	0.040

JCD4532

**Features/特點**

*Excellent solderability and high heat resistance.

良好的可焊性和高耐熱性

*Suitable for a variety of DC/DC converters inductance.

Measuring frequency/測試頻率

*100KHz1V

Description/說明

*Current Rating: Based on the largest decline in ICP to 35 percent and the temperature does not exceed 40 degrees.

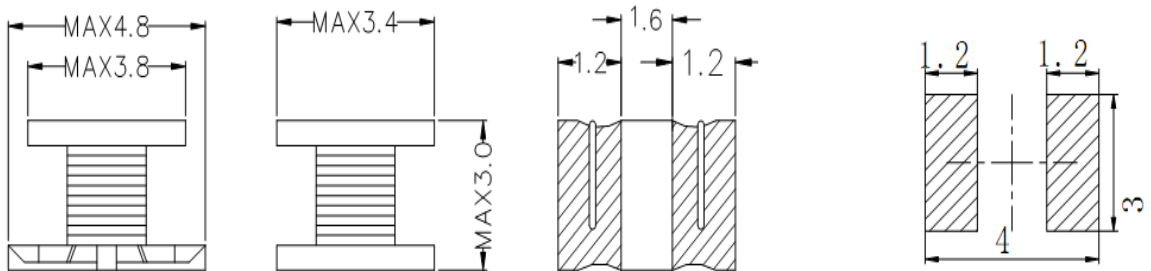
額定電流: 基於電感量最大下降幅度為35%, 以及溫度上升不超過40°C.

DIMENSIONS(mm)

外形尺寸

LAND PATTERNS(mm)

端子安裝尺寸



Type 型號	Indicate 表示	Inductance 電感值(μ H)	D.C.R(Max) 直流電阻 (m Ω)	Rated current(Max) 額定電流 (A)
JCD4532-3R3	3R3	3.3 \pm 20%	350	0.440
JCD4532-3R9	3R9	3.9 \pm 20%	380	0.430
JCD4532-4R7	4R7	4.7 \pm 20%	400	0.420
JCD4532-5R6	5R6	5.6 \pm 20%	470	0.410
JCD4532-6R8	6R8	6.8 \pm 20%	500	0.400
JCD4532-8R2	8R2	8.2 \pm 20%	550	0.390
JCD4532-100	100	10 \pm 20%	560	0.380
JCD4532-120	120	12 \pm 20%	620	0.370
JCD4532-150	150	15 \pm 20%	730	0.360
JCD4532-180	180	18 \pm 20%	820	0.340
JCD4532-220	220	22 \pm 20%	940	0.320
JCD4532-270	270	27 \pm 20%	1100	0.300
JCD4532-330	330	33 \pm 20%	1200	0.240
JCD4532-101	101	100 \pm 15%	2500	0.160
JCD4532-151	151	150 \pm 15%	3700	0.130
JCD4532-471	471	470 \pm 15%	11800	0.080

JCNR3010



Features/特點

- *Excellent solderability and high heat resistance.
良好的可焊性和高耐熱性
- *Suitable for a variety of DC/DC converters inductance.

Measuring frequency/測試頻率

*100KHz1V

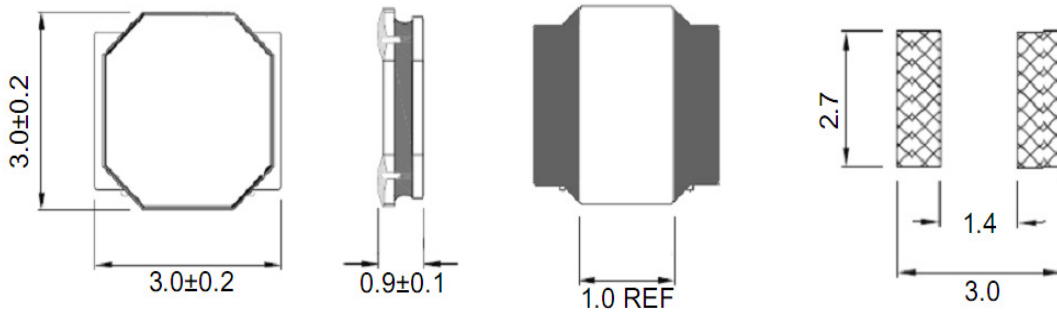
Description/說明

*Current Rating: Based on the largest decline in ICP to 35 percent and the temperature does not exceed 40 degrees.

額定電流: 基於電感量最大下降幅度為35%, 以及溫度上升不超過40°C.

DIMENSIONS(mm) 外形尺寸

LAND PATTERNS(mm) 端子安裝尺寸



Type 型號	Indicate 表示	Inductance 電感值(μH)	D.C.R(Max) 直流電阻 (mΩ)	Rated current(Max) 額定電流 (A)
JCNR3010-1R5	1R5	1.5±20%	156(120)	1.50
JCNR3010-2R2	2R2	2.2±20%	168(129)	1.30
JCNR3010-3R3	3R3	3.3±20%	244(188)	1.20
JCNR3010-4R7	4R7	4.7±20%	310(290)	1.10
JCNR3010-6R8	6R8	6.8±20%	450(376)	0.90
JCNR3010-8R2	8R2	8.2±20%	533(410)	0.85
JCNR3010-100	100	10±20%	650(561)	0.80

JCNR3015



Features/特點

- *Excellent solderability and high heat resistance.
良好的可焊性和高耐熱性
- *Suitable for a variety of DC/DC converters inductance.

Measuring frequency/測試頻率

- *100KHz1V

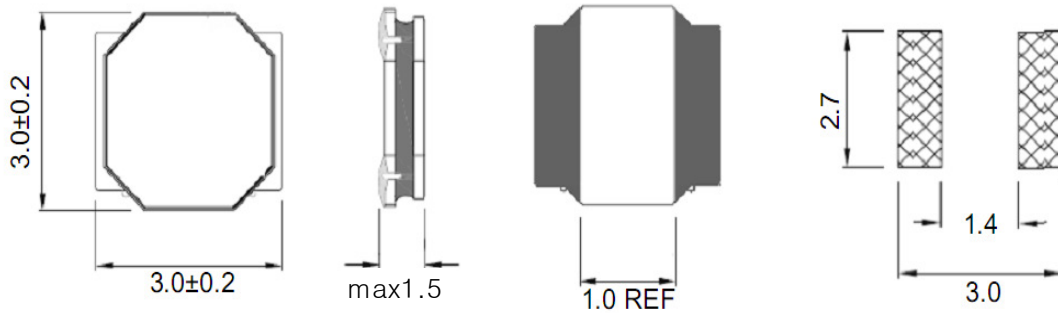
Description/說明

- *Current Rating: Based on the largest decline in ICP to 35 percent and the temperature does not exceed 40 degrees.

額定電流: 基於電感量最大下降幅度為35%, 以及溫度上升不超過40°C.

DIMENSIONS(mm) 外形尺寸

LAND PATTERNS(mm) 端子安裝尺寸



Type 型號	Indicate 表示	Inductance 電感值(μ H)	D.C.R(Max) 直流電阻 (m Ω)	Rated current(Max) 額定電流 (A)
JCNR3015-150	150	15 \pm 20%	420	0.58

JCNR4010



Features/特點

- *Excellent solderability and high heat resistance.
良好的可焊性和高耐熱性
- *Suitable for a variety of DC/DC converters inductance.

Measuring frequency/測試頻率

*100KHz1V

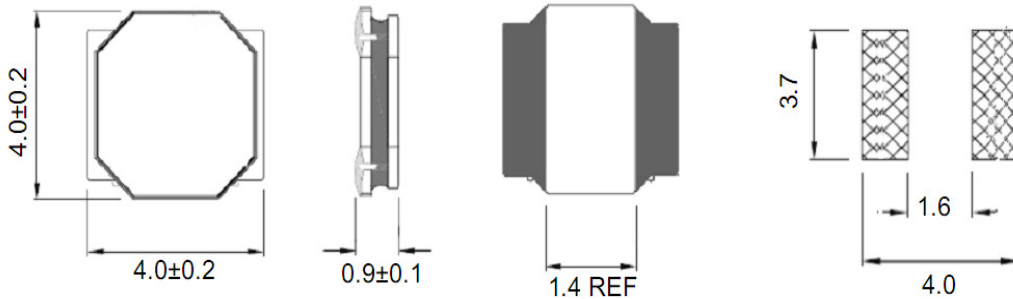
Description/說明

*Current Rating: Based on the largest decline in ICP to 35 percent and the temperature does not exceed 40 degrees.

額定電流: 基於電感量最大下降幅度為35%, 以及溫度上升不超過40°C.

DIMENSIONS(mm) 外形尺寸

LAND PATTERNS(mm) 端子安裝尺寸



Type 型號	Indicate 表示	Inductance 電感值(μH)	D.C.R(Max) 直流電阻 (mΩ)	Rated current(Max) 額定電流 (A)
JCNR4010-3R3	3R3	3.3±20%	215(165)	1.40
JCNR4010-4R7	4R7	4.7±20%	265(204)	1.30
JCNR4010-6R8	6R8	6.8±20%	388(299)	1.00
JCNR4010-8R2	8R2	8.2±20%	423(325)	0.95
JCNR4010-100	100	10±20%	556(428)	0.85

JCNR4010HP



Features/特點

- *Excellent solderability and high heat resistance.
良好的可焊性和高耐熱性
- *Suitable for a variety of DC/DC converters inductance.

Measuring frequency/測試頻率

- *100KHz1V

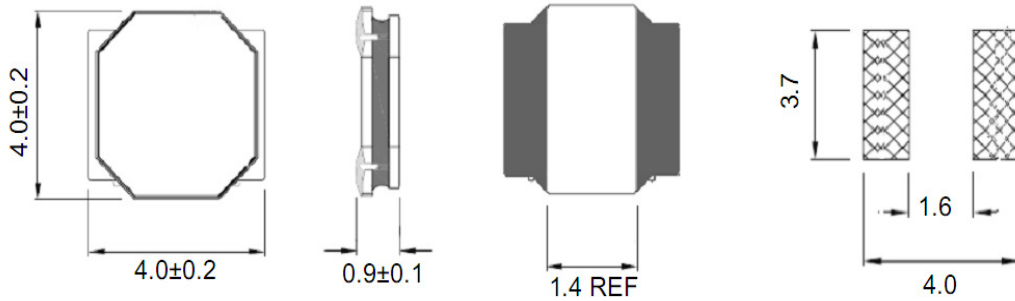
Description/說明

*Current Rating: Based on the largest decline in ICP to 35 percent and the temperature does not exceed 40 degrees.

額定電流: 基於電感量最大下降幅度為35%, 以及溫度上升不超過40°C.

DIMENSIONS(mm) 外形尺寸

LAND PATTERNS(mm) 端子安裝尺寸



Type 型號	Indicate 表示	Inductance 電感值(μ H)	D.C.R(Max) 直流電阻 (m Ω)	Rated current(Max) 額定電流 (A)
JCNR4010HP-6R8	6R8	6.8 \pm 20%	370(308)	1.20
JCNR4010HP-100	100	10 \pm 20%	550(493)	0.90

JCNR4018



Features/特點

*Excellent solderability and high heat resistance.

良好的可焊性和高耐熱性

*Suitable for a variety of DC/DC converters inductance.

Measuring frequency/測試頻率

*100KHz1V

Description/說明

*Current Rating: Based on the largest decline in ICP to 35 percent and the temperature does not exceed 40 degrees.

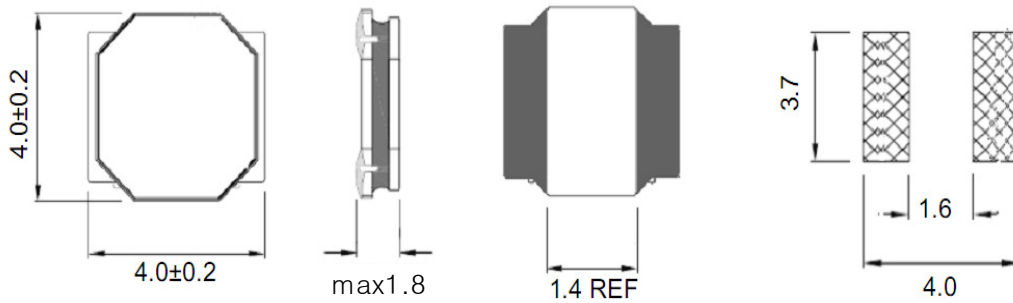
額定電流: 基於電感量最大下降幅度為35%, 以及溫度上升不超過40°C.

DIMENSIONS(mm)

外形尺寸

LAND PATTERNS(mm)

端子安裝尺寸



Type 型號	Indicate 表示	Inductance 電感值(μH)	D.C.R(Max) 直流電阻 (mΩ)	Rated current(Max) 額定電流 (A)
JCNR4018-2R2	2R2	2.2±20%	90	3.50
JCNR4018-3R3	3R3	3.3±20%	110	2.60
JCNR4018-4R7	4R7	4.7±20%	150	2.20
JCNR4018-100	100	10±20%	280	1.10
JCNR4018-220	220	22±20%	375	1.00

JCNR6010



Features/特點

*Excellent solderability and high heat resistance.

良好的可焊性和高耐熱性

*Suitable for a variety of DC/DC converters inductance.

Measuring frequency/測試頻率

*100KHz1V

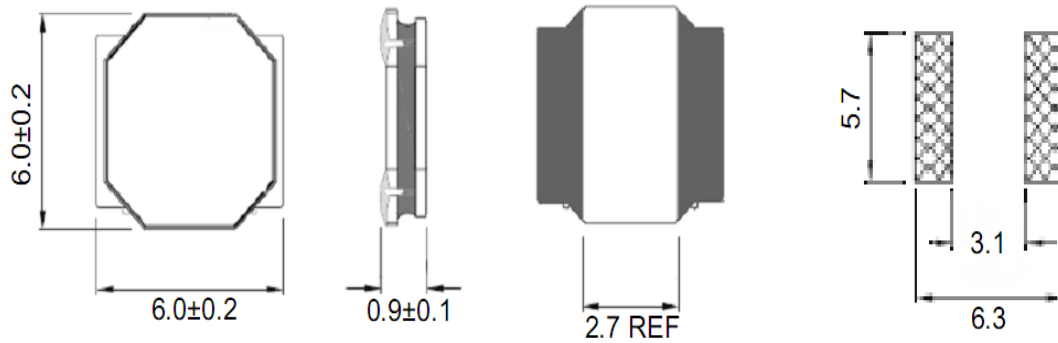
Description/說明

*Current Rating: Based on the largest decline in ICP to 35 percent and the temperature does not exceed 40 degrees.

額定電流: 基於電感量最大下降幅度為35%, 以及溫度上升不超過40°C.

DIMENSIONS(mm) 外形尺寸

LAND PATTERNS(mm) 端子安裝尺寸



Type 型號	Indicate 表示	Inductance 電感值(μH)	D.C.R(Max) 直流電阻 (mΩ)	Rated current(Max) 額定電流 (A)
JCNR6010-2R2	2R2	2.2±20%	157(121)	2.60
JCNR6010-3R3	3R3	3.3±20%	217(167)	2.00
JCNR6010-4R7	4R7	4.7±20%	257(198)	1.80
JCNR6010-6R8	6R8	6.8±20%	342(263)	1.60
JCNR6010-8R2	8R2	8.2±20%	425(327)	1.50
JCNR6010-100	100	10±20%	481(370)	1.40

JCNR6012



Features/特點

*Excellent solderability and high heat resistance.

良好的可焊性和高耐熱性

*Suitable for a variety of DC/DC converters inductance.

Measuring frequency/測試頻率

*100KHz1V

Description/說明

*Current Rating: Based on the largest decline in ICP to 35 percent and the temperature does not exceed 40 degrees.

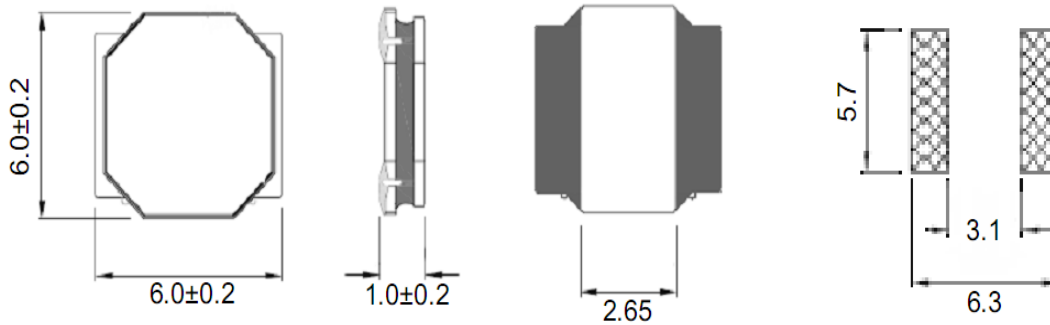
額定電流: 基於電感量最大下降幅度為35%, 以及溫度上升不超過40°C.

DIMENSIONS(mm)

外形尺寸

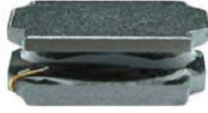
LAND PATTERNS(mm)

端子安裝尺寸



Type 型號	Indicate 表示	Inductance 電感值(μH)	D.C.R(Max) 直流電阻 (mΩ)	Rated current(Max) 額定電流 (A)
JCNR6012-2R2	2R2	2.2±20%	124(95)	2.50
JCNR6012-3R3	3R3	3.3±20%	191(147)	2.10
JCNR6012-4R7	4R7	4.7±20%	231(178)	1.70
JCNR6012-6R8	6R8	6.8±20%	287(220)	1.60
JCNR6012-8R2	8R2	8.2±20%	347(267)	1.50
JCNR6012-100	100	10±20%	430(306)	1.40
JCNR6012-220	220	22±20%	967(744)	0.80

JCNR6020



Features/特點

- *Excellent solderability and high heat resistance.
良好的可焊性和高耐熱性
- *Suitable for a variety of DC/DC converters inductance.

Measuring frequency/測試頻率

*100KHz1V

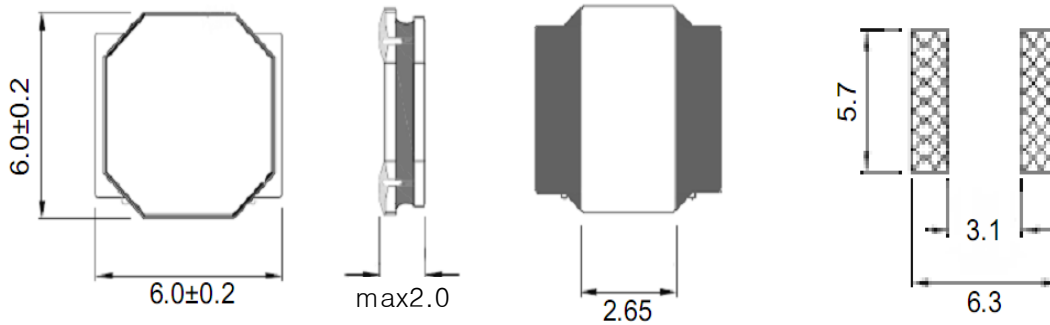
Description/說明

*Current Rating: Based on the largest decline in ICP to 35 percent and the temperature does not exceed 40 degrees.

額定電流: 基於電感量最大下降幅度為35%, 以及溫度上升不超過40°C.

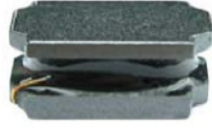
DIMENSIONS(mm) 外形尺寸

LAND PATTERNS(mm) 端子安裝尺寸



Type 型號	Indicate 表示	Inductance 電感值(μH)	D.C.R(Max) 直流電阻 (mΩ)	Rated current(Max) 額定電流 (A)
JCNR6020-1R5	1R5	1.5±20%	48	4.50
JCNR6020-2R2	2R2	2.2±20%	61	4.20
JCNR6020-4R7	4R7	4.7±20%	86	2.80
JCNR6020-6R8	6R8	6.8±20%	120	2.60
JCNR6020-100	100	10±20%	178	1.90

JCNR6028



Features/特點

*Excellent solderability and high heat resistance.

良好的可焊性和高耐熱性

*Suitable for a variety of DC/DC converters inductance.

Measuring frequency/測試頻率

*100KHz1V

Description/說明

*Current Rating: Based on the largest decline in ICP to 35 percent and the temperature does not exceed 40 degrees.

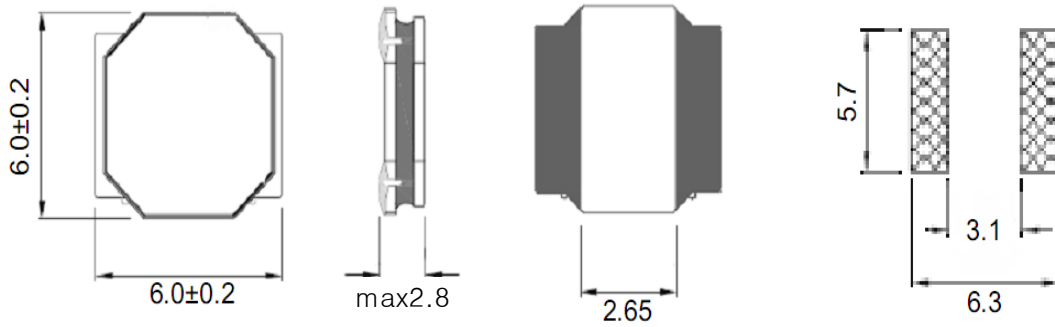
額定電流: 基於電感量最大下降幅度為35%, 以及溫度上升不超過40°C.

DIMENSIONS(mm)

外形尺寸

LAND PATTERNS(mm)

端子安裝尺寸



Type 型號	Indicate 表示	Inductance 電感值(μH)	D.C.R(Max) 直流電阻 (mΩ)	Rated current(Max) 額定電流 (A)
JCNR6028-4R7	4R7	4.7±20%	82	3.00
JCNR6028-100	100	10±20%	110	2.45
JCNR6028-220	220	22±20%	213	1.70
JCNR6028-330	330	33±20%	354	1.20

JCNR6045



Features/特點

*Excellent solderability and high heat resistance.

良好的可焊性和高耐熱性

*Suitable for a variety of DC/DC converters inductance.

Measuring frequency/測試頻率

*100KHz1V

Description/說明

*Current Rating: Based on the largest decline in ICP to 35 percent and the temperature does not exceed 40 degrees.

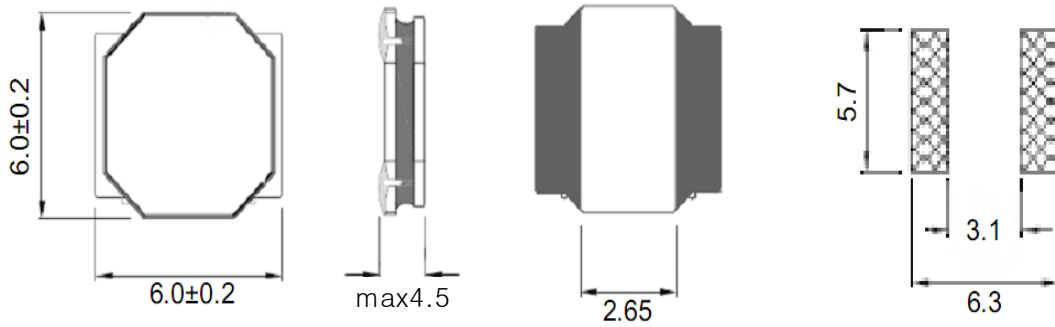
額定電流: 基於電感量最大下降幅度為35%, 以及溫度上升不超過40°C.

DIMENSIONS(mm)

外形尺寸

LAND PATTERNS(mm)

端子安裝尺寸



Type 型號	Indicate 表示	Inductance 電感值(μ H)	D.C.R(Max) 直流電阻 ($m\Omega$)	Rated current(Max) 額定電流 (A)
JCNR6045-4R7	4R7	4.7±20%	54	3.00
JCNR6045-100	100	10±20%	105	2.80
JCNR6045-150	150	15±20%	164	2.20
JCNR6045-220	220	22±20%	200	2.00
JCNR6045-330	330	33±20%	263	1.70

JCRR6028



Features/特點

- *Excellent solderability and high heat resistance.
良好的可焊性和高耐熱性
- *Suitable for a variety of DC/DC converters inductance.

Measuring frequency/測試頻率

- *100KHz1V

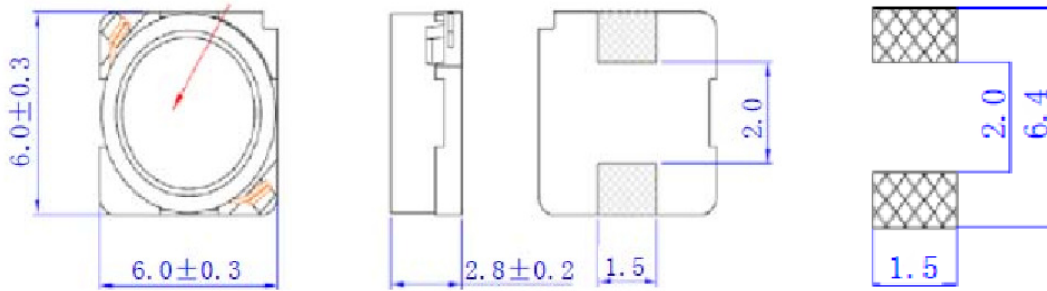
Description/說明

*Current Rating: Based on the largest decline in ICP to 35 percent and the temperature does not exceed 40 degrees.

額定電流: 基於電感量最大下降幅度為35%, 以及溫度上升不超過40°C.

DIMENSIONS(mm) 外形尺寸

LAND PATTERNS(mm) 端子安裝尺寸



Type 型號	Indicate 表示	Inductance 電感值(μ H)	D.C.R(Max) 直流電阻 (m Ω)	Rated current(Max) 額定電流 (A)
JCRR6028-4R7	4R7	4.7 \pm 20%	36	1.60
JCRR6028-6R8	6R8	6.8 \pm 20%	54	1.50
JCRR6028-100	100	10 \pm 20%	76	1.30
JCRR6028-150	150	15 \pm 20%	104	1.00
JCRR6028-220	220	22 \pm 20%	126	0.75
JCRR6028-330	330	33 \pm 20%	148	0.65
JCRR6028-470	470	47 \pm 20%	252	0.55
JCRR6028-680	680	68 \pm 20%	348	0.50

JCRR7032



Features/特點

- *Excellent solderability and high heat resistance.
良好的可焊性和高耐熱性
- *Suitable for a variety of DC/DC converters inductance.

Measuring frequency/測試頻率

- *100KHz1V

Description/說明

- *Current Rating: Based on the largest decline in ICP to 35 percent and the temperature does not exceed 40 degrees.

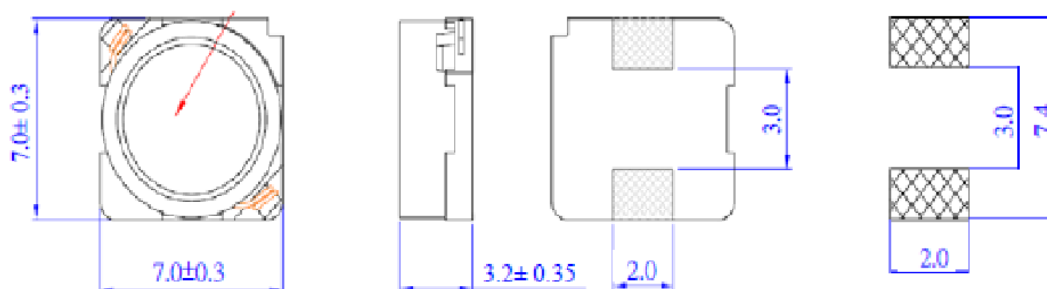
額定電流: 基於電感量最大下降幅度為35%, 以及溫度上升不超過40°C.

DIMENSIONS(mm)

外形尺寸

LAND PATTERNS(mm)

端子安裝尺寸



Type 型號	Indicate 表示	Inductance 電感值(μH)	D.C.R(Max) 直流電阻 (mΩ)	Rated current(Max) 額定電流 (A)
JCRR7032-3R3	3R3	3.3±20%	36	2.50
JCRR7032-6R8	6R8	6.8±20%	73	2.00
JCRR7032-100	100	10±20%	129	1.70
JCRR7032-150	150	15±20%	156	1.30
JCRR7032-220	220	22±20%	240	1.15
JCRR7032-470	470	47±20%	376	0.80

JCRR7045



Features/特點

- *Excellent solderability and high heat resistance.
良好的可焊性和高耐熱性
- *Suitable for a variety of DC/DC converters inductance.

Measuring frequency/測試頻率

- *100KHz1V

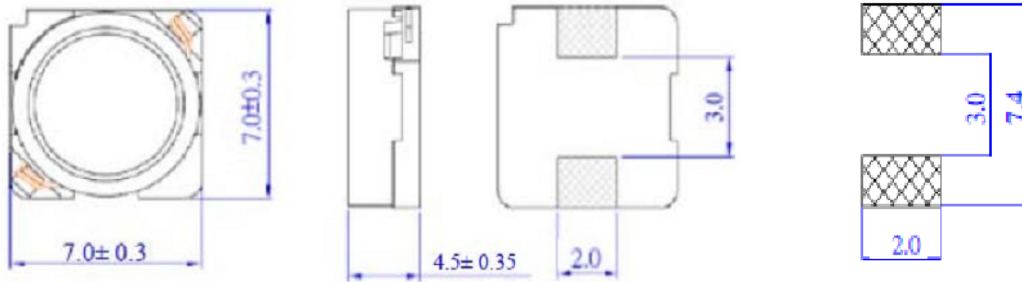
Description/說明

*Current Rating: Based on the largest decline in ICP to 35 percent and the temperature does not exceed 40 degrees.

額定電流: 基於電感量最大下降幅度為35%, 以及溫度上升不超過40°C.

DIMENSIONS(mm) 外形尺寸

LAND PATTERNS(mm) 端子安裝尺寸



Type 型號	Indicate 表示	Inductance 電感值(μH)	D.C.R(Max) 直流電阻 (mΩ)	Rated current(Max) 額定電流 (A)
JCRR7045-3R3	3R3	3.3±20%	24	2.50
JCRR7045-4R7	4R7	4.7±20%	38	2.00
JCRR7045-6R8	6R8	6.8±20%	48	1.70
JCRR7045-100	100	10±20%	58	1.30
JCRR7045-150	150	15±20%	66	1.10
JCRR7045-220	220	22±20%	103	0.90
JCRR7045-330	330	33±20%	151	0.80

JCRR10145



Features/特點

*Excellent solderability and high heat resistance.

良好的可焊性和高耐熱性

*Suitable for a variety of DC/DC converters inductance.

Measuring frequency/測試頻率

*100KHz1V

Description/說明

*Current Rating: Based on the largest decline in ICP to 35 percent and the temperature does not exceed 40 degrees.

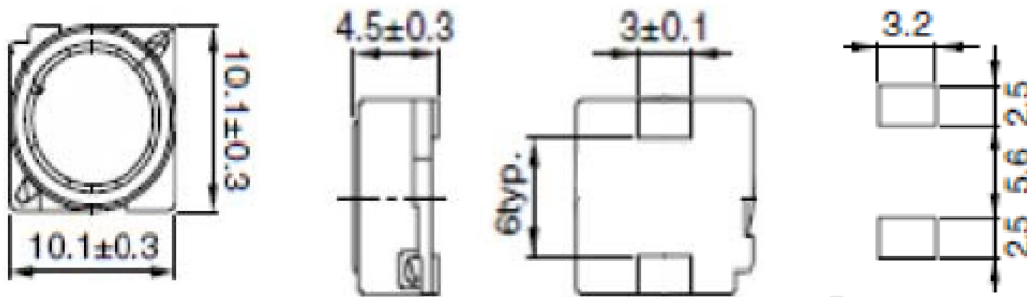
額定電流: 基於電感量最大下降幅度為35%, 以及溫度上升不超過40°C.

DIMENSIONS(mm)

外形尺寸

LAND PATTERNS(mm)

端子安裝尺寸



Type 型號	Indicate 表示	Inductance 電感值(μH)	D.C.R(Max) 直流電阻 (mΩ)	Rated current(Max) 額定電流 (A)
JCRR10145-100	100	10±20%	45	3.00
JCRR10145-150	150	15±20%	60	2.40
JCRR10145-220	220	22±20%	74	2.10
JCRR10145-330	330	33±20%	102	1.60
JCRR10145-470	470	47±20%	120	1.40
JCRR10145-680	680	68±20%	168	1.20
JCRR10145-101	101	100±20%	240	1.00

JCRR12575



Features/特點

- *Excellent solderability and high heat resistance.
良好的可焊性和高耐熱性
- *Suitable for a variety of DC/DC converters inductance.

Measuring frequency/測試頻率

- *100KHz1V

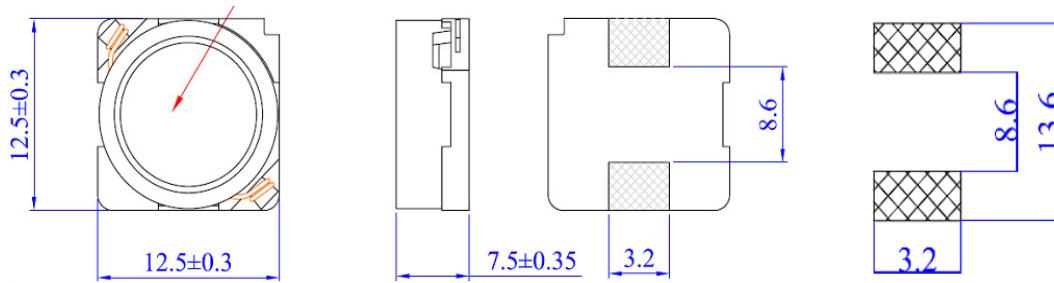
Description/說明

*Current Rating: Based on the largest decline in ICP to 35 percent and the temperature does not exceed 40 degrees.

額定電流: 基於電感量最大下降幅度為35%, 以及溫度上升不超過40°C.

DIMENSIONS(mm) 外形尺寸

LAND PATTERNS(mm) 端子安裝尺寸



Type 型號	Indicate 表示	Inductance 電感值(μ H)	D.C.R(Max) 直流電阻 (m Ω)	Rated current(Max) 額定電流 (A)
JCRR12575-6R8	6R8	6.8 \pm 20%	18	7.20
JCRR12575-100	100	10 \pm 20%	26	5.50
JCRR12575-150	150	15 \pm 20%	34	4.70
JCRR12575-220	220	22 \pm 20%	45	4.00
JCRR12575-330	330	33 \pm 20%	68	3.20

JCR63B



Features/特點

- *Excellent solderability and high heat resistance.
良好的可焊性和高耐熱性
- *Suitable for a variety of DC/DC converters inductance.

Measuring frequency/測試頻率

*100KHz1V

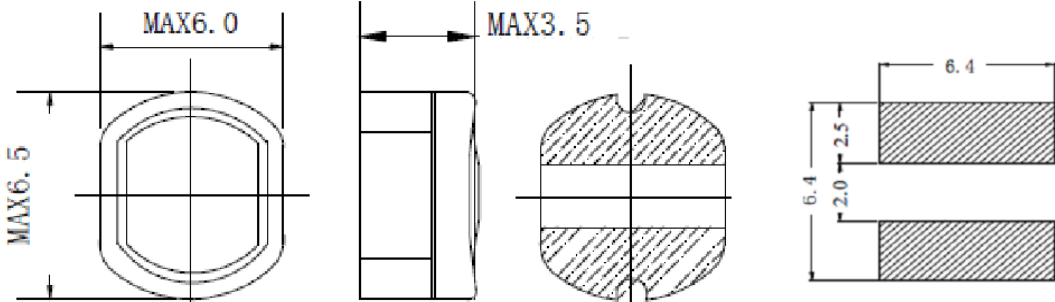
Description/說明

*Current Rating:Based on the largest decline in ICP to 35 percent and the temperature does not exceed 40 degrees.

額定電流:基於電感量最大下降幅度為35%,以及溫度上升不超過40℃.

DIMENSIONS(mm) 外形尺寸

LAND PATTERNS(mm) 端子安裝尺寸



Type 型號	Indicate 表示	Inductance 電感值(μH)	D.C.R(Max) 直流電阻 (mΩ)	Rated current(Max) 額定電流 (A)
JCR63B-101	101	100±20%	1400	0.60

JCR74B**Features/特點**

- *Excellent solderability and high heat resistance.
良好的可焊性和高耐熱性
- *Suitable for a variety of DC/DC converters inductance.

Measuring frequency/測試頻率

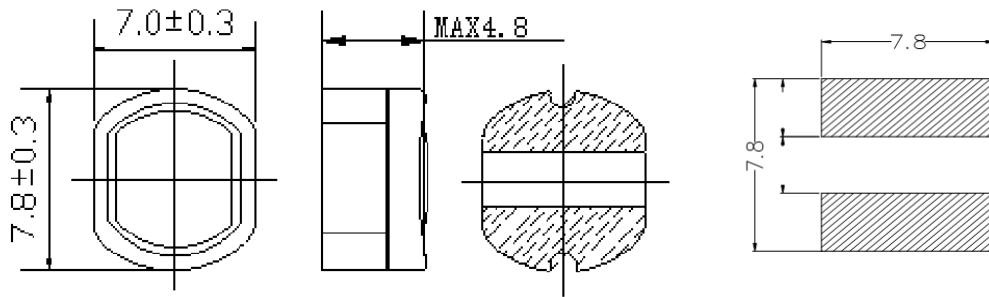
- *100KHz1V

Description/說明

- *Current Rating: Based on the largest decline in ICP to 35 percent and the temperature does not exceed 40 degrees.

額定電流: 基於電感量最大下降幅度為35%, 以及溫度上升不超過40°C.

DIMENSIONS(mm)
 外形尺寸

LAND PATTERNS(mm)
 端子安裝尺寸


Type 型號	Indicate 表示	Inductance 電感值(μH)	D.C.R(Max) 直流電阻 (mΩ)	Rated current(Max) 額定電流 (A)
JCR74B-2R7	2R7	2.7±20%	27	3.50
JCR74B-3R6	3R6	3.6±20%	30	3.00
JCR74B-220	220	22±20%	95	1.50
JCR74B-470	470	47±20%	203	0.95
JCR74B-101	101	100±20%	397	0.60
JCR74B-471	471	470±20%	1852	0.27

JCR7020



Features/特點

- *Excellent solderability and high heat resistance.
良好的可焊性和高耐熱性
- *Suitable for a variety of DC/DC converters inductance.

Measuring frequency/測試頻率

- *100KHz1V

Description/說明

- *Current Rating: Based on the largest decline in ICP to 35 percent and the temperature does not exceed 40 degrees.

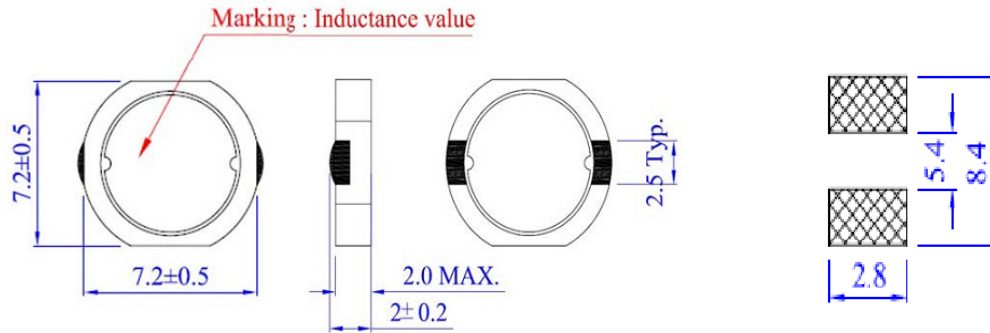
額定電流: 基於電感量最大下降幅度為35%, 以及溫度上升不超過40°C.

DIMENSIONS(mm)

外形尺寸

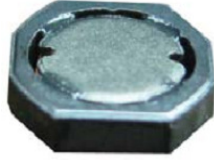
LAND PATTERNS(mm)

端子安裝尺寸



Type 型號	Indicate 表示	Inductance 電感值(μ H)	D.C.R(Max) 直流電阻 (m Ω)	Rated current(Max) 額定電流 (A)
JCR7020-4R7	4R7	4.7 \pm 20%	41	3.30
JCR7020-6R8	6R8	6.8 \pm 20%	61	2.80

JCRH7025C



Features/特點

- *Excellent solderability and high heat resistance.
良好的可焊性和高耐熱性
- *Suitable for a variety of DC/DC converters inductance.

Measuring frequency/測試頻率

*100KHz1V

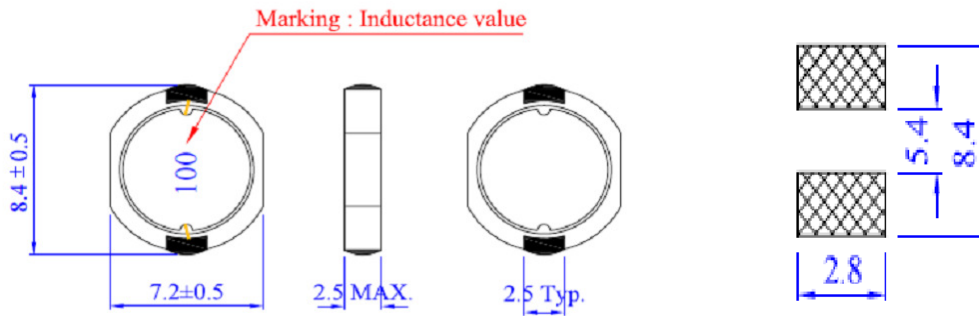
Description/說明

*Current Rating: Based on the largest decline in ICP to 35 percent and the temperature does not exceed 40 degrees.

額定電流: 基於電感量最大下降幅度為35%, 以及溫度上升不超過40°C.

DIMENSIONS(mm) 外形尺寸

LAND PATTERNS(mm) 端子安裝尺寸



Type 型號	Indicate 表示	Inductance 電感值(μH)	D.C.R(Max) 直流電阻 (mΩ)	Rated current(Max) 額定電流 (A)
JCRH7025C-100	100	10±20%	105	2.50
JCRH7025C-220	220	22±20%	190	2.00