

宥發科技有限公司

You Fa Technology CO., Ltd.

Next Generation Lighting ECO Lighting Style

LED Lights



Electrodeless Fluorescent Lamps

You Fa Technology Co., Ltd
Email : martin@led-life.com.tw

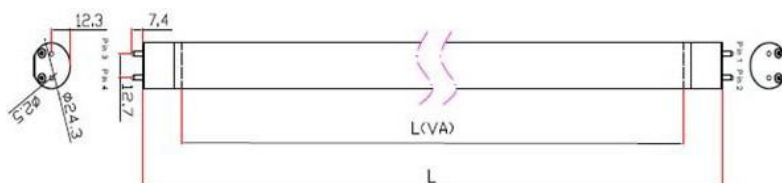
LED Tube

(22W)電源外置式燈管 (Power Outside)



| | |
|------------------|-------------------|
| 【型號】 (NO :) | YUL-22 |
| 輸入電壓 (AC In) | AC90~264(V) |
| 額定功率 (W) | 22(W) |
| 色溫 (Color) | 6000K/3000K |
| 流明值 (Lm) | 2200(lm)/2000(lm) |
| 長度 (Size) | 1198(mm) |
| 重量 (Weight) | 410(g) |
| 使用壽命 (Life Time) | >40000(hr) |
| 工作溫度 (Work Temp) | -20~40°C |
| 演色性 (CRI) | Ra 75 |
| Safety | CE/FCC/PSE |

| | |
|---------------------------|--------------------------------|
| $L \pm 3.0(\text{mm})$ | $L(V/A) \pm 3.0(\text{mm})$ |
| $L \pm 0.12(\text{inch})$ | $L(V/A) \pm 0.12(\text{inch})$ |
| 1198.0 | 1148.0 |
| (47.17 inch) | (45.2 inch) |



You Fa Technology Co., Ltd
Email : martin@led-life.com.tw

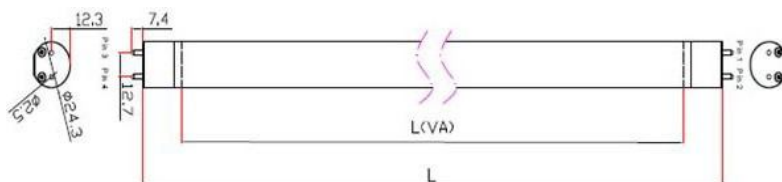
LED Tube

(19W)電源內置式燈管 (Power Inside)



| | |
|-------------------|-------------|
| 【型號】 (Model No :) | YUL-19 |
| 輸入電壓 (AC In) | AC90~264(V) |
| 額定功率 (W) | 19(W) |
| 色溫 (Color) | 3000K/6500K |
| 流明值 (Lm) | 2200(lm) |
| 長度 (Size) | 1198(mm) |
| 重量 (Weight) | 410(g) |
| 使用壽命 (Life Time) | >50000(hr) |
| 工作溫度 (Work Temp) | -20~40°C |
| 演色性 (CRI) | Ra 80 |
| Safety | CE/Rols |

| | |
|---------------------------|--------------------------------|
| $L \pm 3.0(\text{mm})$ | $L(V/A) \pm 3.0(\text{mm})$ |
| $L \pm 0.12(\text{inch})$ | $L(V/A) \pm 0.12(\text{inch})$ |
| 1198.0 | 1148.0 |
| (47.17 inch) | (45.2 inch) |

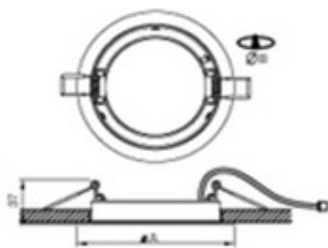


You Fa Technology Co., Ltd
Email : martin@led-life.com.tw

LED Panel Down Light (7W/12W/17W/22W薄型平板燈)



| | |
|------------------|--------------------|
| 【型號】 (NO :) | YULD-7/10/12/17/22 |
| 輸入電壓 (AC In) | AC90~264(V) |
| 額定功率 (W) | 7/10/12/17/22(W) |
| 色溫 (Color) | 6000K/3000K |
| 流明值 (Lm) | 600~2000(lm) |
| 尺寸 (Size) | 4/5/6/8(英寸) |
| 重量 (Weight) | |
| 使用壽命 (Life Time) | >40000(hr) |
| 工作溫度 (Work Temp) | -20~40°C |
| 演色性 (CRI) | Ra 83 |
| 調光 (Dimming) | OK |
| Safety | CE/FCC/PSE |

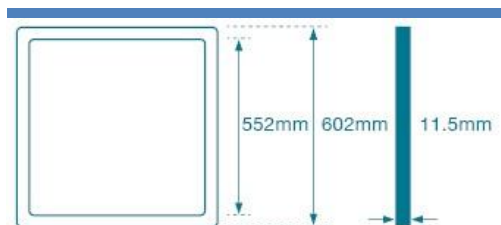


| 型號(NO :) | 額定功率(W) | 外徑(Size) | 開口(φ) |
|-----------|---------|------------|-------|
| YULD-7 | 7 | 125 X 37mm | 105 φ |
| YULD-10 | 10 | 145 X 37mm | 125 φ |
| YULD-12A | 12 | 170 X 37mm | 150 φ |
| YULD-12B | 17 | 170 X 37mm | 150 φ |
| YULD-22 | 22 | 220 X 37mm | 200 φ |

LED Panel Light (40W/60W薄型平板燈)



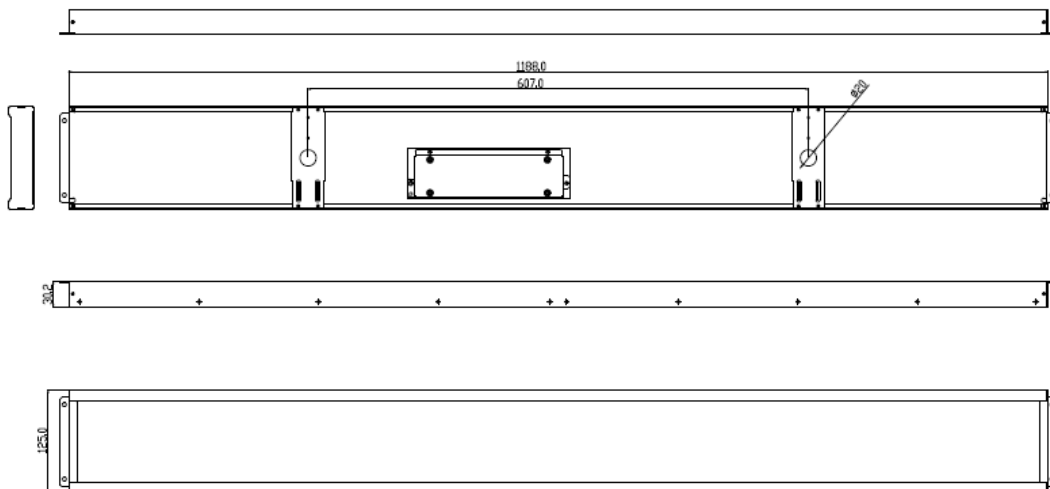
| | |
|------------------|---------------|
| 【型號】 (NO :) | YULP-40/60 |
| 輸入電壓 (AC IN) | AC90~264(V) |
| 額定功率 (W) | 38/58(W) |
| 色溫 (Color) | 6000K/3000K |
| 流明值 (Lm) | 2450/3650(lm) |
| 尺寸 (Size) | 602X 602 mm |
| 重量 (Weigh) | 3.3(Kg) |
| 使用壽命 (Life Time) | >40000(hr) |
| 工作溫度 (Work Time) | -20~40°C |
| 演色性 (CRI) | Ra 70 |
| 調光 (Dimming) | OK |
| Safety | CE/FCC/PSE |



LED Panel Light (42W/12012薄型平板燈)



| | |
|------------------|---------------|
| 【型號】 (NO :) | YULP-421202 |
| 輸入電壓 (AC IN) | AC90~264(V) |
| 額定功率 (W) | 38/(W) |
| 色溫 (Color) | 6000K/3000K |
| 流明值 (Lm) | 2450 (lm) |
| 尺寸 (Size) | 1188X 1250 mm |
| 重量 (Weigh) | 3.3(Kg) |
| 使用壽命 (Life Time) | >40000(hr) |
| 工作溫度 (Work Time) | -20~40°C |
| 演色性 (CRI) | Ra 70 |
| 調光 (Dimming) | OK |
| Safety | CE/FCC/PSE |

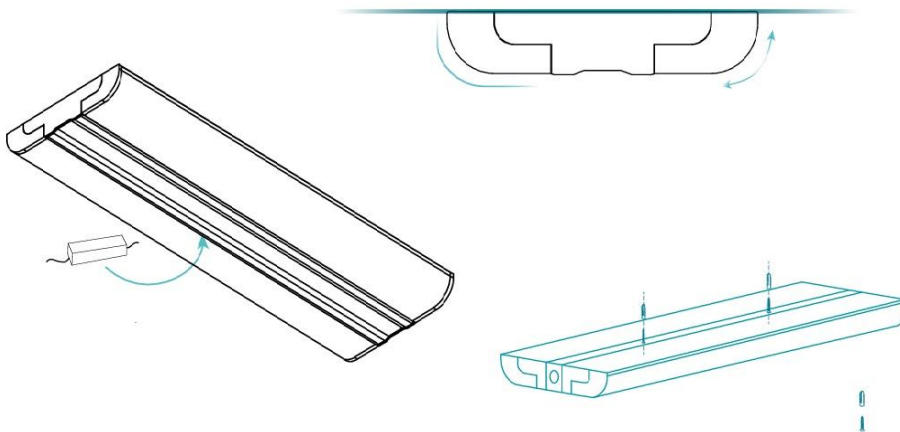


You Fa Technology Co., Ltd
Email : martin@led-life.com.tw

LED Integrated Surface-mounted Light (42W/55W一體式吸頂燈)



| | |
|------------------|----------------------|
| 【型號】 (NO:) | YULI-40/50 |
| 輸入電壓 (AC In) | AC90~264(V) |
| 額定功率 (W) | 42/55(W) |
| 色溫 (Color) | 6000K/3000K |
| 流明值 (Lm) | 3950/4750(lm) |
| 尺寸 (Size) | 1195 X 200 X 36.8 mm |
| 重量 (Weight) | |
| 使用壽命 (Life Time) | >40000(hr) |
| 工作溫度 (Work Temp) | -20~40°C |
| 演色性 (CRI) | Ra 80 |
| 調光 (Dimming) | OK |
| Safety | CE/FCC/PSE |



You Fa Technology Co., Ltd
Email : martin@led-life.com.tw

LED PAR Light IP 68 (15W/20W/30W PAR燈 IP 68)



| | |
|------------------|---------------|
| 【型號】 (NO:) | YULPA-15/20 |
| 輸入電壓 (AC In) | AC90~264(V) |
| 額定功率 (W) | 15(W) |
| 色溫 (Color) | 6000K/3000K |
| 流明值 (Lm) | 1600/2000(lm) |
| 尺寸 (Size) | 108 X 120 mm |
| 重量 (Weight) | |
| 使用壽命 (Life Time) | >50000(hr) |
| 工作溫度 (Work Temp) | -40~50°C |
| 演色性 (CRI) | Ra 70 |
| 調光 (Dimming) | OK |
| Safety | CE/FCC/PSE |

Mechanical Dimensions

P01



P02



You Fa Technology Co., Ltd
Email : martin@led-life.com.tw

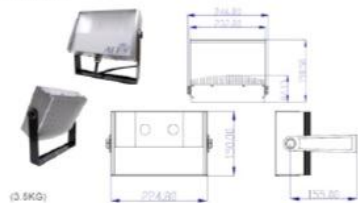
LED Flood Light IP 68 (25W/50W/100W/150W 投射燈 IP 68)



| | | |
|------------------|----------------------|--|
| 【型號】 (NO:) | YULPLO-25/50/100/150 | |
| 輸入電壓 (AC In) | AC90~264(V) | |
| 額定功率 (W) | 25/50/100/150(W) | |
| 色溫 (Color) | 6000K/3000K | |
| 流明值 (Lm) | 2550~15300(lm) | |
| 尺寸 (Size) | | |
| 重量 (Weight) | | |
| 使用壽命 (Life Time) | >50000(hr) | |
| 工作溫度 (Work Temp) | -40~50°C | |
| 演色性 (CRI) | Ra 70 | |
| Safety | CE/FCC/PSE | |

Mechanical Dimensions

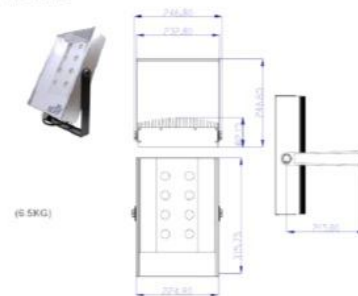
F02t25



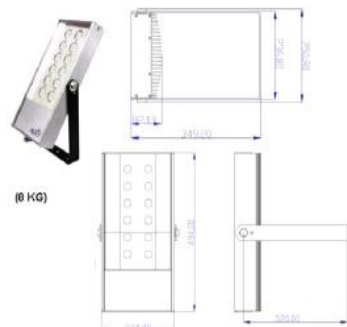
F02t50



F02t75
F02t100



F02t150



You Fa Technology Co., Ltd
Email : martin@led-life.com.tw

LVD Flood Light

(無電極燈 K02-100/130/160/200W)



| | |
|-----------------------|---------------------------|
| 【型號】 (NO:) | YULLVDK2-100/130/160/200W |
| 輸入電壓 (AC In) | AC200~264(V) |
| 額定功率 (W) | 100/130/160/200(W) |
| 色溫 (Color) | 6000K/3000K |
| 流明值 (Lm) | 7500~14000(lm) |
| 尺寸 (Size) | 560 X 570 mm |
| 重量 (Weight) | 4.3Kg |
| 使用壽命 (Life Time) | >100000(hr) |
| 工作溫度 (Work Temp) | -40~50°C |
| 演色性 (CRI) | Ra 80 |
| Light Distance | 6~10M UP |
| Safety | CE/FCC/PSE |

※100W 亮度同等 500W 水銀燈

※(LVD 100W FOR 500W Mercury Luminance)

You Fa Technology Co., Ltd
Email : martin@led-life.com.tw

LVD Flood Light

(無電極燈 K05-100/130/160/200W)



| | |
|-----------------------|---------------------------|
| 【型號】 (NO:) | YULLVDK5-100/130/160/200W |
| 輸入電壓 (AC In) | AC200~264(V) |
| 額定功率 (W) | 100/130/160/200(W) |
| 色溫 (Color) | 6000K/3000K |
| 流明值 (Lm) | 7500~14000(lm) |
| 尺寸 (Size) | 560 X 570 mm |
| 重量 (Weight) | 4.3Kg |
| 使用壽命 (Life Time) | >100000(hr) |
| 工作溫度 (Work Temp) | -40~50°C |
| 演色性 (CRI) | Ra 80 |
| Light Distance | 5~10M |
| Safety | CE/FCC/PSE |

※100W 亮度同等 500W 水銀燈

※(LVD 100W FOR 500W Mercury Luminance)

You Fa Technology Co., Ltd
Email : martin@led-life.com.tw