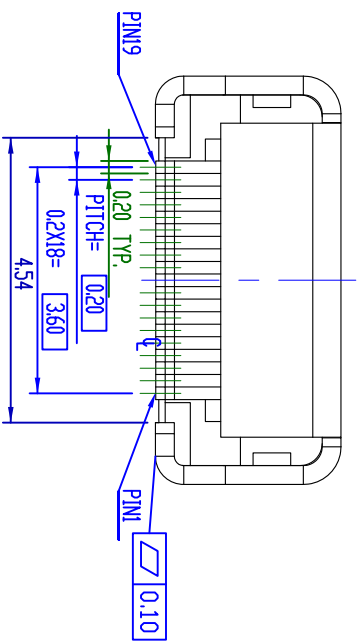
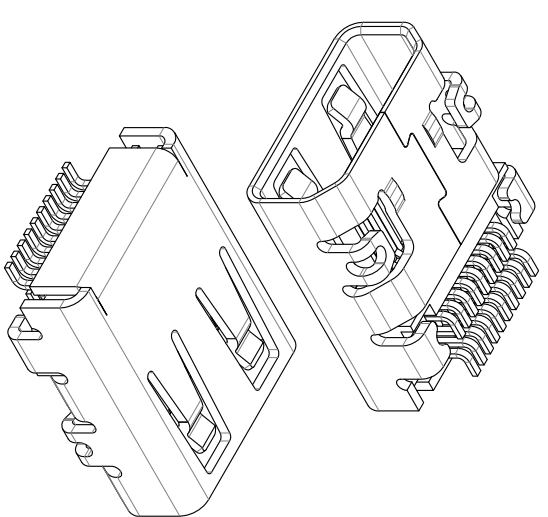
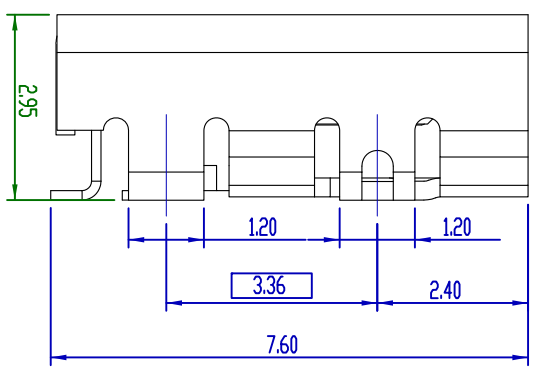
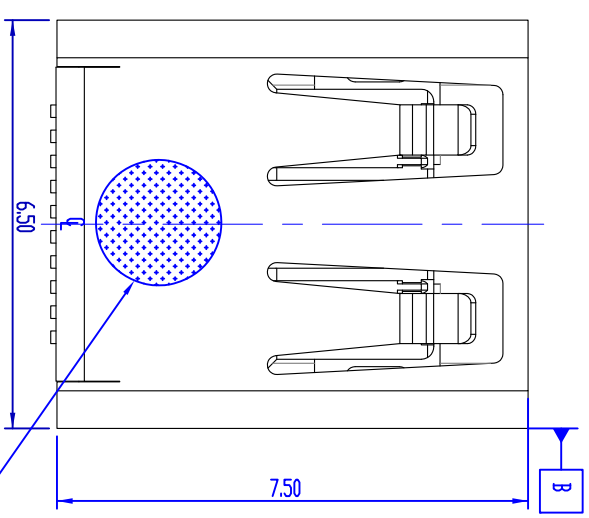
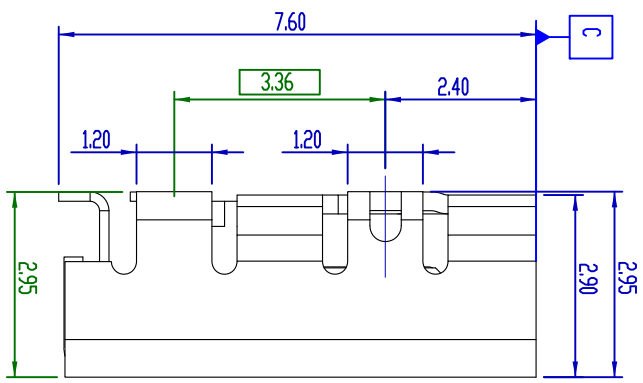
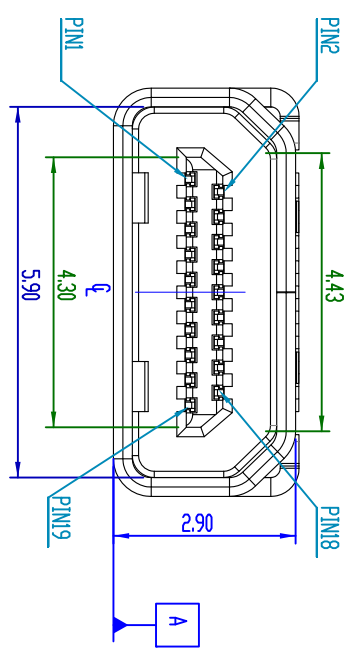


REV.	MODIFICATION	DRAWN	APPROVED
------	--------------	-------	----------

- NOTES :
- 1.Material : High temperature thermoplastic,UL 94-V0.
Housing : High temperature thermoplastic,UL 94-V0.
Color : White
 - Terminal : Copper Alloy,
Shield : Copper Alloy.
 - 2.Shield:
50 U" MIN. NICKEL PLATING OVER ALL.
 3. Part no :100-50001X

- PLATING:
- 2:Terminal : G/F on contact area,
50 U" Min. Tin Plating on Solder Tail
 - 3:Terminal : 5U" Gold Plating on contact area,
50 U" Min. Tin Plating on Solder Tail
 - 4:Terminal : 15 U" Gold on contact area,
50 U" Min. Tin Plating on Solder Tail



THIS PRODUCT DOESNT CONTAIN ENVIRONMENTAL HAZARDOUS MATERIALS PER DIRECTIVE 2002/95/EC FOR ROHS. ALL RIGHTS RESERVED. PRODUCTS ARE COVERED BY PATENTS AND/OR PATENTS PENDING.

GENERAL TOLERANCE	
X ± 0.40	X ± 5°
X ± 0.30	X ± 2°
X ± 0.20	X ± 1°
XXX ± 0.10	XXX ± 0.5°

Hong Chuan Co., Ltd.

HDMI TYPE D RECEPTACLE CONNECTOR

PART NO. 100-50001X

DWG NO. 20120418

CUSTOMER DRAWING	CHECKED	DRAWN	UNIT	SCALE	SHEET
APPROVAL			MM	NONE	1 / 3
					REV. B