



GH-201 THUR 201-R

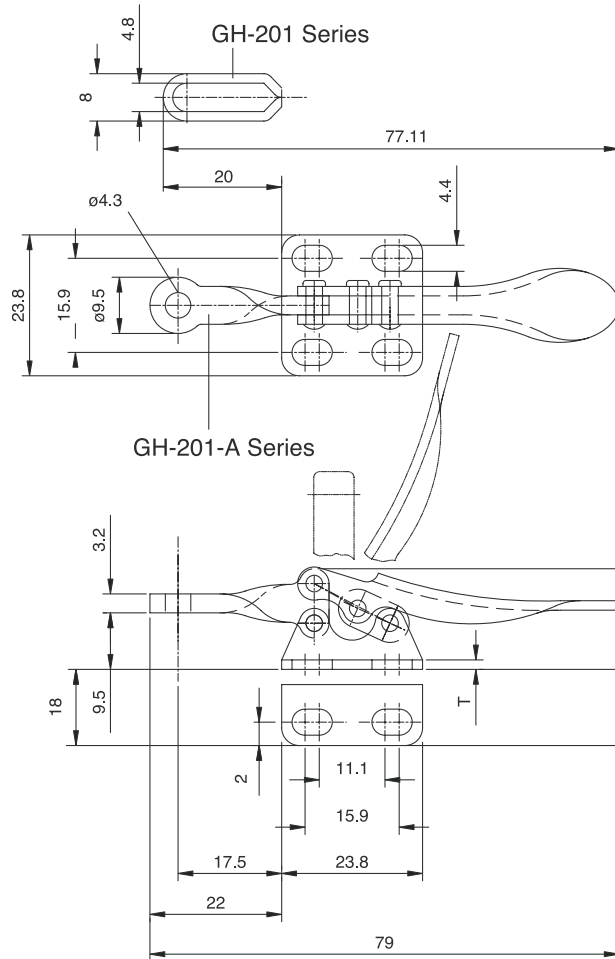
- ▶ HOLDING CAPACITY: 27kg
- ▶ SPINDLE SUPPLIED: GH-SA-08034 (NYLON)
- ▶ BAR OPENS: 90°
- ▶ HANDLE OPENS: 80°



GH-201



GH-201-A



MODEL	DESCRIPTION	WEIGHT(g)	T
GH-201-A	SOLID BAR, FLANGED BASE	30	1.6
GH-201-AI	SOLID BAR, STRAIGHT BASE	30	1.6
GH-201-AL	SOLID BAR, LEFT HAND FLANGED BASE	30	3.2
GH-201-AR	SOLID BAR, RIGHT HAND FLANGED BASE	30	3.2
GH-201	U-BAR, FLANGED BASE	35	1.6
GH-201-I	U-BAR, STRAIGHT BASE	35	1.6
GH-201-L	U-BAR, LEFT HAND FLANGED BASE	35	3.2
GH-201-R	U-BAR, RIGHT HAND FLANGED BASE	35	3.2
GH-201-SS	STAINLESS STEEL		
GH-201-ASS	STAINLESS STEEL		

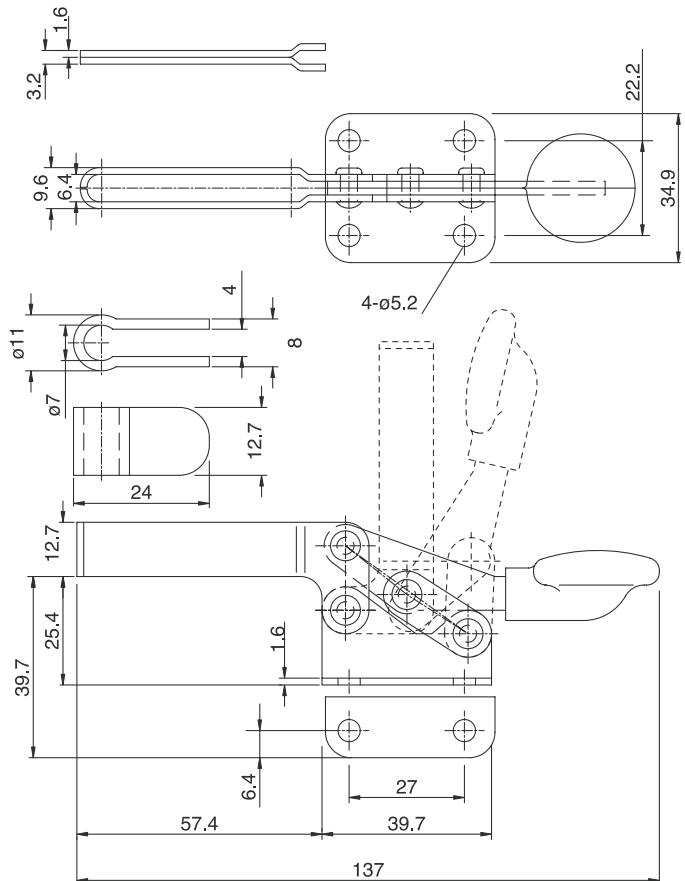
UNT:mm

GH-22100 THUR GH-22115

- ▶ WEIGHT: 110g
- ▶ HOLDING CAPACITY: 68kg
- ▶ SPINDLE SUPPLIED: GH-FC-14134
- ▶ BAR OPENS: 90°
- ▶ HANDLE OPENS: 90°



GH-22100



MODEL	DESCRIPTION
GH-22100	U-BAR, FLANGED BASE
GH-22105	U-BAR, STRAIGHT BASE
GH-22110	SOLID BAR, FLANGED BASE
GH-22115	SOLID BAR, STRAIGHT BASE

UNT:mm



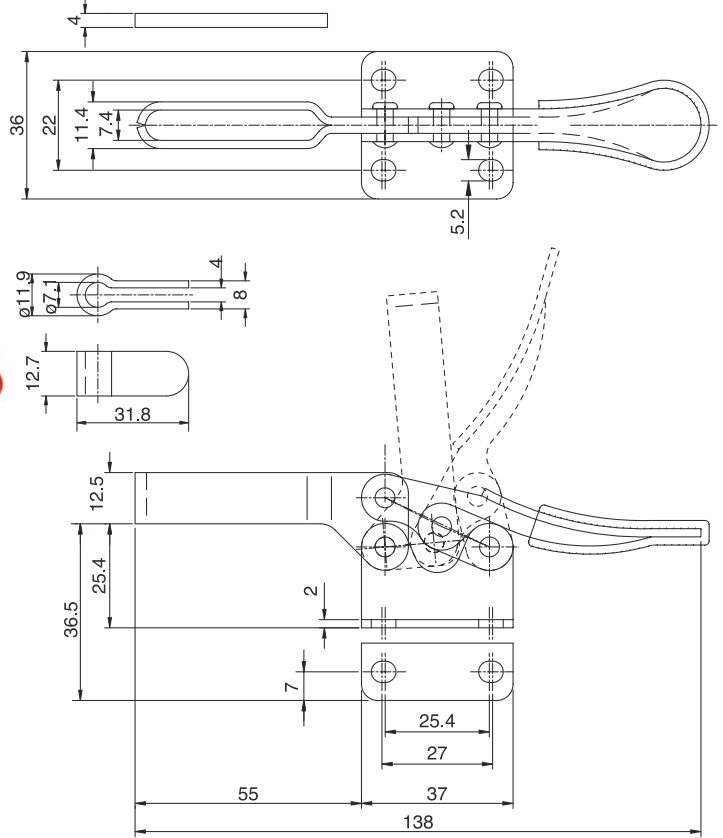
HORIZONTAL HANDLE TOGGLE CLAMPS

GH-201-B THUR GH-201-BSI

- ▶ WEIGHT: 130g
- ▶ HOLDING CAPACITY: 90kg
- ▶ SPINDLE SUPPLIED: GH-FC-14134
- ▶ BAR OPENS: 85°
- ▶ HANDLE OPENS: 60°



GH-201-B



UNT:mm

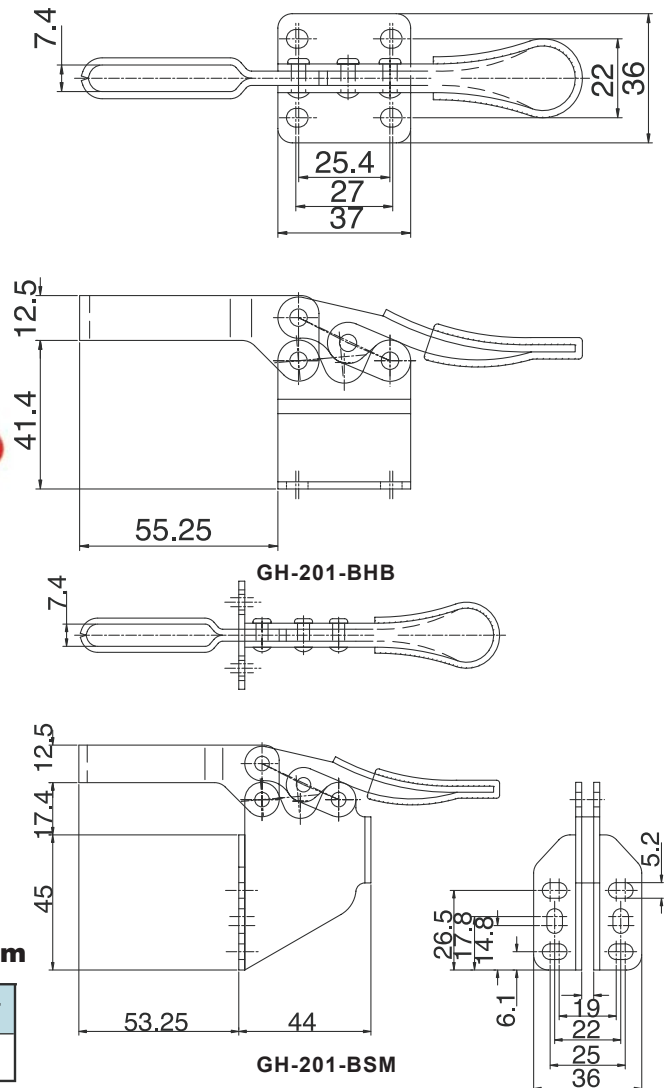
MODEL	DESCRIPTION
GH-201-B	U-BAR, FLANGED BASE
GH-201-BI	U-BAR, STRAIGHT BASE
GH-201-BS	SOLID BAR, FLANGED BASE
GH-201-BSI	SOLID BAR, STRAIGHT BASE
GH-201-BSS	STAINLESS STEEL

GH-201-BHB GH-201-BSM

- ▶ HOLDING CAPACITY: 90kg
- ▶ SPINDLE SUPPLIED: GH-FC-14134
- ▶ BAR OPENS: 85°
- ▶ HANDLE OPENS: 60°



GH-201-BHB



UNT:mm

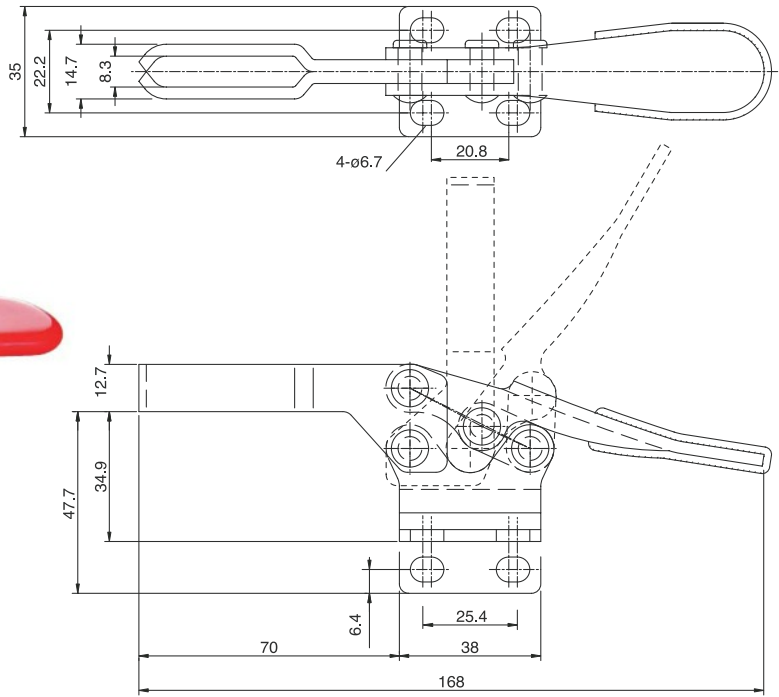
MODEL	WEIGHT(g)	HOLDING CAPACITY(kg)	SPINDLE SUPPLIED	BAR OPENS	HANDLE OPENS
GH-201-BHB	146	90	GH-FC-14134	85°	60°
GH-201-BSM	163				

GH-225-D THUE GH-225-DI

- ▶ WHIGHT:265g
- ▶ HOLDING CAPACITY:227kg
- ▶ SPINDLE SUPPLIED:GH-FC-56212
- ▶ BAR OPENS:90°
- ▶ HANDLE OPENS:65°



GH-225-D



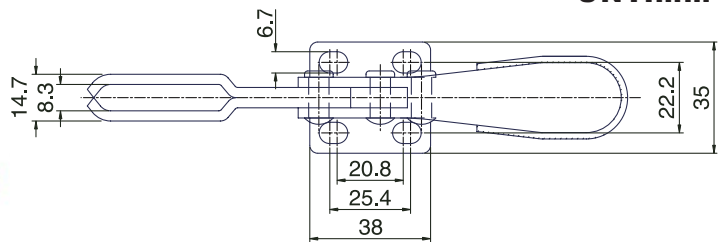
MODEL	DESCRIPTION
GH-225-D	U-BAR, FLANGED BASE
GH-225-DI	U-BAR, STRAIGHT BASE
GH-225-DSS	STAINLESS STEEL

UNT:mm

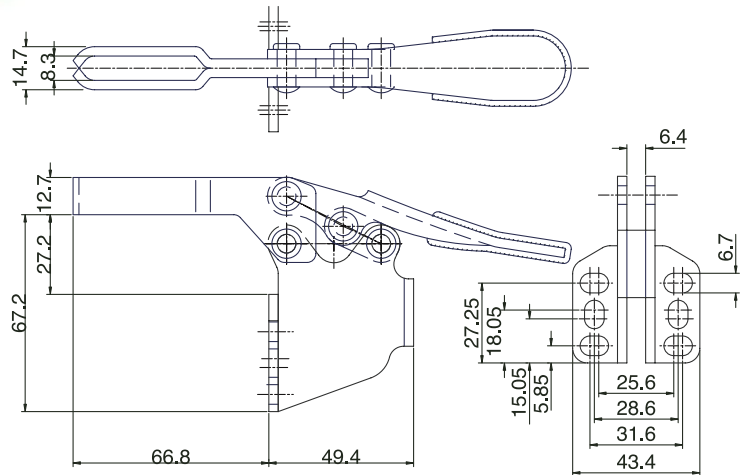
GH-225-DHB GH-225-DSM



GH-225-DSM



GH-225-DHB



GH-225-DSM

MODEL	WEIGHT(g)	HOLDING CAPACITY(kg)	SPINDLE SUPPLIED	BAR OPENS	HANDLE OPENS
GH-225-DHB	286	227	GH-FC-56212	90°	65°
GH-225-DSM	315				

UNT:mm



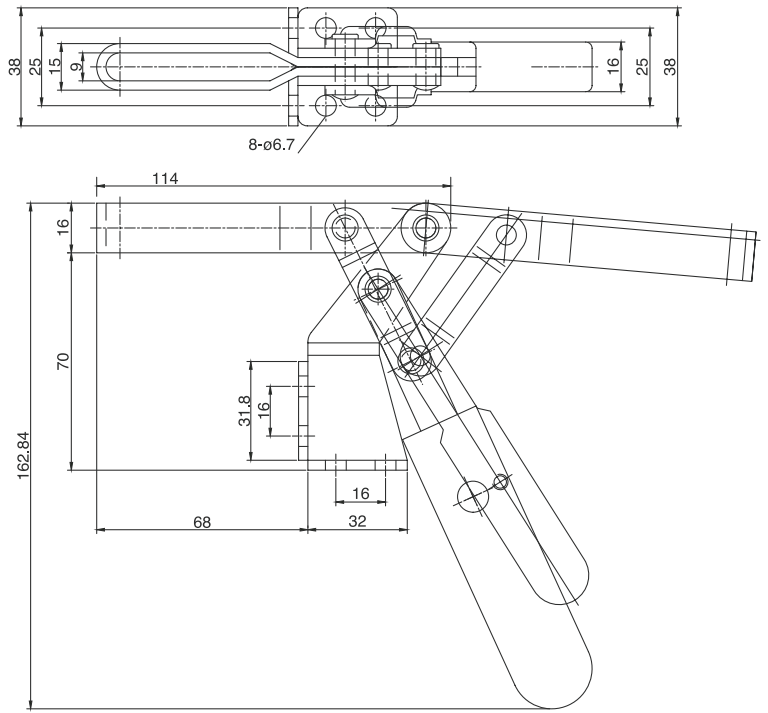
HORIZONTAL HANDLE TOGGLE CLAMPS

GH-20820

- ▶ WEIGHT: 400g
- ▶ HOLDING CAPACITY: 100kg
- ▶ SPINDLE SUPPLIED: GH-FC-56212
- ▶ BAR OPENS: 185°
- ▶ HANDLE OPENS: 60°



GH-20820



UNT:mm

GH-22165 THRU GH-22200

- ▶ HOLDING CAPACITY: 250kg
- ▶ SPINDLE SUPPLIED: GH-FC-56212
- ▶ BAR OPENS: 96°
- ▶ HANDLE OPENS: 88°

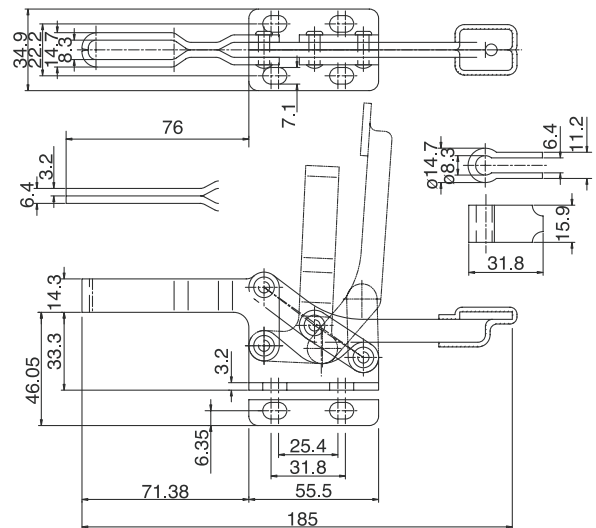


GH-22165

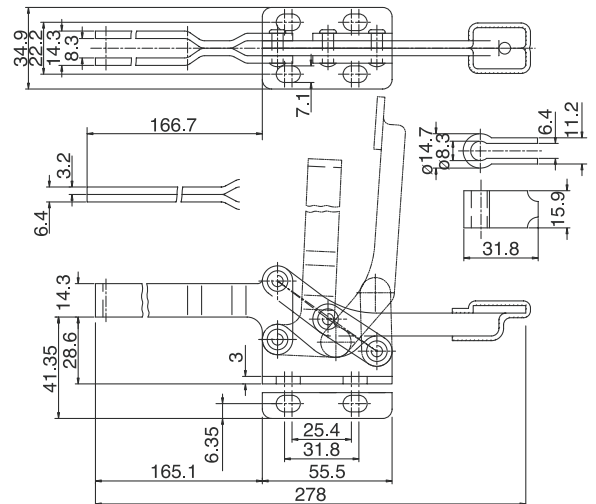


GH-22185

SHORT U BAR GH-22165~GH-22180



LONG OPEN BAR GH-22185~GH-22200

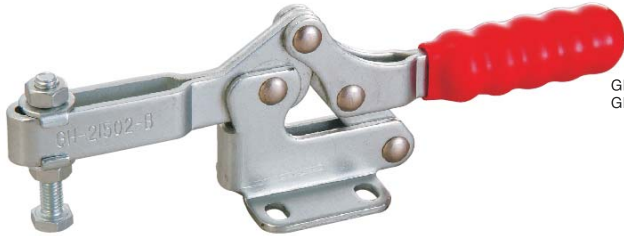


MODEL	DESCRIPTION	WEIGHT(g)
GH-22165	SHORT U-BAR, FLANGED BASE	285
GH-22170	SHORT U-BAR, STRAIGHT BASE	285
GH-22175	SHORT SOLID BAR, FLANGED BASE	300
GH-22180	SHORT SOLID BAR, STRAIGHT BASE	300
GH-22185	LONG OPEN BAR, FLANGED BASE	360
GH-22190	LONG OPEN BAR, STRAIGHT BASE	360
GH-22195	LONG SOLD BAR, FLANGED BASE	365
GH-22200	LONG SOLD BAR, STRAIGHT BASE	365

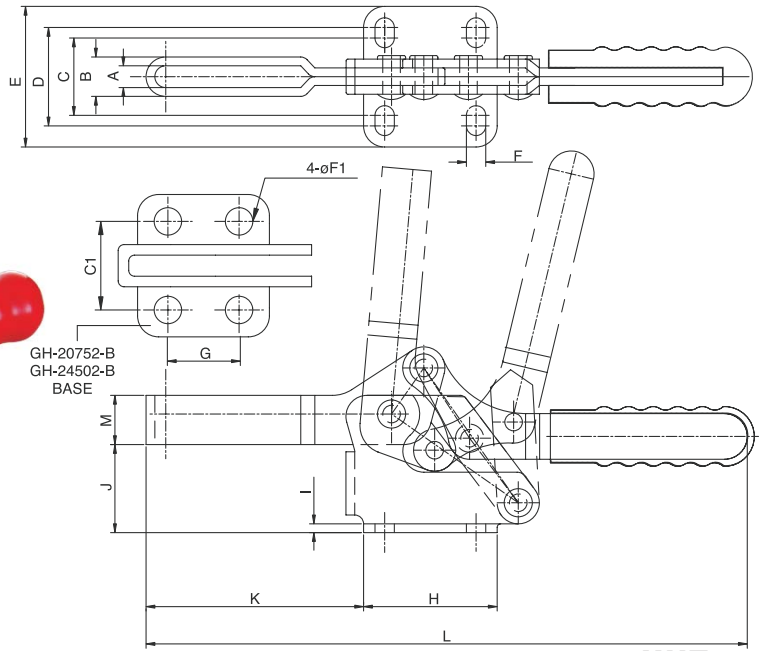
UNT:mm

GH-20752-B THRU GH-24502-B

- ▶ GH-24502-B has
- ▶ Hardened bushings
- ▶ Removable ground pins.



GH-21502-B



UNT:mm

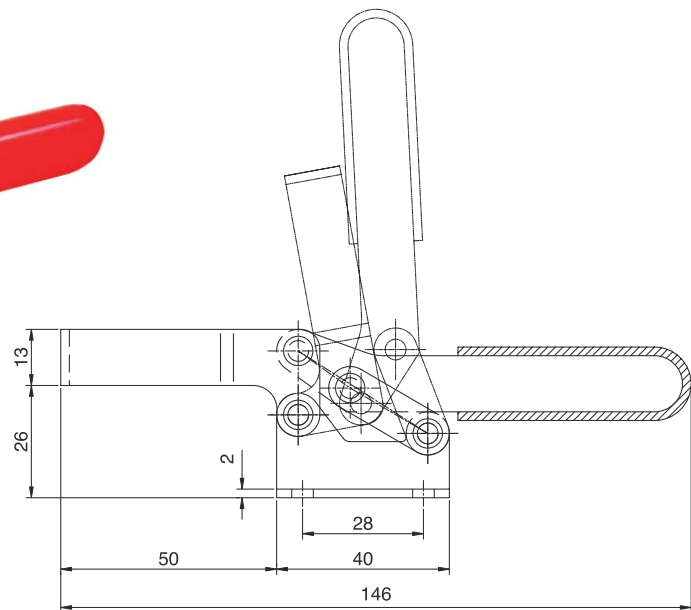
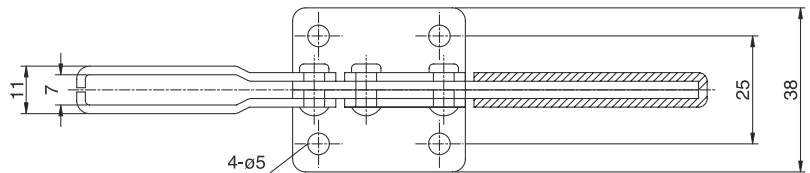
MODEL	WEIGHT(g)	HOLDING CAPACITY(kg)	SPINDLE SUPPLIED	BAR OPENS	HANDLE OPENS	A	B	C	C1	D	E	F	ØF1	G	H	I	J	K	L	M
GH-20752-B	100	75	GH-SA-053008	76°	94°	5.8	9.8	-	16.8	-	27	-	5.2	13.5	25	2	19	37	109	9.5
GH-21502-B	230	150	GH-SA-064010			6.2	11.2	22	-	28	40	5.5	-	26	38	2.5	25.05	61.87	171	14
GH-22502-B	430	250	GH-SA-085012			9	15	26	-	31	47	6.6	-	26	42	3	34	79	219	17.5
GH-23502-B	500	350	GH-SA-107515			11.4	19.4	39	-	42.9	59	8.7	-	41.2	59	4	45	108	274	23
GH-24502-B	1400	450	GH-SA-121017			13.2	23.2	-	41.3	-	57	-	8.7	41.2	66	4	59	128	303	26
GH-21502-BSS	STAINLESS STEEL																			
GH-21702-BSS	STAINLESS STEEL																			

GH-201-C

- ▶ WEIGHT: 140g
- ▶ HOLDING CAPACITY: 100kg
- ▶ SPINDLE SUPPLIED: GH-FC-14134
- ▶ BAR OPENS: 79°
- ▶ HANDLE OPENS: 87°



GH-201-C



UNT:mm



GH-203-F GH-202-F

GH-203-FL GH-202-FL GH-203-P

- ▶ HOLDING CAPACITY: 227kg
- ▶ SPINDLE SUPPLIED: GH-FC-56212
- ▶ BAR OPENS: 85°
- ▶ HANDLE OPENS: 58°



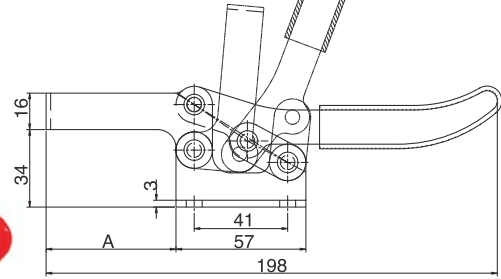
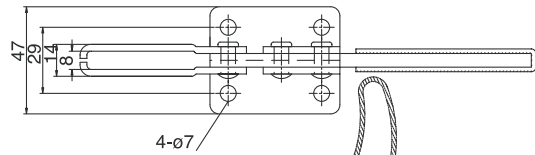
GH-202-FL



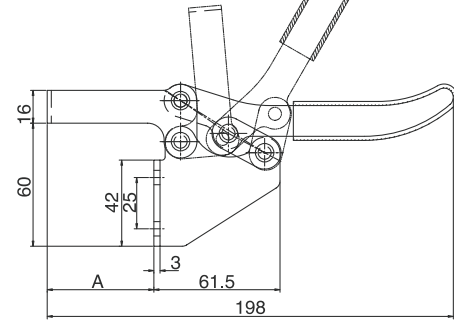
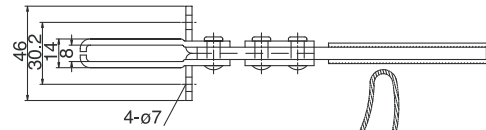
GH-203-P



GH-203-F



GH-203-F



GH-202-FL

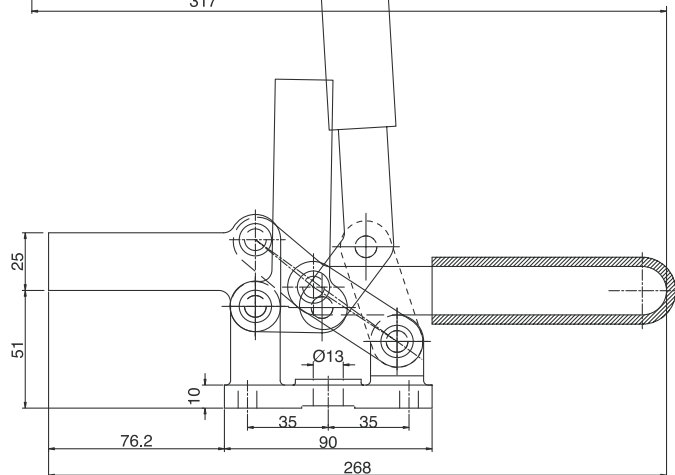
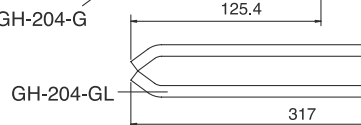
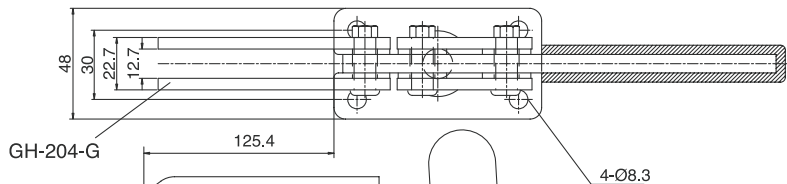
UNT:mm

MODEL	DESCRIPTION	WEIGHT(g)	A
GH-203-F	U-BAR, FLANGED BASE	340	57
GH-203-FL	LONG U-BAR, FLANGED BASE	380	94
GH-202-F	U-BAR, SIDE MOUNTED	385	52
GH-202-FL	LONG U-BAR, SIDE MOUNTED	425	89
GH-203-P	U-BAR, FLANGED BASE, LONG HANDLE	383	57
GH-203-FSS	STAINLESS STEEL		

GH-204-G

GH-204-GL

- ▶ Heavy Duty
- ▶ Can be Mounted to any Fixture Using the 4 Hole Bolt Pattern or to Any T-Slot Table with 1/2 T-Slot Bolt.
- ▶ Supplied with bushings
- ▶ Hardened ground pivots
- ▶ WEIGHT: 1220g
- ▶ HOLDING CAPACITY: 636kg
- ▶ SPINDLE SUPPLIED: GH-SA-12300
- ▶ BAR OPENS: 91°
- ▶ HANDLE OPENS: 94°



GH-204-G

MODEL	DESCRIPTION
GH-204-G	OPEN BAR, DUCTILE IRON BASE
GH-204-GL	LONG OPEN BAR, DUCTILE IRON BASE

UNT:mm

好工具商店街(元碁機械五金)
地址：桃園縣中壢市中園路163號

http://www.yen-g.com.tw TEL: (03)462-5858
mail: sp163@ms34.hinet.net FAX: (03)462-0887



HORIZONTAL HANDLE TOGGLE CLAMPS

GH-204-GB

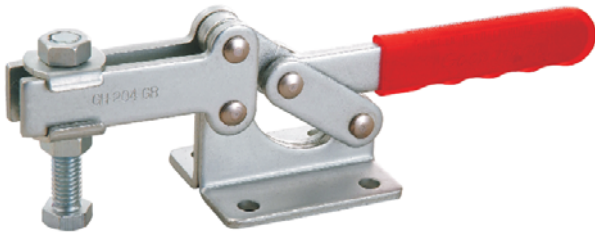
GH-204-GBL

GH-204-GBLH

- ▶ HOLDING CAPACITY: 630kg
- ▶ SPINDLE SUPPLIED: GH-SA-12300
- ▶ BAR OPENS: 90°
- ▶ HANDLE OPENS: 94°

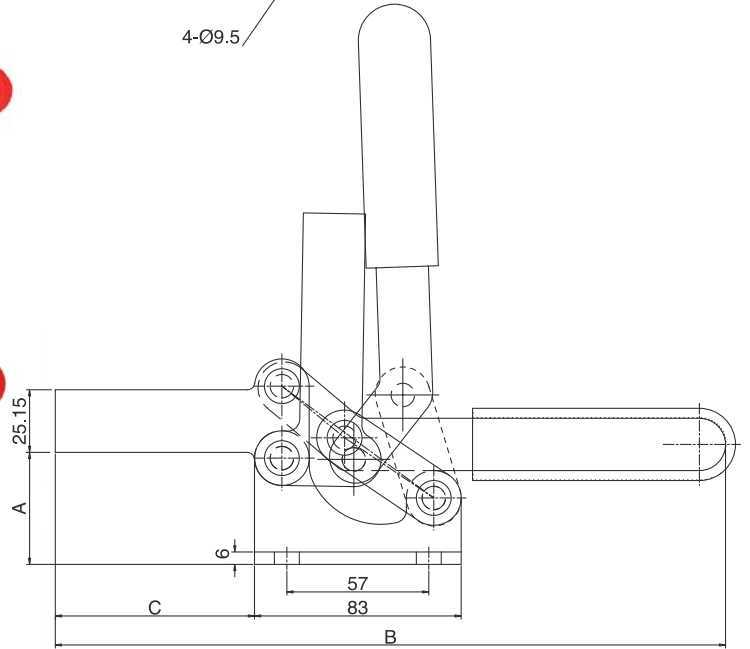
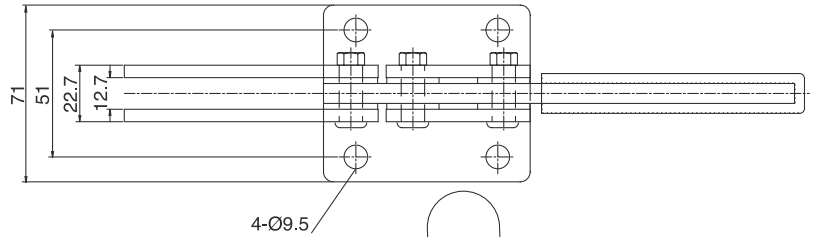


GH-204-GBLH



GH-204-GB

MODEL	DESCRIPTION	WEIGHT(g)	A	B	C
GH-204-GB	SHORT BAR, LOW BASE	1180	45	269	80
GH-204-GBL	LONG BAR, LOW BASE	1260	45	316	127
GH-204-GBLH	LONG BAR, HIGH BASE	1465	71	316	127



UNT:mm

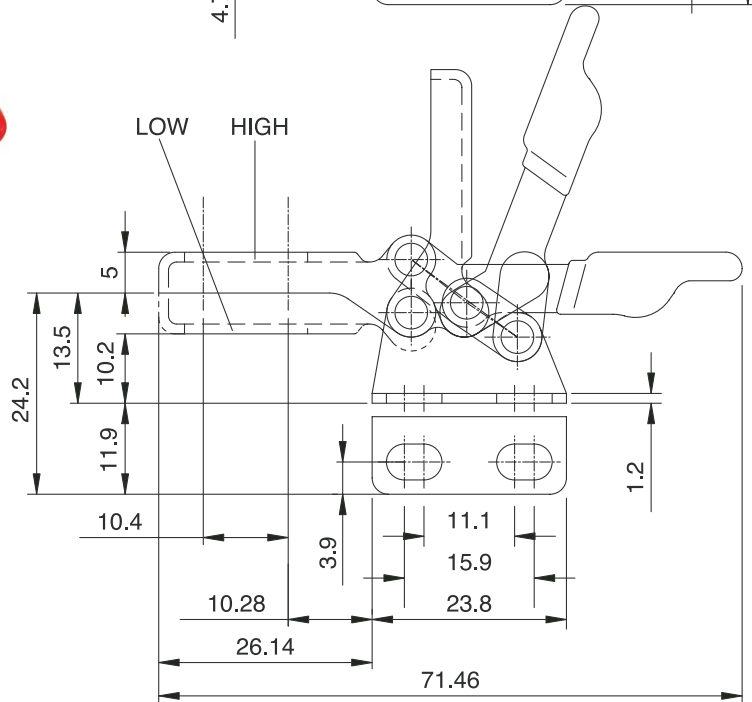
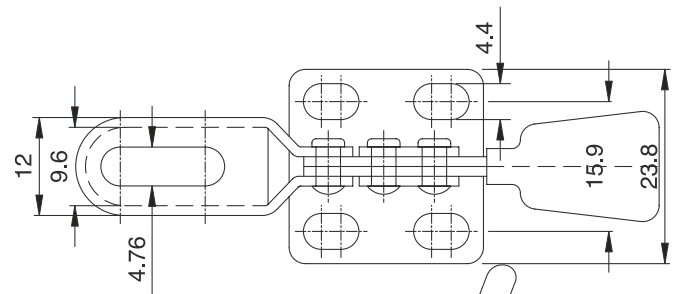
GH-22005 THRU GH-22040

- ▶ WEIGHT: 25g
- ▶ HOLDING CAPACITY: 22.7kg
- ▶ SPINDLE SUPPLIED: GH-SA-08034(NYLON)
- ▶ BAR OPENS: 90°
- ▶ HANDLE OPENS: 60°



GH-22025

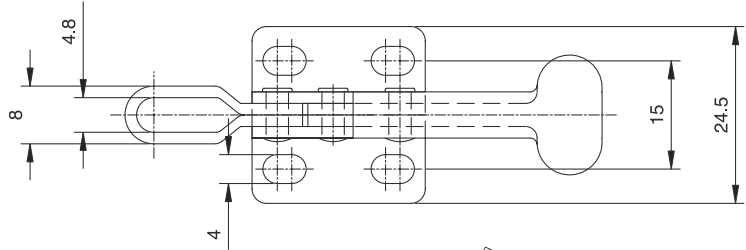
MODEL	DESCRIPTION
GH-22005	HIGH BAR, FLANGED BASE
GH-22010	HIGH BAR, STRAIGHT BASE
GH-22015	HIGH BAR, RIGHT HAND FLANGED BASE
GH-22020	HIGH BAR, LEFT HAND STRAIGHT BASE
GH-22025	LOW BAR, FLANGED BASE
GH-22030	LOW BAR, STRAIGHT BASE
GH-22035	LOW BAR, RIGHT HAND FLANGED BASE
GH-22040	LOW BAR, LEFT HAND STRAIGHT BASE



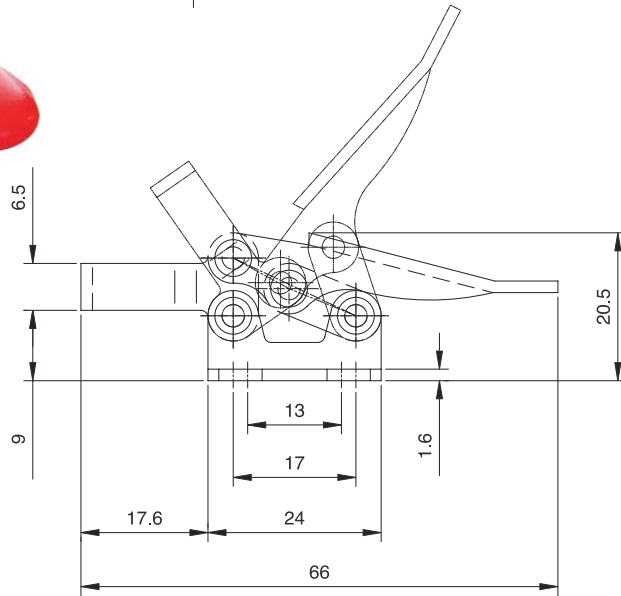
UNT:mm

GH-20400

- ▶ WHIGHT: 25.5g
- ▶ HOLDING CAPACITY: 20kg
- ▶ SPINDLE SUPPLIED: GH-SA-042507
- ▶ BAR OPENS: 55°
- ▶ HANDLE OPENS: 60°



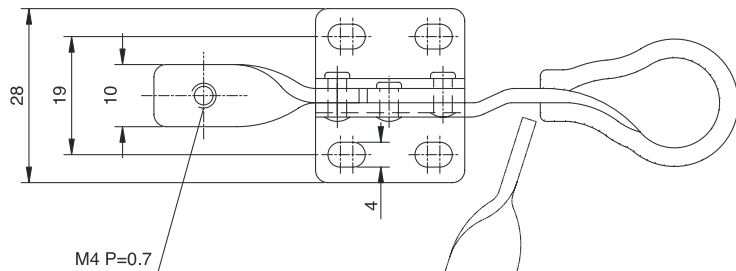
GH-20400



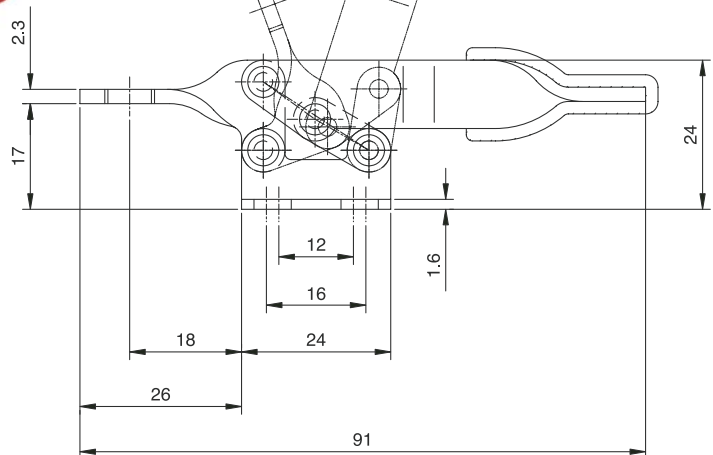
UNT:mm

GH-20100

- ▶ WHIGHT: 35g
- ▶ HOLDING CAPACITY: 20kg
- ▶ SPINDLE SUPPLIED: GH-SA-042507
- ▶ BAR OPENS: 75°
- ▶ HANDLE OPENS: 75°



GH-20100



UNT:mm



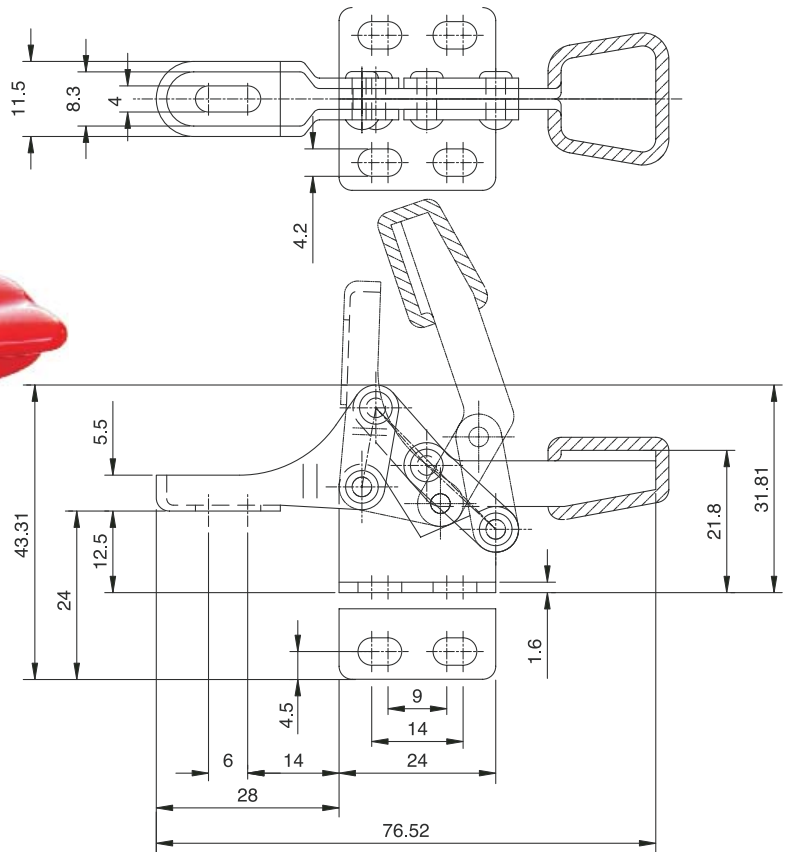
HORIZONTAL HANDLE TOGGLE CLAMPS

GH-20800 AND GH-21800

- ▶ WHIGHT:40g
- ▶ HOLDING CAPACITY:30kg
- ▶ SPINDLE SUPPLIED:GH-FC-042507
- ▶ BAR OPENS:80°
- ▶ HANDLE OPENS:88°



GH-20800

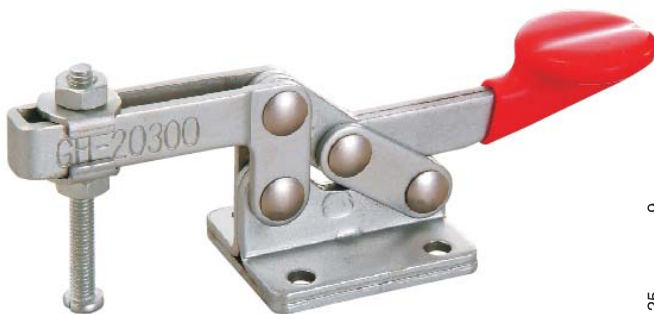


MODEL	DESCRIPTION
GH-20800	FLANGED BASE
GH-21800	STRAIGHT BASE
GH-20800-SS	STAINLESS STEEL

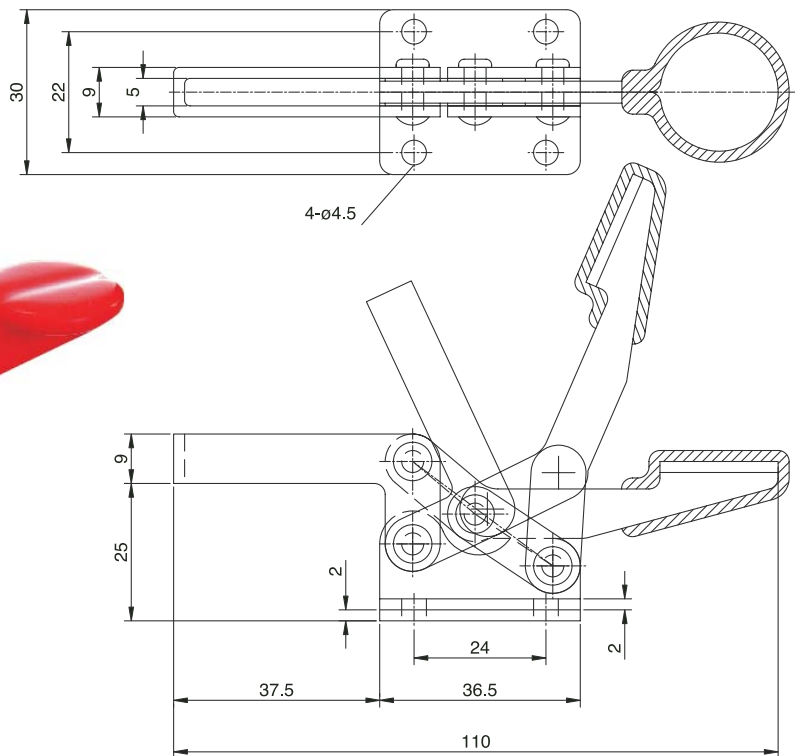
UNT:mm

GH-20300

- ▶ WHIGHT:100g
- ▶ HOLDING CAPACITY:30kg
- ▶ SPINDLE SUPPLIED:GH-SA-044007
- ▶ BAR OPENS:65°
- ▶ HANDLE OPENS:55°



GH-20300



UNT:mm

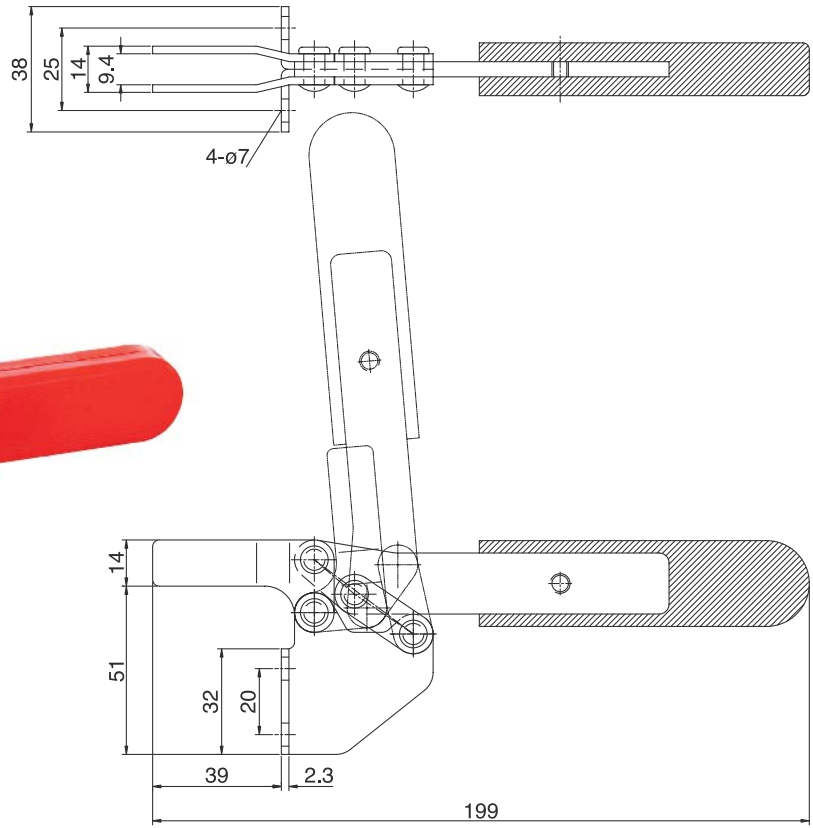


GH-21383

- ▶ WHIGHT:210g
- ▶ HOLDING CAPACITY:250kg
- ▶ SPINDLE SUPPLIED:GH-SA-065010
- ▶ BAR OPENS:72°
- ▶ HANDLE OPENS:72°



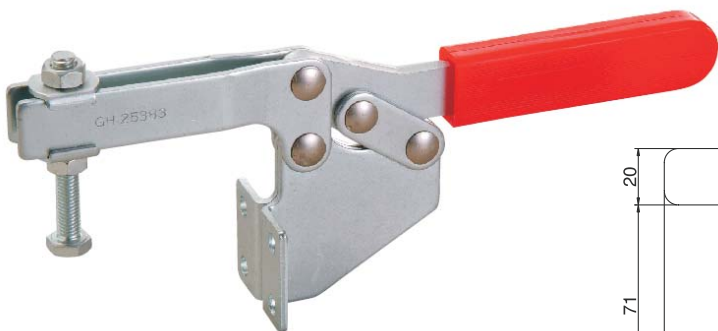
GH-21383



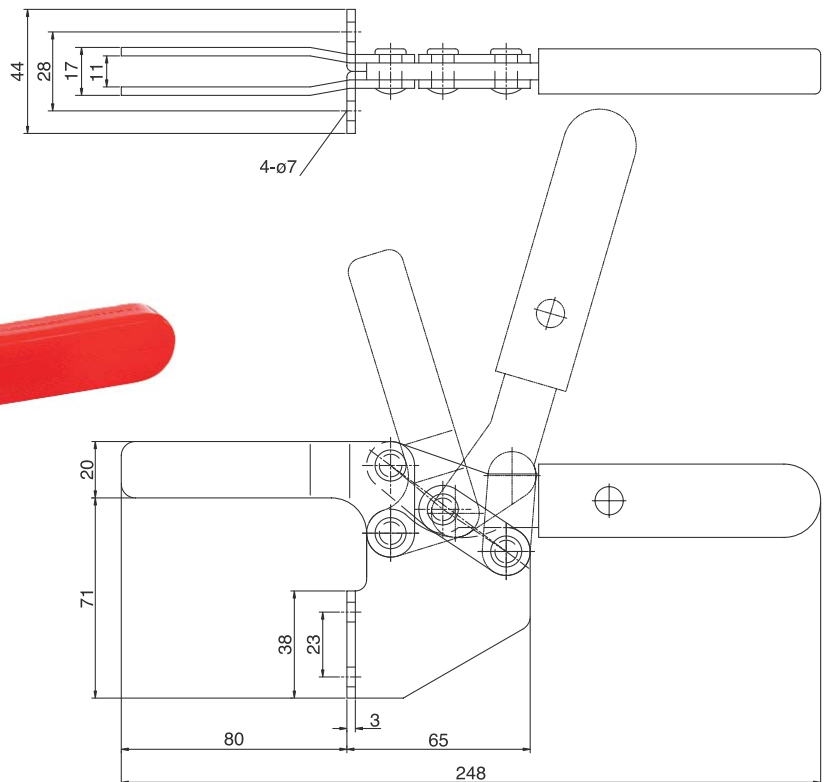
UNT:mm

GH-25383

- ▶ WHIGHT:435g
- ▶ HOLDING CAPACITY:280kg
- ▶ SPINDLE SUPPLIED:GH-SA-086512
- ▶ BAR OPENS:80°
- ▶ HANDLE OPENS:80°



GH-25383



UNT:mm



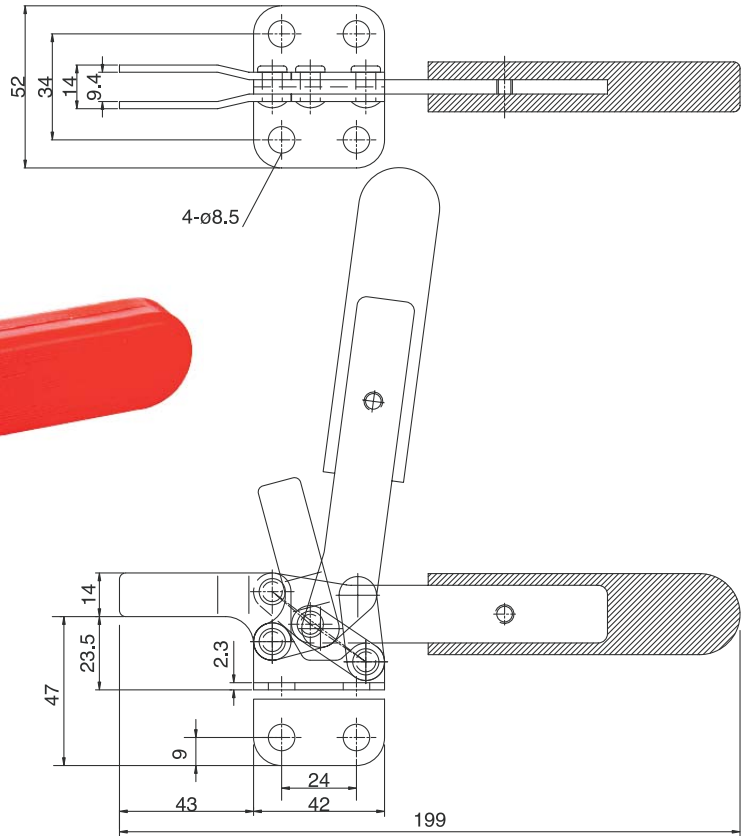
HORIZONTAL HANDLE TOGGLE CLAMPS

GH-21382 AND GH-22382

- ▶ WHIGHT:190g
- ▶ HOLDING CAPACITY:250kg
- ▶ SPINDLE SUPPLIED:GH-SA-065010
- ▶ BAR OPENS:75°
- ▶ HANDLE OPENS:70°



GH-21382

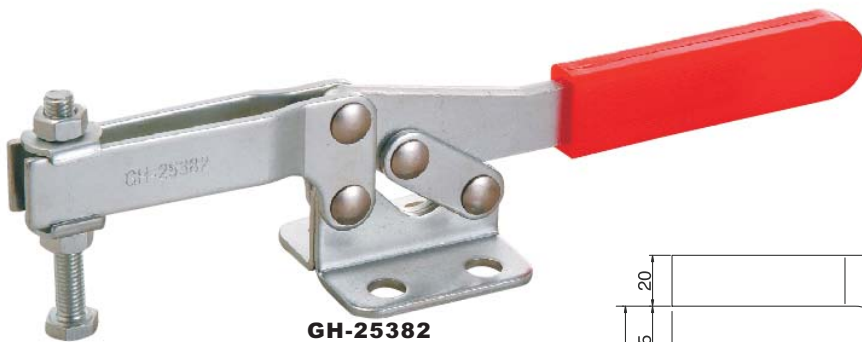


MODEL	DESCRIPTION
GH-21382	FLANGED BASE
GH-22382	STRAIGHT BASE
GH-21382-SS	STAINLESS STEEL

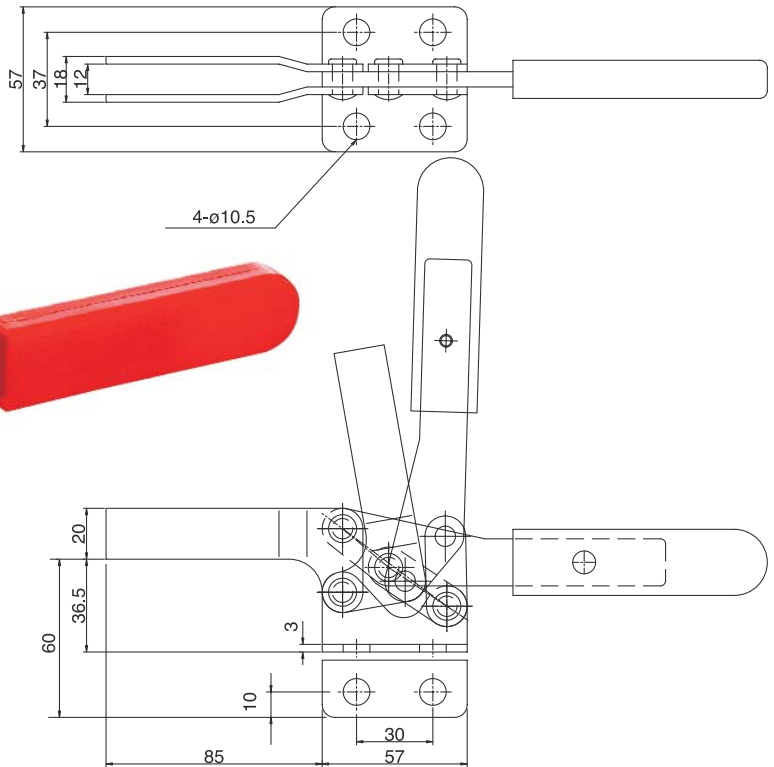
UNT:mm

GH-25382 AND GH-26382

- ▶ WHIGHT:380g
- ▶ HOLDING CAPACITY:280kg
- ▶ SPINDLE SUPPLIED:GH-SA-086512
- ▶ BAR OPENS:80°
- ▶ HANDLE OPENS:80°



GH-25382



MODEL	DESCRIPTION
GH-25382	FLANGED BASE
GH-26382	STRAIGHT BASE

UNT:mm

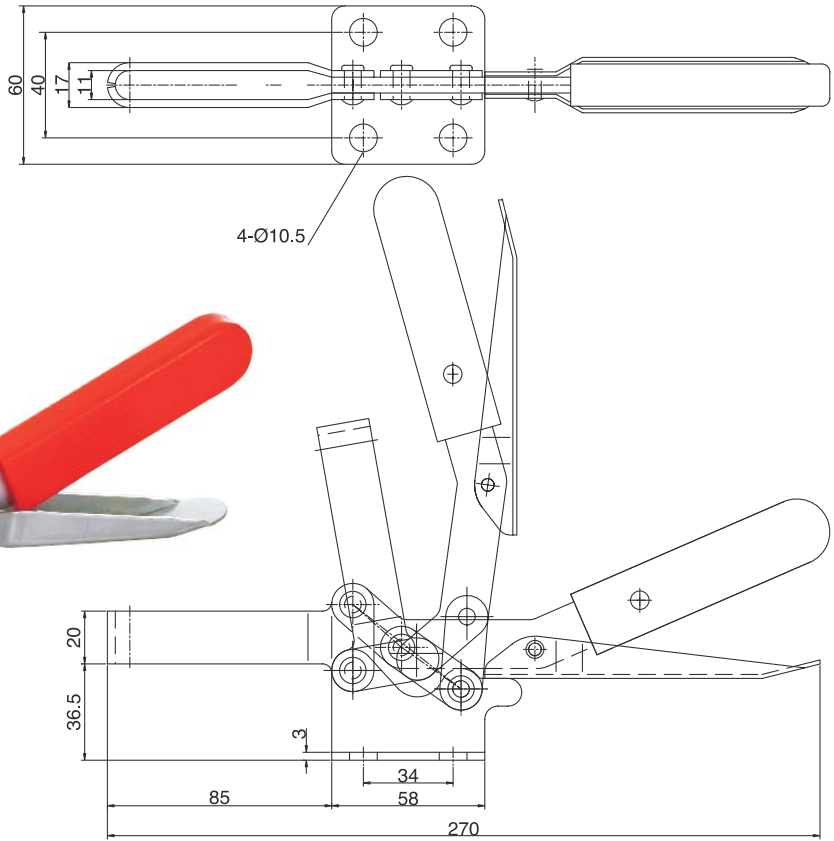


GH-21385

- ▶ WHIGHT:490g
- ▶ HOLDING CAPACITY:300kg
- ▶ SPINDLE SUPPLIED:GH-SA-38200
- ▶ BAR OPENS:80°
- ▶ HANDLE OPENS:85°



GH-21385



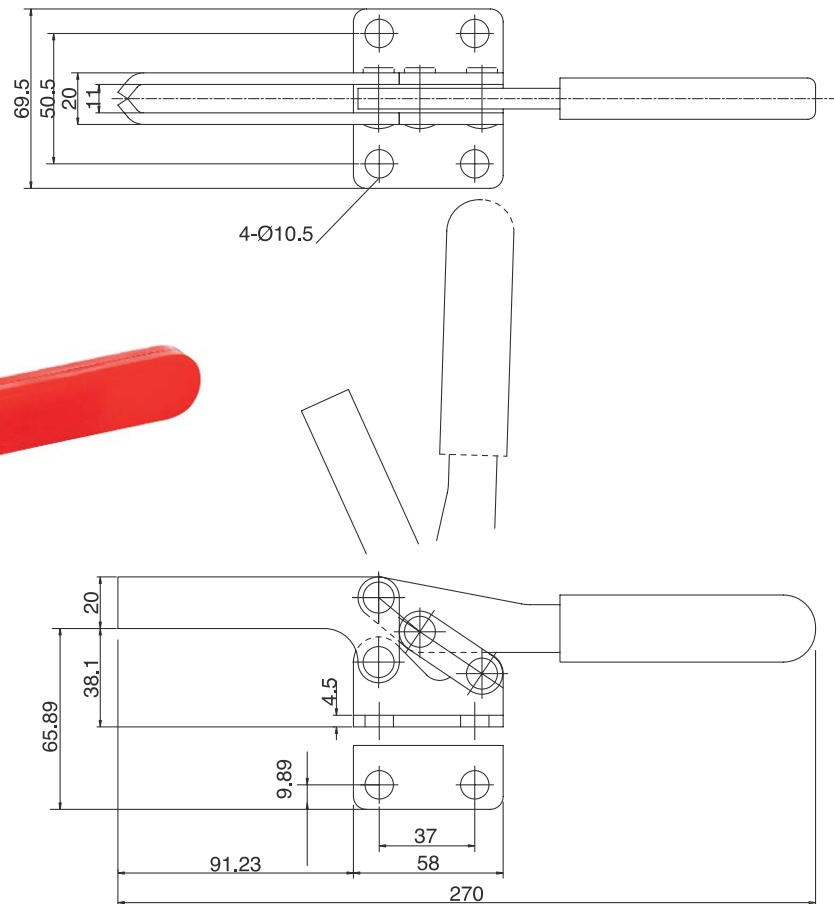
UNT:mm

GH-21384 AND GH-22384

- ▶ WHIGHT:635g
- ▶ HOLDING CAPACITY:500kg
- ▶ SPINDLE SUPPLIED:GH-SA-106515
- ▶ BAR OPENS:65°
- ▶ HANDLE OPENS:85°



GH-21384



UNT:mm

MODEL	DESCRIPTION
GH-21384	FLANGED BASE
GH-22384	STRAIGHT BASE

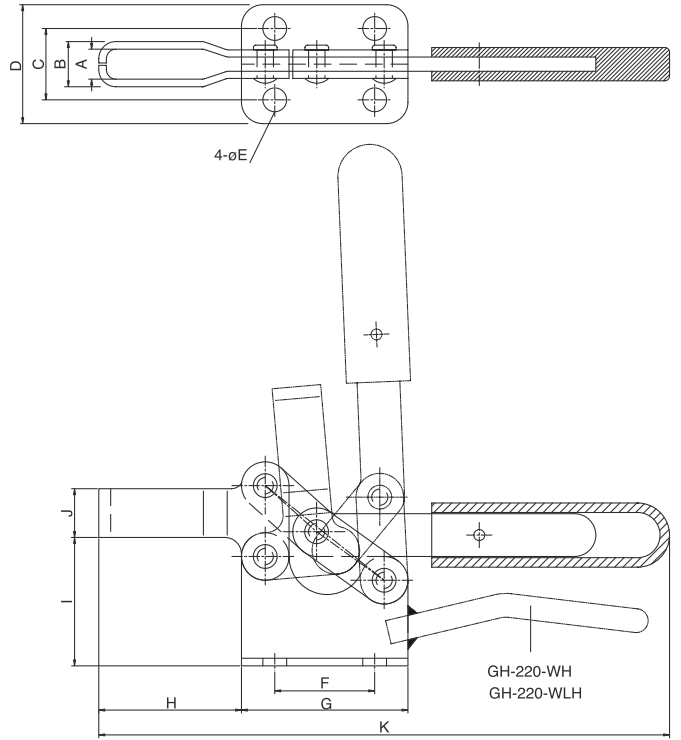
GH-200-W THRU GH-220-WLH



GH-200-W



GH-220-WLH



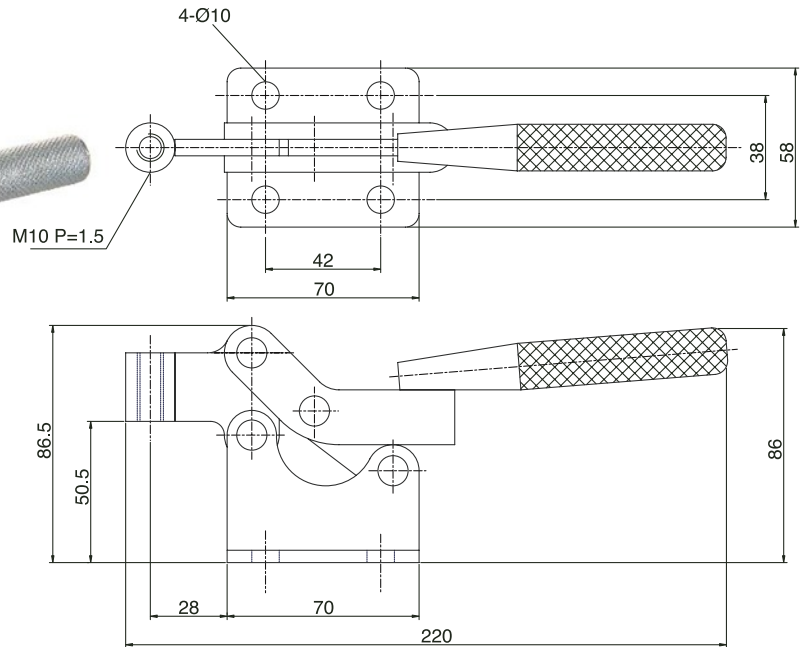
UNT:mm

MODEL	WEIGHT(g)	HOLDING CAPACITY(kg)	SPINDLE SUPPLIED	BAR OPENS	HANDLE OPENS	A	B	C	D	ØE	F	G	H	I	J	K	L
GH-200-W	600	400	GH-FC-38312	84°	85°	12.6	19	30	50	10	42	70	60	54	20.5	240	3.2
GH-200-WL	640					12.6	19	30	50	10	42	70	110	54	20.5	290	3.2
GH-200-WH	700					12.6	19	30	50	10	42	70	60	79	20.5	240	3.2
GH-200-WLH	745		GH-FC-38412			12.6	19	30	50	10	42	70	110	79	20.5	290	3.2
GH-220-WH	790					12.6	19	30	50	10	42	70	60	79	20.5	240	3.2
GH-220-WLH	830					12.6	19	30	50	10	42	70	110	79	20.5	290	3.2

GH-20448



GH-20448



UNT:mm

