

# SLHD150

## 天井燈規格書



The content of this technical document is subject to change without notice. Please contact Scientech Materials for further information.

**Version: 0.6**

**Released Date: 2015/03/10**

All rights are strictly reserved. Any portion of this document shall not be reproduced, copied, or transformed to any other forms without prior permission from Scientech Materials.

## 1. 產品特性 / Features

---

- Low power consumption and high efficacy.
- Excellent thermal dissipation structure.
- Lower weight for aloft installation.
- High color rendering index.
- RoHS compatible
- Supported Bluetooth BLE automatic dimming control (Optional)

## 2. 使用場地 / Applications

---

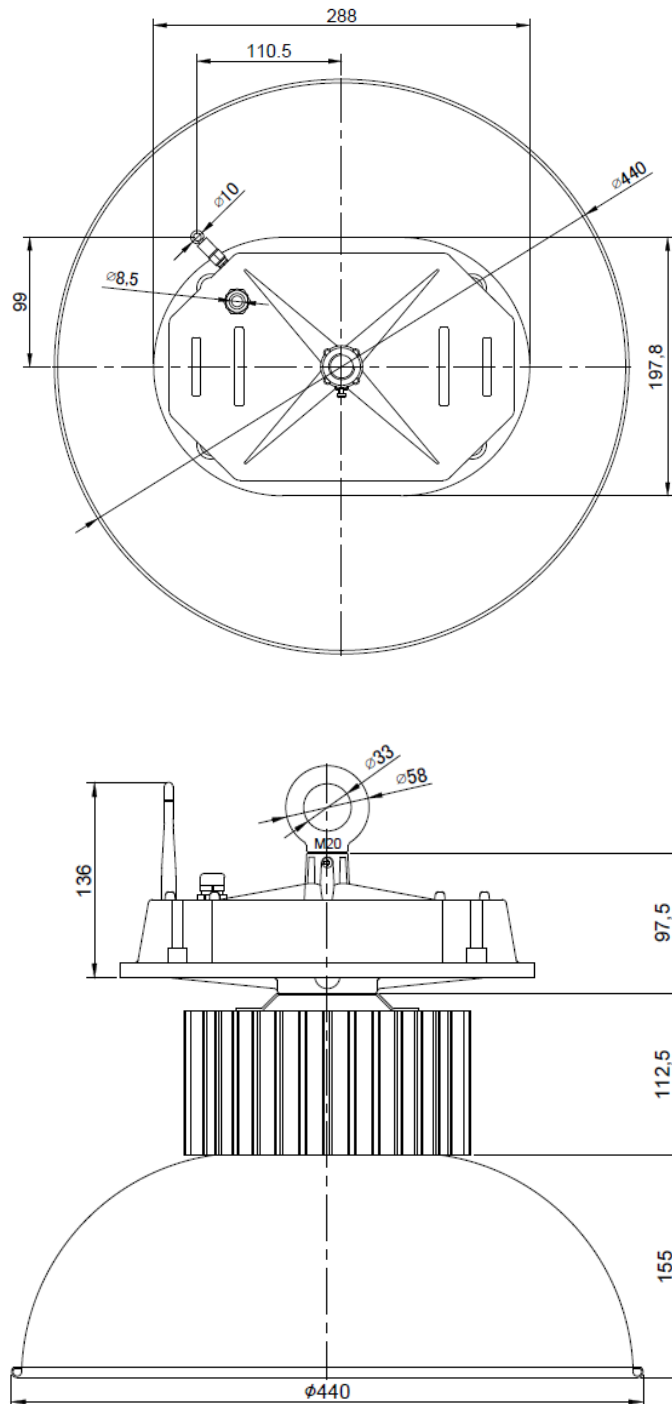
- Warehouse
- Factories
- Indoor stadium



### 3. 規格參數 / Technical data

電氣規格 / Electrical Specification	
輸入電壓 / Input Voltage	AC 100 – 240V
功率 / Power	150W ± 10%
功率因數 / Power Factor	> 0.9
功率效率 / Power Efficiency	> 90%
Optical Specification	
光通量 / Total Lumen (typical @ CRI 80)	5700K : 15000 Lm
效率等級 / Energy Efficiency Index	A+
光效率 / Efficacy (Lm/W)	100 Lm/w
色溫 / Color Temperature (CCT)	5700K ± 300K
演色性 / Color Rendering Index (CRI)	>80 / >70
啟動時間 / Startup Time	< 500 ms
儲存環境溫度 / Storage Temperature	83° ± 2°
使用環境溫度 / Operation Temperature	-40°C~80°C
保固期 / Warranty	-10°C~50°C
認證 / Certification	2 years
效率等級 / Energy Efficiency Index	CE / UL / PSE / BSMI

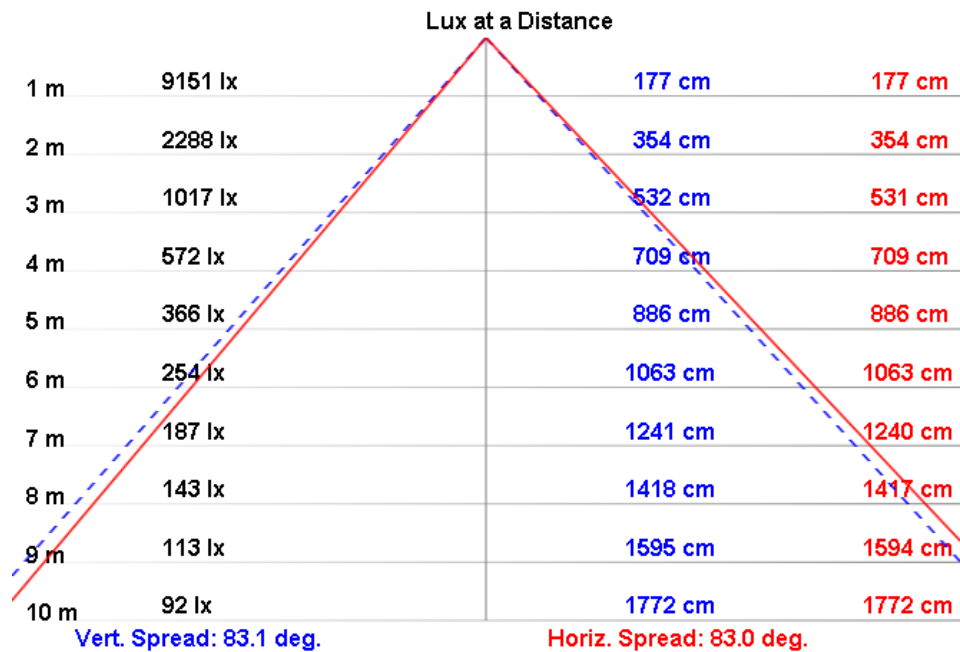
## 4. 產品尺寸規格 / Product outline



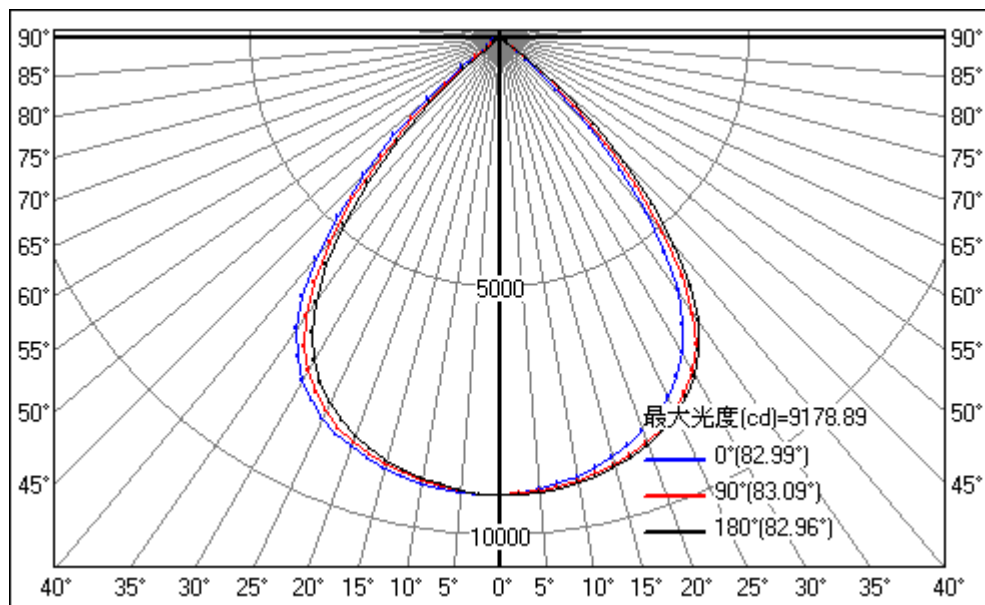
Product weight: 5400g

## 5. 光學特性 / Optical characteristics

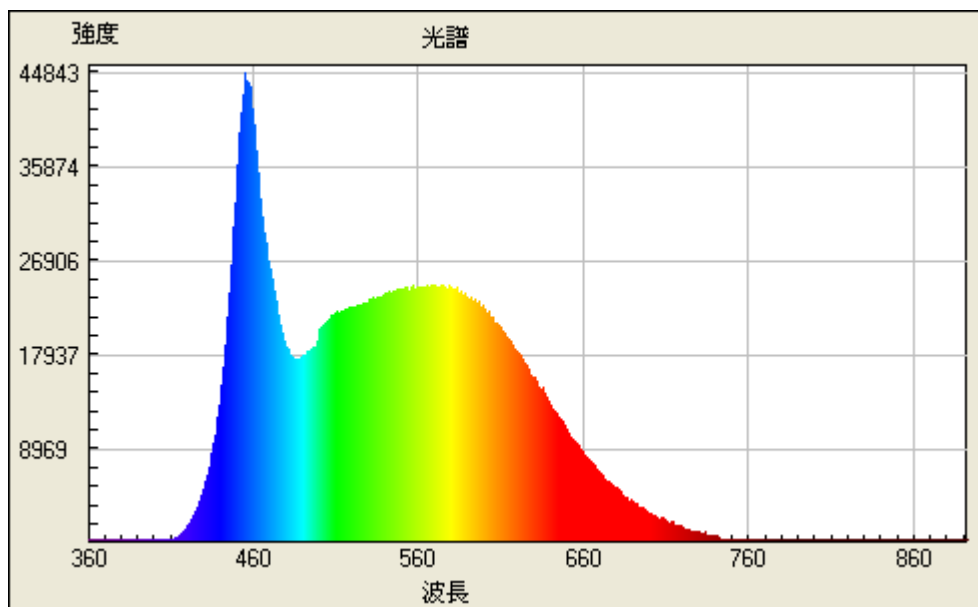
### 5.1 照度分布圖 / Lux/Distance Chart (5700K)



### 5.2 配光曲線 / Polar diagram



### 5.3 光譜圖 / Spectral Distribution (5700K)



## 6. 產品型號 / Ordering information

Model	Power	CCT	Lumen	CRI	Efficacy	Angle
SLHD150-1131	150W	5700K	15000lm	>80	100lm/W	90°

普晶材料股份有限公司  
中壢市中壢工業區合江二路七號  
TEL : 03-4357850  
FAX : 03-435785



## 連絡方式 / Contact Scientech Materials:

### ***Headquarters***

普晶材料股份有限公司  
中壢市中壢工業區合江二路七號  
TEL : 03-4357850  
FAX : 03-435785  
Website: <http://www.scientech-m.com/>

### ***Sales Services***

E-mail: [sales@Scientech-m.com](mailto:sales@Scientech-m.com)