

S.B. *rod end*

唐立軸承企業股份有限公司

STRUENING BEARINGS CO., LTD.

Rod End & Spherical Bearings

桿端軸承 · 球面軸承



Introduction

Our company was established in 1989, mainly in manufacturing rod end and spherical bearings. The firm plays as a leading role on bearing manufacture technologies in Taiwan, and specializes in rod end bearings, spherical bearings, link ball bearings and rod end linkages. We not only have automatized production, precise assembly, stable and high quality products, but also provide competitive price and on time delivery service.

Research and Development Ability

Our core competence is Research and Development. R&D ability has been applied to manufacture various products. Our goals of expanding mainly focus on the connecting engineering, rod end linking solutions to industrial usages and commercial consumers, and helping clients to solve the difficulties in joint connecting.

Precisely Manufacturing Processes

- Auto-feed and auto-cutting CNC/ NC lathes
- Precise CNC/ NC grinding machines
- High performance hydraulic presses
- Precise assembling molds

3Q System - Quality Assurances

Our company has qualified the ISO 9001:2000 certificate since 2006. Meanwhile, our Quality Assurance system is the fundamental basis. This consists of three main parts:

- Assurance of Design Quality (ADQ)
- Assurance of Manufacturing Quality (AMQ)
- Assurance of Customer Quality (ACQ)

This system continuously reviews design and manufacturing quality of our products and services. ADQ emphasizes on function and performance review; AMQ includes strength and durability test, and ACQ is centered on technical supports and satisfactions.



目 錄 / CONTENTS

● 桿端軸承 / ROD END BEARINGS

1. PHS Series	Female Type	p1
2. POS Series	Male Type	p2
3. NHS Series	Female Type	p3
4. NOS Series	Male Type	p4
5. MHS Series	Female Type	p5
6. MOS Series	Male Type	p6
7. SI_E Series	Female Type	p7
8. SA_E Series	Male Type	p8
9. SI_T Series	Female Type	p9
10. SA_T Series	Male Type	p10

● 不銹鋼桿端軸承 / STAINLESS STEEL ROD END BEARINGS

11. LF Series	Female Type	p11
12. LM Series	Male Type	p12

● 重力耐磨型桿端軸承 / HEAVY LOAD ROD END BEARINGS

13. HKF Series	Female Type	p13
14. HKM Series	Male Type	p14

● 鋁合金桿端軸承 / ALLUMINUM ROD END BEARINGS

15. AXF Series	Female Type	p15
16. AXM Series	Male Type	p16

● 球面軸承 / SPHERICAL BEARINGS

17. PB Series / PBN Series		p17
18. PC Series		p18
19. GE Series		p19
20. GE_C Series		p20

● 和尚頭軸承 / LINK BALL BEARINGS

21. RBL Series		p21
22. BI Series		p22
23. BL Series		p23
24. YL Series		p24

● 特殊規格客製品 / OEM PRODUCTS p25,p26

ROD END BEARING

PHS Series

Female Type

嵌入組合型

特殊結構設計，附黃油咀，更堅實耐用。

材質

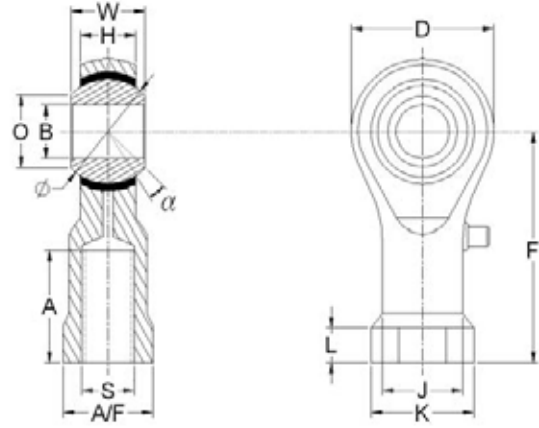
- 主 體: 中碳鋼S35C，鍛造，表面鍍鋅(Cr3+)。
- 鋼 珠: 鉻鉬軸承鋼SUJ-2，熱處理 HRC 58 \pm 2，表面鍍硬鉻。
- 外 框: 合金黃銅。

Grease Fitting Type

An unique race structure design, Low clearance, with grease nipple, Well durable performance.

MATERIALS

- **BODY:** Medium Carbon Steel S35C, Forged, Zinc Coated(Cr3+)
- **BALL:** Bearing Steel SUJ-2, Heat Treated HRC 58 \pm 2, Hard Chrome Plated
- **RACE:** Copper Alloy



公制尺寸 / DIMENSIONS IN METRIC * \pm 0.5~1.0 mm

型號 Model No.	B	W	O	H	D	F	A	J	K	L	A/F	Thread	旋角 α	球徑 Ball Dia. \varnothing	徑向荷重 Radial S. load (kgf)	重量 Weight (g)
PHS 5 R/L	5	8	7.7	6	17	27	12	9	11	4	9	5x0.8	13	11.11	560	18
PHS 6 R/L	6	9	8.9	6.7	19	30	14	10	13	5	11	6x1.0	13	12.70	690	27
PHS 8 R/L PHS 8 RF/LF	8	12	10.4	9	23.5	36	17	13	16	5	14	8x1.25 8x1.0	13	15.88	980	46
PHS 10 R/L PHS 10 RF/LF	10	14	12.9	10.5	27	43	21	15	19	7	17	10x1.5 10x1.25	13	19.05	1,320	78
PHS 12 R/L PHS 12 RF/LF	12	16	15.4	12	32	50	24	18	22	7	19	12x1.75 12x1.25	13	22.23	1,670	115
PHS 14 R/L PHS 14 RF/LF	14	19	16.8	14	36	57	27	20	25	8	21	14x2.0 14x1.5	15	25.40	2,060	170
PHS 16 R/L PHS 16 RF/LF	16	21	19.3	15	39	64	33	22	27	8	22	16x2.0 16x1.5	15	28.58	2,500	230
PHS 18 R/L	18	23	21.8	17	44	71	36	25	31	10	27	18x1.5	15	31.75	2,940	320
PHS 20 R/L	20	25	24.3	18	47	77	40	28	34	10	30	20x1.5	15	34.93	3,430	420

* PHS 22, PHS 25, PHS 30 以上尺寸請參考NHS 22, NHS 25, NHS 30 系列(p.3)及HKF 22, HKF 25, HKF 30 系列(p.13)

* The size of PHS 22, PHS 25, PHS 30, please refer NHS 22, NHS 25, NHS 30 (p.3) and HKF 22, HKF 25, HKF 30 (p.13).

英制尺寸 / DIMENSIONS IN INCHES * \pm 0.02~0.04 inches

型號 Model No.	B	W	O	H	D	F	A	J	K	L	A/F	Thread	旋角 α	球徑 Ball Dia. \varnothing	徑向荷重 Radial S. load (Lbs)	重量 Weight (Lbs)
PHS 1/4 R/L	0.2500	0.354	0.350	0.264	0.748	1.181	0.551	0.394	0.512	0.197	0.433	UNF 1/4-28	13	0.500	1,520	0.06
PHS 5/16 R/L	0.3125	0.472	0.409	0.354	0.925	1.417	0.669	0.512	0.630	0.197	0.551	UNF 5/16-24	13	0.625	2,160	0.10
PHS 3/8 R/L	0.3750	0.551	0.508	0.433	1.063	1.693	0.827	0.590	0.748	0.256	0.669	UNF 3/8-24	13	0.750	2,910	0.17
PHS 7/16 R/L	0.4375	0.551	0.508	0.433	1.063	1.693	0.827	0.590	0.748	0.256	0.669	UNF 7/16-20	13	0.750	2,910	0.17
PHS 1/2 R/L	0.5000	0.630	0.606	0.472	1.260	1.969	0.945	0.709	0.866	0.256	0.748	UNF 1/2-20	13	0.875	3,680	0.25
PHS 5/8 R/L	0.6250	0.827	0.760	0.590	1.535	2.520	1.299	0.866	1.063	0.315	0.866	UNF 5/8-18	15	1.125	5,510	0.51
PHS 3/4 R/L	0.7500	0.906	0.858	0.669	1.732	2.795	1.417	0.984	1.220	0.394	1.063	UNF 3/4-16	15	1.250	7,560	0.70

* PHS 1" 尺寸請參考NHS系列(p.3)及HKF系列(p.13)

* The PHS 1", please refer NHS 1" (p.3) and HKF 1" (p.13).

ROD END BEARING

POS Series

Male Type

嵌入組成型

特殊結構設計，附黃油咀，更堅實耐用。

材質

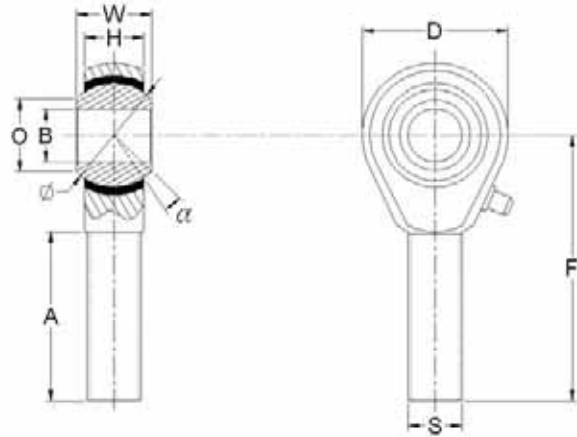
- 主體: 中碳鋼S35C，鍛造，表面鍍鋅(Cr3+)。
- 鋼珠: 鉻鉬軸承鋼SUJ-2，熱處理 HRC 58 \pm 2，表面鍍硬鉻。
- 外框: 合金黃銅。

Grease Fitting Type

An unique race structure design, Low clearance, with grease nipple, Well durable performance.

MATERIALS

- **BODY:**Medium Carbon Steel S35C, Forged, Zinc Coated(Cr3+)
- **BALL:**Bearing Steel SUJ-2, Heat Treated HRC 58 \pm 2,Hard Chrome Plated
- **RACE:**Copper Alloy



公制尺寸 / DIMENSIONS IN METRIC * \pm 0.5~1.0 mm

型號 Model No.	B	W	O	H	D	F	A	Thread	旋角 α	球徑 Ball Dia. \varnothing	徑向荷重 Radial S. load (kgf)	重量 Weight (g)
POS 5 R/L	5	8	7.7	6	17	33	20	5x0.8	13	11.11	340	14
POS 6 R/L	6	9	8.9	6.7	19	36	22	6x1.0	13	12.70	480	21
POS 8 R/L POS 8 RF/LF	8	12	10.4	9	23.5	42	25	8x1.25 8x1.0	13	15.88	680	34
POS 10 R/L POS 10 RF/LF	10	14	12.9	10.5	27	48	29	10x1.5 10x1.25	13	19.05	1,070	58
POS 12 R/L POS 12 RF/LF	12	16	15.4	12	32	54	33	12x1.75 12x1.25	13	22.23	1,650	92
POS 14 R/L POS 14 RF/LF	14	19	16.8	14	36	60	36	14x2.0 14x1.5	15	25.40	2,040	135
POS 16 R/L POS 16 RF/LF	16	21	19.3	15	39	66	40	16x2.0 16x1.5	15	28.58	2,470	205
POS 18 R/L	18	23	21.8	17	44	72	44	18x1.5	15	31.75	2,910	285
POS 20 R/L	20	25	24.3	18	47	78	47	20x1.5	15	34.93	3,390	370

* POS 22, POS 25, POS 30 以上尺寸請參考NOS 22, NOS 25, NOS 30 系列(p.3)及HKM 22, HKM 25, HKM 30 系列(p.13)

* The POS 22, POS 25, POS 30, please refer NOS 22, NOS 25, NOS 30 (p.3) and HKM 22, HKM 25, HKM 30 (p.13).

英制尺寸 / DIMENSIONS IN INCHES * \pm 0.02~0.04 inches

型號 Model No.	B	W	O	H	D	F	A	Thread	旋角 α	球徑 Ball Dia. \varnothing	徑向荷重 Radial S. load (Lbs)	重量 Weight (Lbs)
POS 1/4 R/L	0.2500	0.354	0.350	0.264	0.748	1.417	0.875	UNF 1/4-28	13	0.500	1,060	0.05
POS 5/16 R/L	0.3125	0.472	0.409	0.354	0.925	1.654	1.000	UNF 5/16-24	13	0.625	1,500	0.08
POS 3/8 R/L	0.3750	0.551	0.508	0.433	1.063	1.890	1.181	UNF 3/8-24	13	0.750	2,360	0.13
POS 7/16 R/L	0.4375	0.551	0.508	0.433	1.063	1.890	1.181	UNF 7/16-20	13	0.750	2,360	0.13
POS 1/2 R/L	0.5000	0.630	0.606	0.472	1.260	2.126	1.300	UNF 1/2-20	13	0.875	3,640	0.20
POS 5/8 R/L	0.6250	0.827	0.760	0.590	1.535	2.598	1.575	UNF 5/8-18	15	1.125	5,450	0.25
POS 3/4 R/L	0.7500	0.906	0.858	0.669	1.732	2.835	1.732	UNF 3/4-16	15	1.250	7,470	0.63

* POS 1" 以上尺寸請參考NOS 1"(p.3)及HKM 1"(p.13)

* The size over POS 1", please refer NOS 1" (p.3) and HKM 1" (p.13).

ROD END BEARING

NHS Series

Female Type

鐵氟龍耐磨型

採用超耐磨襯套材料(PTFE)，免給油耐磨設計，精密無間隙，必須微調間距之場所最合適。

材質

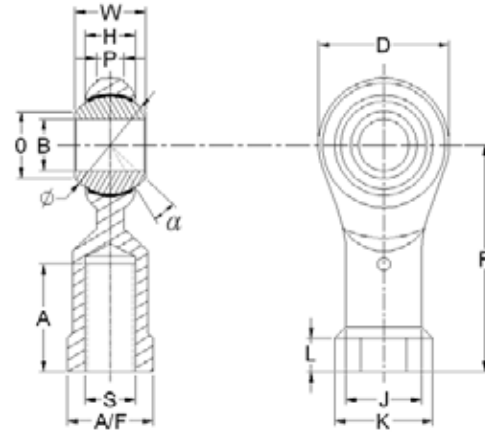
- **主體**：中碳鋼S35C，鍛造，表面鍍鋅(Cr3+)。
- **鋼珠**：鉻鉬軸承鋼SUJ-2，熱處理 HRC 58 \pm 2，表面鍍硬鉻。
- **襯墊**：鐵氟龍銅網(PTFE)-柔軟堅韌銅網和氟樹脂特別塗佈而組成。

SELF-LUBRICATING TYPE

Highly wear-resisting PTFE liner. Well made with low clearance. Suitable for precision applications.

MATERIALS

- **BODY**:Medium Carbon Steel S35C, Forged, Zinc Coated(Cr3+)
- **BALL**:Bearing Steel SUJ-2, Heat Treated HRC 58 \pm 2, Hard Chrome Plated
- **LINER**:PTFE-Strong & flexible bronze mesh spread with fluorine resin



公制尺寸 / DIMENSIONS IN METRIC * \pm 0.5~1.0 mm

型號 Model No.	B	W	O	H	D	F	A	J	K	L	P	A/F	Thread	旋角 α	球徑 Ball Dia. \varnothing	徑向荷重 Radial S. load (kgf)	重量 Weight (g)
	H7	+0 -0.1	*	+0 -0.1	*	*	+2 -0	*	*	*	*	+0 -0.2	S				
NHS 4 R/L	4	7	7.6	5.3	14	24	12	8	9.5	4	3	8	4x0.7	13	10.32	220	10
NHS 5 R/L	5	8	7.7	5.5	17	27	12	9	11	4	3	9	5x0.8	13	11.11	390	16
NHS 6 R/L	6	9	8.9	6	19	30	14	10	13	5	3.3	11	6x1.0	13	12.70	500	24
NHS 8 R/L NHS 8 RF/LF	8	12	10.4	8	23.5	36	17	13	16	5	4.5	14	8x1.25 8x1.0	13	15.88	740	41
NHS 10 R/L NHS 10 RF/LF	10	14	12.9	10	27	43	21	15	19	7	5.5	17	10x1.5 10x1.25	13	19.05	940	70
NHS 12 R/L NHS 12 RF/LF	12	16	15.4	11	32	50	24	18	22	7	6	19	12x1.75 12x1.25	13	22.23	1,100	104
NHS 14 R/L NHS 14 RF/LF	14	19	16.8	12	36	57	27	20	25	8	7	21	14x2.0 14x1.5	15	25.40	1,520	158
NHS 16 R/L NHS 16 RF/LF	16	21	19.3	13	39	64	33	22	27	8	7.5	22	16x2.0 16x1.5	15	28.58	2,020	200
NHS 18 R/L	18	23	21.8	15	44	71	36	25	31	10	8.5	27	18x1.5	15	31.75	2,520	288
NHS 20 R/L	20	25	24.3	16	47	77	40	28	34	10	9	30	20x1.5	15	34.93	2,780	372
NHS 22 R/L	22	28	25.9	18	50	84	43	30	37	12	10	32	22x1.5	15	38.10	3,590	475
NHS 25 R/L	25	31	29.6	20	56	94	48	34	42	12	12	36	24x2.0	15	42.85	5,430	680
NHS 30 R/L	30	37	34.8	24	67	110	56	40	50	15	15	41	30x2.0	15	50.80	6,910	1,020

英制尺寸 / DIMENSIONS IN INCHES * \pm 0.02~0.04 inches

型號 Model No.	B	W	O	H	D	F	A	J	K	L	P	A/F	Thread	旋角 α	球徑 Ball Dia. \varnothing	徑向荷重 Radial S. load (Lbs)	重量 Weight (Lbs)
	H7	+0 -0.004	*	+0 -0.004	*	*	+0.080 -0	*	*	*	*	+0 -0.080	S				
NHS 1/4 R/L	0.2500	0.354	0.350	0.236	0.748	1.181	0.551	0.394	0.512	0.197	0.130	0.433	UNF1/4-28	13	0.500	1,100	0.05
NHS 5/16 R/L	0.3125	0.472	0.409	0.315	0.925	1.417	0.669	0.512	0.630	0.197	0.177	0.551	UNF 5/16-24	13	0.625	1,630	0.09
NHS 3/8 R/L	0.3750	0.551	0.508	0.394	1.063	1.693	0.827	0.591	0.748	0.276	0.217	0.669	UNF 3/8-24	13	0.750	2,070	0.15
NHS 7/16 R/L	0.4375	0.551	0.508	0.394	1.063	1.693	0.827	0.591	0.748	0.276	0.217	0.669	UNF 7/16-20	13	0.750	2,070	0.15
NHS 1/2 R/L	0.5000	0.630	0.606	0.433	1.260	1.969	0.945	0.709	0.866	0.276	0.236	0.748	UNF 1/2-20	13	0.875	2,430	0.23
NHS 5/8 R/L	0.6250	0.827	0.760	0.512	1.535	2.520	1.299	0.866	1.063	0.315	0.295	0.866	UNF 5/8-18	15	1.125	4,450	0.44
NHS 3/4 R/L	0.7500	0.906	0.858	0.591	1.732	2.795	1.417	0.984	1.220	0.394	0.335	1.063	UNF 3/4-16	15	1.250	6,130	0.63
NHS 1 R/L	1	1.220	1.165	0.787	2.205	3.701	1.890	1.339	1.654	0.472	0.472	1.417	UNF 1-12	15	1.687	11,970	1.50

ROD END BEARING

NOS Series

Male Type

鐵氟龍耐磨型

採用超耐磨襯套材料(PTFE)，免給油耐磨設計，精密無間隙，必須微調間距之場所最合適。

材質

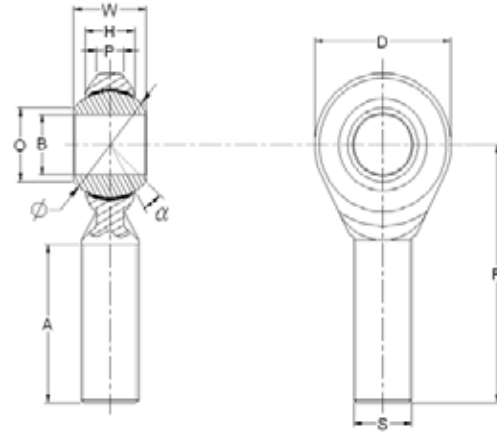
- 主體：中碳鋼S35C，鍛造，表面鍍鋅(Cr3+)。
- 鋼珠：鉻鉬軸承鋼SUJ-2，熱處理 HRC 58 \pm 2，表面鍍硬鉻。
- 襯墊：鐵氟龍銅網(PTFE)-柔軟堅韌銅網和氟樹脂特別塗佈而組成。

SELF-LUBRICATING TYPE

Highly wear-resisting PTFE liner. Well made with low clearance. Suitable for precision applications.

MATERIALS

- **BODY**: Medium Carbon Steel S35C, Forged, Zinc Coated(Cr3+)
- **BALL**: Bearing Steel SUJ-2, Heat Treated HRC 58 \pm 2, Hard Chrome Plated
- **LINER**: PTFE-Strong & flexible bronze mesh spread with fluorine resin



公制尺寸 / DIMENSIONS IN METRIC * \pm 0.5~1.0 mm

型號 Model No.	B	W	O	H	D	F	A	P	Thread	旋角 α	球徑 Ball Dia. ϕ	徑向荷重 Radial S. load (kgf)	重量 Weight (g)
	H7	+0 -0.1	*	+0 -0.1	*	*	+2 -0	*	S				
NOS 4 R/L	4	7	7.6	5.3	14	30	17	3	4x0.7	13	10.32	220	7
NOS 5 R/L	5	8	7.7	5.5	17	33	20	3	5x0.8	13	11.11	340	13
NOS 6 R/L	6	9	8.9	6	19	36	22	3.3	6x1.0	13	12.70	490	17
NOS 8 R/L NOS 8 RF/LF	8	12	10.4	8	23.5	42	25	4.5	8x1.25 8x1.0	13	15.88	690	33
NOS 10 R/L NOS 10 RF/LF	10	14	12.9	10	27	48	29	5.5	10x1.5 10x1.25	13	19.05	940	54
NOS 12 R/L NOS 12 RF/LF	12	16	15.4	11	32	54	33	6	12x1.75 12x1.25	13	22.23	1,100	85
NOS 14 R/L NOS 14 RF/LF	14	19	16.8	12	36	60	36	7	14x2.0 14x1.5	15	25.40	1,520	129
NOS 16 R/L NOS 16 RF/LF	16	21	19.3	13	39	66	40	7.5	16x2.0 16x1.5	15	28.58	2,020	181
NOS 18 R/L	18	23	21.8	15	44	72	44	8.5	18x1.5	15	31.75	2,520	250
NOS 20 R/L	20	25	24.3	16	47	78	47	9	20x1.5	15	34.93	2,780	333
NOS 22 R/L	22	28	25.9	18	50	84	51	10	22x1.5	15	38.10	3,590	430
NOS 25 R/L	25	31	29.6	20	56	94	57	12	24x2.0	15	42.85	5,430	610
NOS 30 R/L	30	37	34.8	24	67	110	66	15	30x2.0	15	50.80	6,910	990

英制尺寸 / DIMENSIONS IN INCHES * \pm 0.02~0.04 inches

型號 Model No.	B	W	O	H	D	F	A	P	Thread	旋角 α	球徑 Ball Dia. ϕ	徑向荷重 Radial S. load (Lbs)	重量 Weight (Lbs)
	H7	+0 -0.004	*	+0 -0.004	*	*	+0.080 -0	*	S				
NOS 1/4 R/L	0.2500	0.354	0.350	0.236	0.748	1.417	0.875	0.130	UNF 1/4-28	13	0.500	1,080	0.04
NOS 5/16 R/L	0.3125	0.472	0.409	0.315	0.925	1.654	1.000	0.177	UNF 5/16-24	13	0.625	1,520	0.07
NOS 3/8 R/L	0.3750	0.551	0.508	0.394	1.063	1.890	1.181	0.217	UNF 3/8-24	13	0.750	2,070	0.12
NOS 7/16 R/L	0.4375	0.551	0.508	0.394	1.063	1.890	1.181	0.217	UNF 7/16-20	13	0.750	2,070	0.12
NOS 1/2 R/L	0.5000	0.630	0.606	0.433	1.260	2.126	1.300	0.236	UNF 1/2-20	13	0.875	2,430	0.19
NOS 5/8 R/L	0.6250	0.827	0.760	0.512	1.535	2.598	1.575	0.295	UNF 5/8-18	15	1.125	4,450	0.4
NOS 3/4 R/L	0.7500	0.906	0.858	0.590	1.732	2.835	1.732	0.335	UNF 3/4-16	15	1.250	6,130	0.55
NOS 1 R/L	1	1.220	1.165	0.787	2.205	3.700	2.244	0.472	UNF 1-12	15	1.687	11,970	1.34

ROD END BEARING

MHS Series

Female Type

射出密合型

特殊超耐磨複合材料襯套，自潤圓滑，免給油，長時間運轉不易磨損，使用壽命更長。

材質

- **主體**：中碳鋼S35C，鍛造，表面鍍鋅(Cr3+)。
- **鋼珠**：鉻鉬軸承鋼SUJ-2，熱處理 HRC 58°±2，表面鍍硬鉻。
- **襯墊**：特殊耐磨尼龍複合材料。

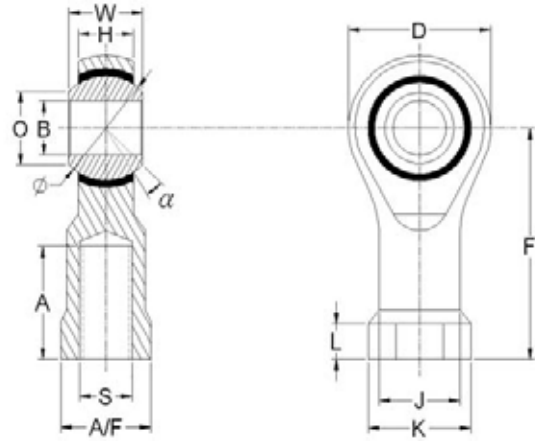


SELF-LUBRICATING TYPE

The special liner material which makes good lubricating performance, decreases abrasion and extends lifespan

MATERIALS

- **BODY**: Medium Carbon Steel S35C, Forged, Zinc Coated(Cr3+)
- **BALL**: Bearing Steel SUJ-2, Heat Treated HRC 58°±2, Hard Chrome Plated
- **LINER**: Special Reinforce Nylon Material



公制尺寸 / DIMENSIONS IN METRIC *±0.5~1.0 mm

型號 Model No.	B H7	W +0 -0.1	O *	H +0 -0.1	D *	F *	A +2 -0	J *	K *	L *	A/F +0 -0.2	Thread S	旋角 α	球徑 Ball Dia. Ø	徑向荷重 Radial S. load (kgf)	重量 Weight (g)
MHS 5 R/L	5	8	7.7	6	17	27	12	9	11	4	9	5x0.8	13	11.11	560	18
MHS 6 R/L	6	9	8.9	6.7	19	30	14	10	13	5	11	6x1.0	13	12.70	690	27
MHS 8 R/L MHS 8 RF/LF	8	12	10.4	9	23.5	36	17	13	16	5	14	8x1.25 8x1.0	13	15.88	980	46
MHS 10 R/L MHS 10 RF/LF	10	14	12.9	10.5	27	43	21	15	19	7	17	10x1.5 10x1.25	13	19.05	1,320	78
MHS 12 R/L MHS 12 RF/LF	12	16	15.4	12	32	50	24	18	22	7	19	12x1.75 12x1.25	13	22.23	1,670	115
MHS 14 R/L MHS 14 RF/LF	14	19	16.8	14	36	57	27	20	25	8	21	14x2.0 14x1.5	15	25.40	2,060	170
MHS 16 R/L MHS 16 RF/LF	16	21	19.3	15	39	64	33	22	27	8	22	16x2.0 16x1.5	15	28.58	2,500	230
MHS 18 R/L	18	23	21.8	17	44	71	36	25	31	10	27	18x1.5	15	31.75	2,940	320
MHS 20 R/L	20	25	24.3	18	47	77	40	28	34	10	30	20x1.5	15	34.93	3,430	420

英制尺寸 / DIMENSIONS IN INCHES *±0.02~0.04 inches

型號 Model No.	B H7	W +0 -0.004	O *	H +0 -0.004	D *	F *	A +0.080 -0	J *	K *	L *	A/F +0 -0.080	Thread S	旋角 α	球徑 Ball Dia. Ø	徑向荷重 Radial S. load (Lbs)	重量 Weight (Lbs)
MHS 1/4 R/L	0.2500	0.354	0.350	0.264	0.748	1.181	0.551	0.394	0.512	0.197	0.433	UNF 1/4-28	13	0.500	1,520	0.06
MHS 5/16 R/L	0.3125	0.472	0.409	0.354	0.925	1.417	0.669	0.512	0.630	0.197	0.551	UNF 5/16-24	13	0.625	2,160	0.10
MHS 3/8 R/L	0.3750	0.551	0.508	0.413	1.063	1.693	0.827	0.590	0.748	0.256	0.669	UNF 3/8-24	13	0.750	2,910	0.17
MHS 7/16 R/L	0.4375	0.551	0.508	0.413	1.063	1.693	0.827	0.590	0.748	0.256	0.669	UNF 7/16-20	13	0.750	2,910	0.17
MHS 1/2 R/L	0.5000	0.630	0.606	0.472	1.260	1.969	0.945	0.709	0.866	0.256	0.748	UNF 1/2-20	13	0.875	3,680	0.25
MHS 5/8 R/L	0.6250	0.827	0.760	0.590	1.535	2.520	1.299	0.866	1.063	0.315	0.866	UNF 5/8-18	15	1.125	5,510	0.51
MHS 3/4 R/L	0.7500	0.906	0.858	0.669	1.732	2.795	1.417	0.984	1.220	0.394	1.063	UNF 3/4-16	15	1.250	7,560	0.70

ROD END BEARING

MOS Series

Male Type

射出密合型

特殊超耐磨複合材料襯套，自潤圓滑，免給油，長時間運轉不易磨損，使用壽命更長。

材質

- 主體：中碳鋼S35C，鍛造，表面鍍鋅(Cr3+)。
- 鋼珠：鉻鉬軸承鋼SUJ-2，熱處理 HRC 58 \pm 2，表面鍍硬鉻。
- 襯墊：特殊耐磨尼龍複合材料。

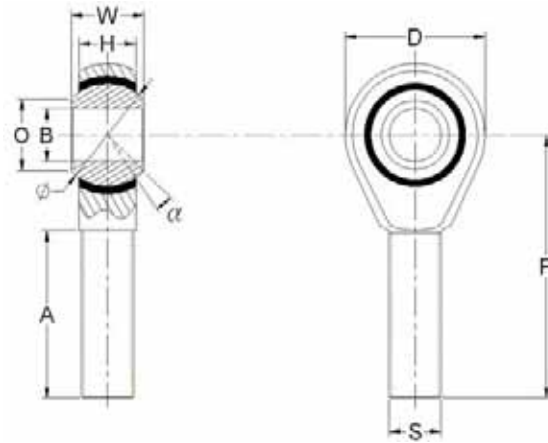


SELF-LUBRICATING TYPE

The special liner material which makes good lubricating performance, decreases abrasion and extends lifespan

MATERIALS

- **BODY**: Medium Carbon Steel S35C, Forged, Zinc Coated(Cr3+)
- **BALL**: Bearing Steel SUJ-2, Heat Treated HRC 58 \pm 2, Hard Chrome Plated
- **LINER**: Special Reinforce Nylon Material



公制尺寸 / DIMENSIONS IN METRIC * \pm 0.5~1.0 mm

型號 Model No.	B	W	O	H	D	F	A	Thread	旋角 α	球徑 Ball Dia. \varnothing	徑向荷重 Radial S. load (kgf)	重量 Weight (g)
MOS 5 R/L	5	8	7.7	6	17	33	20	5x0.8	13	11.11	340	14
MOS 6 R/L	6	9	8.9	6.7	19	36	22	6x1.0	13	12.70	480	21
MOS 8 R/L MOS 8 RF/LF	8	12	10.4	9	23.5	42	25	8x1.25 8x1.0	13	15.88	680	34
MOS 10 R/L MOS 10 RF/LF	10	14	12.9	10.5	27	48	29	10x1.5 10x1.25	13	19.05	1,070	58
MOS 12 R/L MOS 12 RF/LF	12	16	15.4	12	32	54	33	12x1.75 12x1.25	13	22.23	1,650	92
MOS 14 R/L MOS 14 RF/LF	14	19	16.8	14	36	60	36	14x2.0 14x1.5	15	25.40	2,040	135
MOS 16 R/L MOS 16 RF/LF	16	21	19.3	15	39	66	40	16x2.0 16x1.5	15	28.58	2,470	205
MOS 18 R/L	18	23	21.8	17	44	72	44	18x1.5	15	31.75	2,910	285
MOS 20 R/L	20	25	24.3	18	47	78	47	20x1.5	15	34.93	3,390	370

英制尺寸 / DIMENSIONS IN INCHES * \pm 0.02~0.04 inches

型號 Model No.	B	W	O	H	D	F	A	Thread	旋角 α	球徑 Ball Dia. \varnothing	徑向荷重 Radial S. load (Lbs)	重量 Weight (Lbs)
MOS 1/4 R/L	0.2500	0.354	0.350	0.264	0.748	1.417	0.875	UNF 1/4-28	13	0.500	1,060	0.05
MOS 5/16 R/L	0.3125	0.472	0.409	0.354	0.925	1.654	1.000	UNF 5/16-24	13	0.625	1,500	0.08
MOS 3/8 R/L	0.3750	0.551	0.508	0.413	1.063	1.890	1.181	UNF 3/8-24	13	0.750	2,360	0.13
MOS 7/16 R/L	0.4375	0.551	0.508	0.413	1.063	1.890	1.181	UNF 7/16-20	13	0.750	2,360	0.13
MOS 1/2 R/L	0.5000	0.630	0.606	0.472	1.260	2.126	1.300	UNF 1/2-20	13	0.875	3,640	0.20
MOS 5/8 R/L	0.6250	0.827	0.760	0.590	1.535	2.598	1.575	UNF 5/8-18	15	1.125	5,450	0.45
MOS 3/4 R/L	0.7500	0.906	0.858	0.669	1.732	2.835	1.732	UNF 3/4-16	15	1.250	7,470	0.63

ROD END BEARING

SI-E Series

Female Type

工程塑膠射出型

襯墊以杜邦100ST工程塑膠(P.O.M)射出填充，堅實耐高拉力；小寬幅，不佔空間。

材質

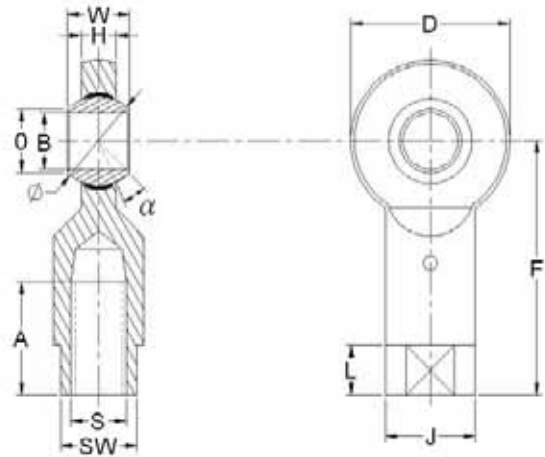
- 主體：中碳鋼S35C，鍛造，表面鍍鋅(Cr3+)。
- 鋼珠：鉻鉬軸承鋼SUJ-2，熱處理 HRC 58 \pm 2，表面鍍硬鉻。
- 襯墊：杜邦100ST P.O.M 工程塑膠。

SELF-LUBRICATING TYPE

High strength engineering plastic injected liner. Flat thickness of body.

MATERIALS

- **BODY:** Medium Carbon Steel S35C, Forged, Zinc Coated(Cr3+)
- **BALL:** Bearing Steel SUJ-2, Heat Treated HRC 58 \pm 2, Hard Chrome Plated
- **LINER:** Friction resistant P.O.M. (Dupont 100 ST)



公制尺寸 / DIMENSIONS IN METRIC * \pm 0.5~1.0 mm

型號 Model No.	B	W	O	H	D	F	A	J	L	SW	Thread	旋角 α	球徑 Ball Dia. \varnothing	徑向荷重 Radial S. load (kgf)	重量 Weight (g)
SI 6E ,SIL 6E	6	6	9	4	20	30	12	10	6	9	6x1.0	13	11.11	750	17
SI 8E ,SIL 8E SI 8EF ,SIL 8EF	8	8	10	5	23	36	16	13	7	11	8x1.25 8x1.0	15	12.70	1,180	31
SI 10E ,SIL 10E SI 10EF ,SIL 10EF	10	9	12	6	28	43	20	16	8	14	10x1.5 10x1.25	14	15.88	1,610	54
SI 12E ,SIL 12E SI 12EF ,SIL 12EF	12	10	15	7	32	50	22	19	8	17	12x1.75 12x1.25	10	18.00	2,250	86
SI 15ES ,SIL 15ES SI 15ESF ,SIL 15ESF	15	12	19	9	38	61	25	22	8	19	14x2.0 14x1.5	8	22.23	3,300	142
SI 17ES ,SIL 17ES SI 17ESF ,SIL 17ESF	17	14	21	10	44	67	28	25	8	22	16x2.0 16x1.5	10	25.40	4,130	208
SI 20ES ,SIL 20ES	20	16	25	12	51	77	33	28	10	24	20x1.5	8	28.58	5,500	290
SI 25ES ,SIL 25ES	25	20	31	16	62	94	42	35	12	30	24x2.0	7	36.50	7,610	573

英制尺寸 / DIMENSIONS IN INCHES * \pm 0.02~0.04 inches

型號 Model No.	B	W	O	H	D	F	A	J	L	SW	Thread	旋角 α	球徑 Ball Dia. \varnothing	徑向荷重 Radial S. load (Lbs)	重量 Weight (Lbs)
SI 1/4E ,SIL 1/4E	0.2500	0.236	0.354	0.158	0.787	1.181	0.472	0.394	0.236	0.354	UNF 1/4-28	13	0.438	1,650	0.04
SI 5/16E ,SIL 5/16E	0.3125	0.315	0.394	0.197	0.906	1.417	0.630	0.512	0.276	0.433	UNF 5/16-24	15	0.500	2,600	0.07
SI 3/8E ,SIL 3/8E	0.3750	0.354	0.472	0.236	1.102	1.693	0.787	0.630	0.315	0.551	UNF 3/8-24	14	0.625	3,550	0.12
SI 1/2E ,SIL 1/2E	0.5000	0.394	0.591	0.276	1.260	1.969	0.866	0.748	0.315	0.669	UNF 1/2-20	10	0.709	4,960	0.19
SI 5/8ES ,SIL 5/8ES	0.6250	0.551	0.827	0.394	1.732	2.638	1.102	0.984	0.315	0.866	UNF 5/8-18	10	1.000	9,100	0.46
SI 3/4ES ,SIL 3/4ES	0.7500	0.630	0.984	0.472	2.008	3.032	1.299	1.102	0.394	0.945	UNF 3/4-16	8	1.125	12,130	0.64

ROD END BEARING

SA-E Series

Male Type

工程塑膠射出型

襯墊以杜邦100ST工程塑膠(P.O.M)射出填充，堅實耐高拉力；小寬幅，不佔空間。

材質

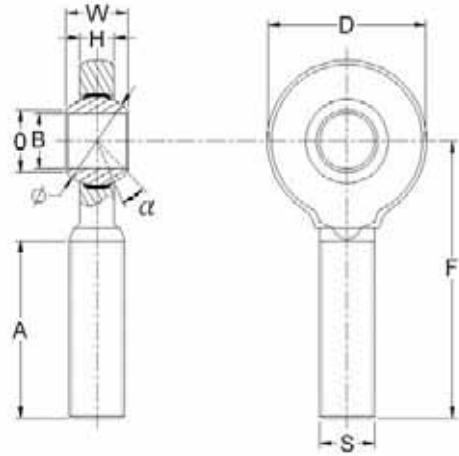
- 主體：中碳鋼S35C，鍛造，表面鍍鋅(Cr3+)。
- 鋼珠：鉻鉬軸承鋼SUJ-2，熱處理 HRC 58 \pm 2，表面鍍硬鉻。
- 襯墊：杜邦100ST P.O.M 工程塑膠。

SELF-LUBRICATING TYPE

High strength engineering plastic injected liner. Flat thickness of body.

MATERIALS

- **BODY:** Medium Carbon Steel S35C, Forged, Zinc Coated(Cr3+)
- **BALL:** Bearing Steel SUJ-2, Heat Treated HRC 58 \pm 2, Hard Chrome Plated
- **LINER:** Friction resistant P.O.M. (Dupont 100 ST)



公制尺寸 / DIMENSIONS IN METRIC * \pm 0.5~1.0 mm

型號 Model No.	B	W	O	H	D	F	A	Thread	旋角 α	球徑 Ball Dia. ϕ	徑向荷重 Radial S. load (kgf)	重量 Weight (g)
		+0 -0.1	*	+0 -0.1	*	*	+2 -0	S				
SA 6E ,SAL 6E	6	6	9	4	20	36	22	6x1.0	13	11.11	750	14
SA 8E ,SAL 8E SA 8EF ,SAL 8EF	8	8	10	5	23	42	25	8x1.25 8x1.0	15	12.70	1,180	24
SA 10E ,SAL 10E SA 10EF ,SAL 10EF	10	9	12	6	28	48	29	10x1.5 10x1.25	14	15.88	1,610	41
SA 12E ,SAL 12E SA 12EF ,SAL 12EF	12	10	15	7	32	54	33	12x1.75 12x1.25	10	18.00	2,250	67
SA 15ES ,SAL 15ES SA 15ESF ,SAL 15ESF	15	12	19	9	38	63	36	14x2.0 14x1.5	8	22.23	3,300	110
SA 17ES ,SAL 17ES SA 17ESF ,SAL 17ESF	17	14	21	10	44	69	40	16x2.0 16x1.5	10	25.40	4,130	163
SA 20ES ,SAL 20ES	20	16	25	12	51	78	47	20x1.5	8	28.58	5,500	270
SA 25ES ,SAL 25ES	25	20	31	16	62	94	57	24x2.0	7	36.50	7,610	508

英制尺寸 / DIMENSIONS IN INCHES * \pm 0.02~0.04 inches

型號 Model No.	B	W	O	H	D	F	A	Thread	旋角 α	球徑 Ball Dia. ϕ	徑向荷重 Radial S. load (Lbs)	重量 Weight (Lbs)
		+0 -0.004	*	+0 -0.004	*	*	+0.080 -0	S				
SA 1/4E ,SAL 1/4E	0.2500	0.236	0.354	0.158	0.787	1.417	0.866	UNF 1/4-28	13	0.438	1,650	0.03
SA 5/16E ,SAL 5/16E	0.3125	0.315	0.394	0.197	0.906	1.654	0.984	UNF 5/16-24	15	0.500	2,600	0.05
SA 3/8E ,SAL 3/8E	0.3750	0.354	0.472	0.236	1.102	1.890	1.142	UNF 3/8-24	14	0.625	3,550	0.09
SA 1/2E ,SAL 1/2E	0.5000	0.394	0.591	0.276	1.260	2.126	1.299	UNF 1/2-20	10	0.709	4,960	0.15
SA 5/8ES ,SAL 5/8ES	0.6250	0.551	0.827	0.394	1.732	2.717	1.575	UNF 5/8-18	10	1.000	9,100	0.36
SA 3/4ES ,SAL 3/4ES	0.7500	0.630	0.984	0.472	2.008	3.071	1.850	UNF 3/4-16	8	1.125	12,130	0.60

ROD END BEARING

SI-T Series

Female Type

簡易式、免給油、自潤型

鋼珠週邊無襯套，一般桿端均適用。

材 質

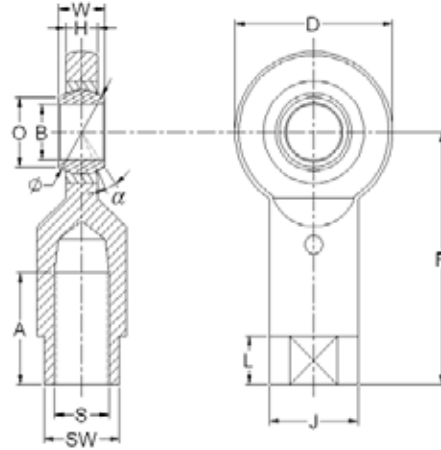
- 主 體：中碳鋼S35C，鍛造，表面鍍鋅(Cr3+)。
- 外框及鋼珠：鉻鉬軸承鋼SUJ-2，熱處理 HRC 58 \pm 2，表面磷酸錳皮膜處理。

SELF-LUBRICATING TYPE

Matel to matel economic type for general purpose.

MATERIALS

- **BODY**: Medium Carbon Steel S35C, Forged, Zinc Coated(Cr3+)
- **RACE & BALL**: Bearing Steel SUJ-2, Heat Treated HRC 58 \pm 2, Phosphatizing treatment



公 制 尺 寸 / DIMENSIONS IN METRIC * \pm 0.5~1.0 mm

型 號 Model No.	B	W +0 -0.1	O *	H +0 -0.1	D *	F *	A +2 -0	J *	L *	SW +0 -0.2	Thread S	旋角 α	球徑 Ball Dia. \varnothing	徑向荷重 Radial S. load (kgf)	重量 Weight (g)
SI 8T R/L SI 8T RF/LF	8	8	10	5	23	36	16	13	7	11	8x1.25 8x1.0	15	12.70	1,180	31
SI 10T R/L SI 10T RF/LF	10	9	12	6	28	43	20	16	8	14	10x1.5 10x1.25	14	15.88	1,610	54
SI 12T R/L SI 12T RF/LF	12	10	15	7	32	50	22	19	8	17	12x1.75 12x1.25	10	18.00	2,250	86
SI 15T R/L SI 15T RF/LF	15	12	19	9	38	61	25	22	8	19	14x2.0 14x1.5	8	22.23	3,300	142
SI 17T R/L SI 17T RF/LF	17	14	21	10	44	67	28	25	8	22	16x2.0 16x1.5	10	25.40	4,130	208
SI 20T R/L	20	16	25	12	51	77	33	28	10	24	20x1.5	8	28.58	5,500	290
SI 25T R/L	25	20	31	16	62	94	42	35	12	30	24x2.0	7	36.50	7,610	573

英 制 尺 寸 / DIMENSIONS IN INCHES * \pm 0.02~0.04 inches

型 號 Model No.	B	W +0 -0.004	O *	H +0 -0.004	D *	F *	A +0.080 -0	J *	L *	SW +0 -0.080	Thread S	旋角 α	球徑 Ball Dia. \varnothing	徑向荷重 Radial S. load (Lbs)	重量 Weight (Lbs)
SI 5/16T R/L	0.3125	0.315	0.394	0.197	0.906	1.417	0.630	0.512	0.276	0.433	UNF 5/16-24	15	0.500	2,600	3.40
SI 3/8T R/L	0.3750	0.354	0.472	0.236	1.102	1.693	0.787	0.630	0.315	0.551	UNF 3/8-24	14	0.625	3,550	4.56
SI 1/2T R/L	0.5000	0.394	0.591	0.276	1.260	1.969	0.866	0.748	0.315	0.669	UNF 1/2-20	10	0.709	4,960	5.78
SI 5/8T R/L	0.6250	0.551	0.827	0.394	1.732	2.638	1.102	0.984	0.315	0.866	UNF 5/8-18	10	1.000	9,100	8.64
SI 3/4T R/L	0.7500	0.630	0.984	0.472	2.008	3.032	1.299	1.102	0.394	0.945	UNF 3/4-16	8	1.125	12,130	11.90

ROD END BEARING

SA-T Series

Male Type

簡易式、免給油、自潤型

鋼珠週邊無襯套，一般桿端均適用。

材 質

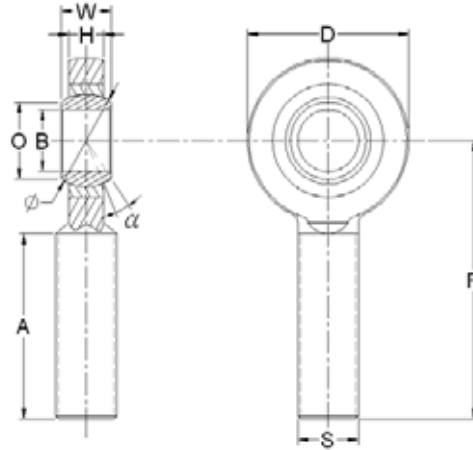
- 主 體：中碳鋼S35C，鍛造，表面鍍鋅(Cr3+)。
- 外框及鋼珠：鉻鉬軸承鋼SUJ-2，熱處理 HRC 58 \pm 2，表面磷酸鋅皮膜處理。

SELF-LUBRICATING TYPE

Matel to matel economic type for general purpose.

MATERIALS

- **BODY:** Medium Carbon Steel S35C, Forged, Zinc Coated(Cr3+)
- **RACE & BALL:** Bearing Steel SUJ-2, Heat Treated HRC 58 \pm 2, Phosphatizing treatment



公 制 尺 寸 / DIMENSIONS IN METRIC * \pm 0.5~1.0 mm

型 號 Model No.	B	W +0 -0.1	O *	H +0 -0.1	D *	F *	A +2 -0	Thread S	旋角 α	球徑 Ball Dia. \varnothing	徑向荷重 Radial S. load (kgf)	重量 Weight (g)
SA 8T R/L SA 8T RF/LF	8	8	10	5	23	42	25	8x1.25 8x1.0	15	12.70	1,180	24
SA 10T R/L SA 10T RF/LF	10	9	12	6	28	48	29	10x1.5 10x1.25	14	15.88	1,610	41
SA 12T R/L SA 12T RF/LF	12	10	15	7	32	54	33	12x1.75 12x1.25	10	18.00	2,250	67
SA 15T R/L SA 15T RF/LF	15	12	19	9	38	63	36	14x2.0 14x1.5	8	22.23	3,300	110
SA 17T R/L SA 17T RF/LF	17	14	21	10	44	69	40	16x2.0 16x1.5	10	25.40	4,130	163
SA 20T R/L	20	16	25	12	51	78	47	20x1.5	8	28.58	5,500	270
SA 25T R/L	25	20	31	16	62	94	57	24x2.0	7	36.50	7,610	508

英 制 尺 寸 / DIMENSIONS IN INCHES * \pm 0.02~0.04 inches

型 號 Model No.	B	W +0 -0.004	O *	H +0 -0.004	D *	F *	A +0.080 -0	Thread S	旋角 α	球徑 Ball Dia. \varnothing	徑向荷重 Radial S. load (Lbs)	重量 Weight (Lbs)
SA 5/16T R/L	0.3125	0.315	0.394	0.197	0.906	1.654	0.984	UNF 5/16-24	15	0.500	2,600	0.05
SA 3/8T R/L	0.3750	0.354	0.472	0.236	1.102	1.890	1.142	UNF 3/8-24	14	0.625	3,550	0.09
SA 1/2T R/L	0.5000	0.394	0.591	0.276	1.260	2.126	1.299	UNF 1/2-20	10	0.709	4,960	0.15
SA 5/8T R/L	0.6250	0.551	0.827	0.394	1.732	2.717	1.575	UNF 5/8-18	10	1.000	9,100	0.36
SA 3/4T R/L	0.7500	0.630	0.984	0.472	2.008	3.071	1.850	UNF 3/4-16	8	1.125	12,130	0.60

ROD END BEARING

LF Series - Stainless Steel

Female Type

不銹鋼耐酸鹼型

採用超耐磨襯套材料(PTFE)，免給油設計，精密無間隙，不銹鋼材質，適合酸鹼場所使用。

材質

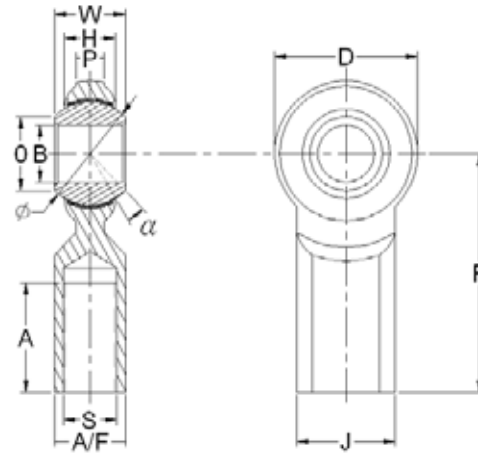
- 主體：不銹鋼SUS304。
- 鋼珠：不銹鋼 SUS 440C，熱處理 HRC 58 \pm 2。
- 襯墊：鐵氟龍銅網 (PTFE)-柔軟堅韌銅網和氟樹脂特別塗佈而組成。

SELF-LUBRICATING TYPE

Stainless steel body and ball which are suitable for corrosive environment. Highly wear-resisting PTFE liner. Well made with low clearance.

MATERIALS

- **BODY:** Stainless Steel SUS 304
- **BALL:** Stainless Steel SUS 440C, Heat Treated HRC 58 \pm 2
- **LINER:** PTFE-Strong & flexible bronze mesh spread with fluorine resin



公制尺寸 / DIMENSIONS IN METRIC * \pm 0.5~1.0 mm

型號 Model No.	B H7	W +0 -0.1	O *	H +0 -0.1	D *	F *	A +2 -0	J *	P *	A/F +0 -0.2	Thread S	旋角 α	球徑 Ball Dia. \varnothing	徑向荷重 Radial S. load (kgf)	重量 Weight (g)
LF 5 R/L	5	7.94	7.7	5.2	13.3	26.2	12.7	10.3	3	7.9	5x0.8	20	11.11	360	20
LF 6 R/L	6	9.53	8.6	6.4	19.3	31.5	15.9	11.9	3	9.3	6x1.0	20	12.70	590	30
LF 8 R/L LF 8 RF/LF	8	11.11	11.4	7.9	22.2	34.9	18.0	2.7	4.5	11.1	8x1.25 8x1.0	22	15.88	890	40
LF 10 R/L LF 10 RF/LF	10	12.70	12.9	9.1	25.4	41.3	19.05	17.5	5.0	12.7	10x1.5 10x1.25	22	18.00	1,190	64
LF 12 R/L LF 12 RF/LF	12	15.88	15.2	11.5	33.3	54	25.4	22.2	6.2	19.1	12x1.75 12x1.25	20	22.23	1,780	144
LF 16 R/L LF 16 RF/LF	16	19.05	19.1	12.3	38.1	63.5	31.8	25.4	7.5	22.2	16x2.0 16x1.5	21	28.58	2,370	213
LF 18 R/L	18	22.23	21.5	15.0	44.5	73	34.9	28.6	8.3	25.4	18x1.5	21	31.75	2,970	322

英制尺寸 / DIMENSIONS IN INCHES * \pm 0.02~0.04 inches

型號 Model No.	B H7	W +0 -0.004	O *	H +0 -0.004	D *	F *	A +0.080 -0	J *	P *	A/F +0 -0.080	Thread S	旋角 α	球徑 Ball Dia. \varnothing	徑向荷重 Radial S. load (Lbs)	重量 Weight (Lbs)
LF 3/16 R/L	0.1875	0.312	0.303	0.204	0.525	1.032	0.500	0.405	0.118	0.312	UNF 3/16-32	20	0.437	790	0.04
LF 1/4 R/L	0.2500	0.375	0.339	0.252	0.760	1.242	0.625	0.468	0.118	0.375	UNF 1/4-28	20	0.500	1,300	0.07
LF 5/16 R/L	0.3125	0.437	0.449	0.311	0.875	1.375	0.710	0.500	0.177	0.437	UNF 5/16-24	22	0.625	1,960	0.09
LF 3/8 R/L	0.3750	0.500	0.508	0.358	1.000	1.625	0.750	0.687	0.197	0.500	UNF 3/8-24	22	0.709	2,620	0.14
LF 7/16 R/L	0.4375	0.500	0.508	0.358	1.000	1.625	0.750	0.687	0.197	0.500	UNF 7/16-20	22	0.709	2,620	0.14
LF 1/2 R/L	0.5000	0.625	0.598	0.453	1.312	2.125	1.000	0.875	0.244	0.750	UNF 1/2-20	20	0.875	3,920	0.32
LF 5/8 R/L	0.6250	0.750	0.752	0.484	1.500	2.500	1.250	1.000	0.295	0.875	UNF 5/8-18	21	1.125	5,220	0.47
LF 3/4 R/L	0.7500	0.875	0.846	0.590	1.750	2.875	1.375	1.125	0.327	1.000	UNF 3/4-16	21	1.250	6,540	0.71

ROD END BEARING

LM Series - Stainless Steel

Male Type

不銹鋼耐酸鹼型

採用超耐磨襯套材料(PTFE)，免給油設計，精密無間隙，不銹鋼材質，適合酸鹼場所使用。

材質

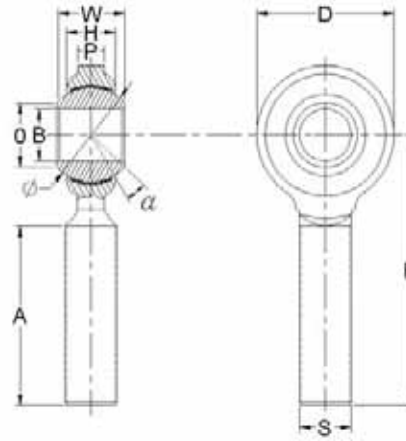
- 主體：不銹鋼SUS304。
- 鋼珠：不銹鋼 SUS 440C，熱處理 HRC 58 \pm 2。
- 襯墊：鐵氟龍銅網 (PTFE)-柔軟堅韌銅網和氟樹脂特別塗佈而組成。

SELF-LUBRICATING TYPE

Stainless steel body and ball which are suitable for corrosive environment. Highly wear-resisting PTFE liner. Well made with low clearance.

MATERIALS

- **BODY:** Stainless Steel SUS 304
- **BALL:** Stainless Steel SUS 440C, Heat Treated HRC 58 \pm 2
- **LINER:** PTFE-Strong & flexible bronze mesh spread with fluorine resin



公制尺寸 / DIMENSIONS IN METRIC * \pm 0.5~1.0 mm

型號 Model No.	B H7	W +0 -0.1	O *	H +0 -0.1	D *	F *	A +2 -0	P *	Thread S	旋角 α	球徑 Ball Dia. \varnothing	徑向荷重 Radial S. load (kgf)	重量 Weight (g)
LM 5 R/L	5	7.94	7.7	5.2	13.3	32	19	3	5x0.8	20	11.11	360	15
LM 6 R/L	6	9.53	8.6	6.4	19.3	40	25	3	6x1.0	20	12.70	590	25
LM 8 R/L LM 8 RF/LF	8	11.11	11.4	7.9	22.2	48	32	4.5	8x1.25 8x1.0	22	15.88	890	35
LM 10 R/L LM 10 RF/LF	10	12.70	12.9	9.1	25.4	50	35	5.0	10x1.5 10x1.25	22	18.00	1,190	60
LM 12 R/L LM 12 RF/LF	12	15.88	15.2	11.5	33.3	62	38	6.2	12x1.75 12x1.25	20	22.23	1,780	119
LM 16 R/L LM 16 RF/LF	16	19.05	19.1	12.3	38.1	67	41	7.5	16x2.0 16x1.5	21	28.58	2,370	178
LM 18 R/L	18	22.23	21.5	15.0	44.5	73	45	8.3	18x1.5	21	31.75	2,970	282

英制尺寸 / DIMENSIONS IN INCHES * \pm 0.02~0.04 inches

型號 Model No.	B H7	W +0 -0.004	O *	H +0 -0.004	D *	F *	A +0.080 -0	P *	Thread S	旋角 α	球徑 Ball Dia. \varnothing	徑向荷重 Radial S. load (Lbs)	重量 Weight (Lbs)
LM 3/16 R/L	0.1875	0.312	0.303	0.204	0.525	1,250	0.750	0.118	UNF 3/16-32	20	0.437	790	0.03
LM 1/4 R/L	0.2500	0.375	0.339	0.252	0.760	1,562	1.000	0.118	UNF 1/4-28	20	0.500	1,300	0.06
LM 5/16 R/L	0.3125	0.437	0.449	0.311	0.875	1,875	1.250	0.177	UNF 5/16-24	22	0.625	1,960	0.08
LM 3/8 R/L	0.3750	0.500	0.508	0.358	1.000	1,939	1.375	0.197	UNF 3/8-24	22	0.709	2,620	0.13
LM 7/16 R/L	0.4375	0.500	0.508	0.358	1.000	1,939	1.375	0.197	UNF 7/16-20	22	0.709	2,620	0.13
LM 1/2 R/L	0.5000	0.625	0.598	0.453	1.312	2,436	1.500	0.244	UNF 1/2-20	20	0.875	3,920	0.26
LM 5/8 R/L	0.6250	0.750	0.752	0.484	1.500	2,625	1.625	0.295	UNF 5/8-18	21	1.125	5,220	0.39
LM 3/4 R/L	0.7500	0.875	0.846	0.590	1.750	2,875	1.750	0.327	UNF 3/4-16	21	1.250	6,540	0.62

ROD END BEARING

HKF, XHKF Series

Female Type

重力耐磨型

適用於重負載車輛或機器，超耐磨免給油。

材質

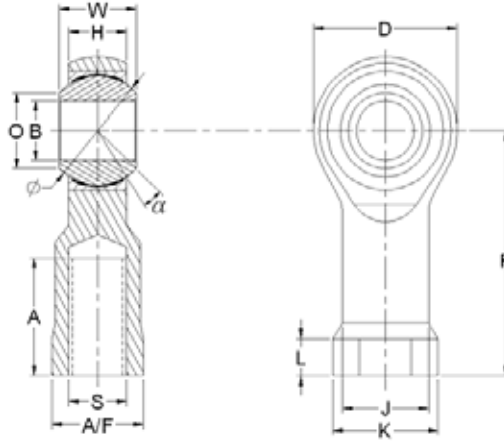
- 主體：HKF- 中碳鋼 S35C，熱處理，鍍鋅(Cr3+)。
XHKF- 合金鋼SCM 440 接受訂製。
- 鋼珠：鉻鉬軸承鋼SUJ-2，熱處理 HRC 58 \pm 2，鍍硬鉻。
- 外框：中碳鋼 S45C或不銹鋼 SUS416。
- 襯墊：鐵氟龍銅網(PTFE)-柔軟堅韌銅網和氟樹脂特別塗佈而組成。

SELF-LUBRICATING TYPE

Suitable for heavy load applications.

MATERIALS

- BODY: HKF- Carbon Steel S35C, Heat Treated, Zinc Coated(Cr3+)
XHKF- Alloy Steel SCM 440 is available by customer-made order
- BALL: Bearing Steel SUJ-2, Heat Treated HRC 58 \pm 2, Hard Chrome Plated
- RACE: Medium Carbon Steel S45C or Stainless Steel SUS 416
- LINER: PTFE-Strong & flexible bronze mesh spread with fluorine resin



公制尺寸 / DIMENSIONS IN METRIC * \pm 0.5~1.0 mm

型號 Model No.	B	W	O	H	D	F	A	J	K	L	A/F	Thread	旋角 α	球徑 Ball Dia. ϕ	徑向荷重 Radial S. load(kgf)		重量 Weight (g)
															HKF	XHKF	
HKF 8 R/L HKF 8 RF/LF	8	12	10.4	9	23.5	36	17	13	16	5	14	8x1.25 8x1.0	13	15.88	1,360	3,220	46
HKF 10 R/L HKF 10 RF/LF	10	14	12.9	10.5	27	43	21	15	19	7	17	10x1.5 10x1.25	13	19.05	1,700	4,860	78
HKF 12 R/L HKF 12 RF/LF	12	16	15.4	12	32	50	24	18	22	7	19	12x1.75 12x1.25	13	22.23	1,890	5,220	115
HKF 14 R/L HKF 14 RF/LF	14	19	16.8	14	36	57	27	20	25	8	21	14x2.0 14x1.5	15	25.40	2,890	6,950	170
HKF 16 R/L HKF 16 RF/LF	16	21	19.3	15	39	64	33	22	27	8	22	16x2.0 16x1.5	15	28.58	3,120	7,390	230
HKF 18 R/L	18	23	21.8	17	44	71	36	25	31	10	27	18x1.5	15	31.75	4,380	8,310	320
HKF 20 R/L	20	25	24.3	18	47	77	40	28	34	10	30	20x1.5	15	34.93	4,930	11,640	420
HKF 22 R/L	22	28	25.9	20	50	84	43	30	37	12	32	22x1.5	15	38.10	5,690	11,710	540
HKF 25 R/L	25	31	29.6	22	56	94	48	34	42	12	36	24x2.0	15	42.85	6,570	13,850	750
HKF 30 R/L	30	37	34.8	26	67	110	56	40	50	15	41	30x2.0	15	50.80	8,860	18,880	1,130

英制尺寸 / DIMENSIONS IN INCHES * \pm 0.02~0.04 inches

型號 Model No.	B	W	O	H	D	F	A	J	K	L	A/F	Thread	旋角 α	球徑 Ball Dia. ϕ	徑向荷重 Radial S. load(Lbs)		重量 Weight (Lbs)
															HKF	XHKF	
HKF 5/16 R/L	0.3125	0.472	0.409	0.354	0.925	1.417	0.669	0.512	0.630	0.197	0.551	UNF 5/16-24	13	0.625	3,000	7,100	0.10
HKF 3/8 R/L	0.3750	0.551	0.508	0.433	1.063	1.693	0.827	0.590	0.748	0.256	0.669	UNF 3/8-24	13	0.750	3,750	10,710	0.17
HKF 1/2 R/L	0.5000	0.630	0.606	0.472	1.260	1.969	0.945	0.709	0.866	0.256	0.748	UNF 1/2-20	13	0.875	4,170	11,510	0.25
HKF 5/8 R/L	0.6250	0.827	0.760	0.590	1.535	2.520	1.299	0.866	1.063	0.315	0.866	UNF 5/8-18	15	1.125	6,880	16,290	0.51
HKF 3/4 R/L	0.7500	0.906	0.858	0.669	1.732	2.795	1.417	0.984	1.220	0.394	1.063	UNF 3/4-16	15	1.250	10,870	25,660	0.71
HKF 1 R/L	1.0000	1.220	1.165	0.866	2.205	3.700	1.890	1.339	1.654	0.472	1.417	UNF 1-12	15	1.687	14,480	30,530	1.65

ROD END BEARING

HKM, XHKM Series

Male Type

重力耐磨型

適用於重負載車輛或機器，超耐磨免給油。

材質

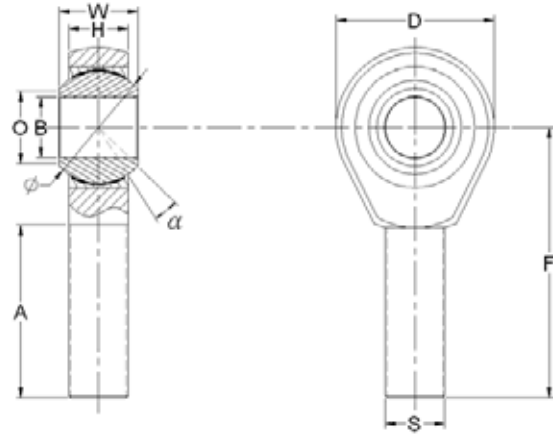
- **主體**：HKF- 中碳鋼 S35C，熱處理，鍍鋅(Cr3+)。
XHKF- 合金鋼SCM 440 接受訂製。
- **鋼珠**：鉻鉬軸承鋼SUJ-2，熱處理 HRC 58 \pm 2，鍍硬鉻。
- **外框**：中碳鋼 S45C或不銹鋼 SUS416。
- **襯墊**：鐵氟龍銅網(PTFE)-柔軟堅韌銅網和氟樹脂特別塗佈而組成。

SELF-LUBRICATING TYPE

Suitable for heavy load applications.

MATERIALS

- **BODY**: HKF- Carbon Steel S35C, Heat Treated, Zinc Coated(Cr3+)
XHKF- Alloy Steel SCM 440 is available by customer-made order
- **BALL**: Bearing Steel SUJ-2, Heat Treated HRC 58 \pm 2, Hard Chrome Plated
- **RACE**: Medium Carbon Steel S45C or Stainless Steel SUS 416
- **LINER**: PTFE-Strong & flexible bronze mesh spread with fluorine resin



公制尺寸 / DIMENSIONS IN METRIC * \pm 0.5~1.0 mm

型號 Model No.	B H7	W +0 -0.1	O *	H +0 -0.1	D *	F *	A +2 -0	Thread S	旋角 α	球徑 Ball Dia. \varnothing	徑向荷重 Radial S. load(kgf)		重量 Weight (g)
											HKM	XHKM	
HKM 8 R/L HKM 8 RF/LF	8	12	10.4	9	23.5	42	25	8x1.25 8x1.0	13	15.88	1,320	3,210	34
HKM 10 R/L HKM 10 RF/LF	10	14	12.9	10.5	27	48	29	10x1.5 10x1.25	13	19.05	1,700	4,860	58
HKM 12 R/L HKM 12 RF/LF	12	16	15.4	12	32	54	33	12x1.75 12x1.25	13	22.23	1,790	4,310	92
HKM 14 R/L HKM 14 RF/LF	14	19	16.8	14	36	60	36	14x2.0 14x1.5	15	25.40	2,890	6,950	135
HKM 16 R/L HKM 16 RF/LF	16	21	19.3	15	39	66	40	16x2.0 16x1.5	15	28.58	3,120	7,390	205
HKM 18 R/L	18	23	21.8	17	44	72	44	18x1.5	15	31.75	4,380	8,310	285
HKM 20 R/L	20	25	24.3	18	47	78	47	20x1.5	15	34.93	4,930	11,640	370
HKM 22 R/L	22	28	25.9	20	50	84	51	22x1.5	15	38.10	5,690	11,710	475
HKM 25 R/L	25	31	29.6	22	56	94	57	24x2.0	15	42.85	6,570	13,850	650
HKM 30 R/L	30	37	34.8	26	67	110	66	30x2.0	15	50.80	8,860	18,880	1,070

英制尺寸 / DIMENSIONS IN INCHES * \pm 0.02~0.04 inches

型號 Model No.	B H7	W +0 -0.004	O *	H +0 -0.004	D *	F *	A +0.080 -0	Thread S	旋角 α	球徑 Ball Dia. \varnothing	徑向荷重 Radial S. load(Lbs)		重量 Weight (Lbs)
											HKM	XHKM	
HKM 5/16 R/L	0.3125	0.472	0.409	0.354	0.925	1.654	1.000	UNF 5/16-24	13	0.625	2,910	7,080	0.07
HKM 3/8 R/L	0.3750	0.551	0.508	0.433	1.063	1.890	1.181	UNF 3/8-24	13	0.750	3,750	10,710	0.13
HKM 1/2 R/L	0.5000	0.630	0.606	0.472	1.260	2.126	1.300	UNF 1/2-20	13	0.875	4,170	11,900	0.20
HKM 5/8 R/L	0.6250	0.827	0.760	0.590	1.535	2.598	1.575	UNF 5/8-18	15	1.125	6,880	16,290	0.45
HKM 3/4 R/L	0.7500	0.906	0.858	0.669	1.732	2.835	1.732	UNF 3/4-16	15	1.250	10,870	25,660	0.63
HKM 1 R/L	1	1.220	1.165	0.866	2.205	3.700	2.244	UNF 1-12	15	1.687	14,480	30,530	1.43

ROD END BEARING

AXF Series

Female Type

鋁合金自潤型

主體採用高強度航空鋁合金鍛造，質輕、強韌，耐腐蝕。

材質

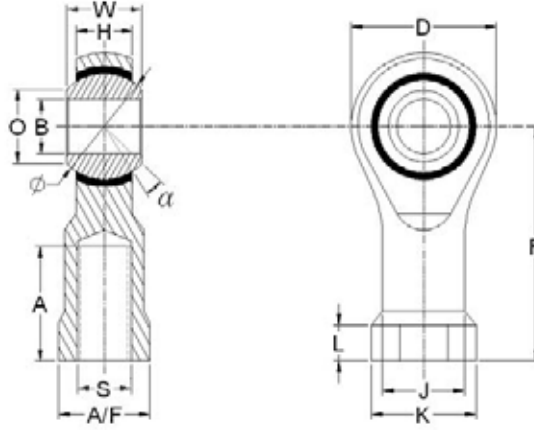
- **主體**：航空鋁合金7075-T6，表面陽極處理（紅、藍、銀白）。
- **鋼珠**：鉻鉬軸承鋼SUJ-2，熱處理 HRC 58 \pm 2，表面鍍硬鉻。
- **襯墊**：特殊耐磨尼龍複合材料。

SELF-LUBRICATING TYPE

Light weight, high strength aircraft aluminum alloy forging body.

MATERIALS

- **BODY**: Aircraft Aluminum 7075-T6, Color Anodized Red (Blue or Silver)
- **BALL**: Bearing Steel SUJ-2, Heat Treated HRC 58 \pm 2, Hard Chrome Plated
- **LINER**: Special Reinforce Nylon Material



公制尺寸 / DIMENSIONS IN METRIC * \pm 0.5~1.0 mm

型號 Model No.	B	W	O	H	D	F	A	J	K	L	A/F	Thread	旋角 α	球徑 Ball Dia. \varnothing	徑向荷重 Radial S. load (kgf)	重量 Weight (g)
AXF 6 R/L	6	9	8.9	6.7	18	30	14	10	13	5	11	6x1.0	13	12.70	1,320	18
AXF 8 R/L AXF 8 RF/LF	8	12	10.4	9	23.5	36	17	13	16	5	14	8x1.25 8x1.0	13	15.88	1,630	27
AXF 10 R/L AXF 10 RF/LF	10	14	12.9	10.5	26	43	21	15	19	7	17	10x1.5 10x1.25	13	19.05	2,040	50
AXF 12 R/L AXF 12 RF/LF	12	16	15.4	12	30	50	24	18	22	7	19	12x1.75 12x1.25	13	22.23	3,180	75

英制尺寸 / DIMENSIONS IN INCHES * \pm 0.02~0.04 inches

型號 Model No.	B	W	O	H	D	F	A	J	K	L	A/F	Thread	旋角 α	球徑 Ball Dia. \varnothing	徑向荷重 Radial S. load (Lbs)	重量 Weight (Lbs)
AXF 1/4 R/L	0.2500	0.354	0.350	0.264	0.709	1.181	0.551	0.394	0.512	0.197	0.433	UNF 1/4-28	13	0.500	2,900	0.04
AXF 5/16 R/L	0.3125	0.472	0.409	0.354	0.925	1.417	0.669	0.512	0.630	0.197	0.551	UNF 5/16-24	13	0.625	3,600	0.06
AXF 3/8 R/L	0.3750	0.551	0.508	0.433	1.024	1.693	0.827	0.590	0.748	0.256	0.669	UNF 3/8-24	13	0.750	4,500	0.11
AXF 1/2 R/L	0.5000	0.630	0.606	0.472	1.181	1.969	0.945	0.709	0.866	0.256	0.748	UNF 1/2-20	13	0.875	7,000	0.17

ROD END BEARING

AXM Series

Male Type

鋁合金自潤型

主體採用高強度航空鋁合金鍛造，質輕、強韌，耐腐蝕。

材質

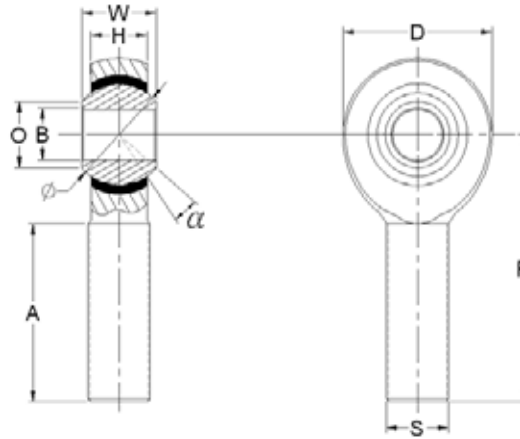
- 主體：航空鋁合金7075-T6，表面陽極處理（紅、藍、銀白）。
- 鋼珠：鉻鉬軸承鋼SUJ-2，熱處理 HRC 58 \pm 2，表面鍍硬鉻。
- 襯墊：特殊耐磨尼龍複合材料。

SELF-LUBRICATING TYPE

Light weight, high strength aircraft alluminum alloy forging body.

MATERIALS

- BODY: Aircraft Aluminum 7075-T6, Color Anodized Red (Blue or Silver)
- BALL: Bearing Steel SUJ-2, Heat Treated HRC 58 \pm 2, Hard Chrome Plated
- LINER: Special Reinforce Nylon Material



公制尺寸 / DIMENSIONS IN METRIC * \pm 0.5~1.0 mm

型號 Model No.	B H7	W +0 -0.1	O *	H +0 -0.1	D *	F *	A +2 -0	Thread S	旋角 α	球徑 Ball Dia. \varnothing	徑向荷重 Radial S. load (kgf)	重量 Weight (g)
AXM 6 R/L	6	9	8.9	6.7	18	36	22	6x1.0	13	12.70	1,140	14
AXM 8 R/L AXM 8 RF/LF	8	12	10.4	9	23.5	42	25	8x1.25 8x1.0	13	15.88	1,450	23
AXM 10 R/L AXM 10 RF/LF	10	14	12.9	10.5	26	48	29	10x1.5 10x1.25	13	19.05	2,040	23
AXM 12 R/L AXM 12 RF/LF	12	16	15.4	12	30	54	33	12x1.75 12x1.25	13	22.23	3,500	55
AXM 16 R/L AXM 16 RF/LF	16	21	19.3	15	38	66	40	16x2.0 16x1.5	15	28.58	3,900	82
AXM 18 R/L	18	23	21.8	17	44	72	44	18x1.5	15	31.75	4,990	110
AXM 20 R/L	20	25	24.3	18	47	78	47	20x1.5	15	34.93	6,080	132

英制尺寸 / DIMENSIONS IN INCHES * \pm 0.02~0.04 inches

型號 Model No.	B H7	W +0 -0.004	O *	H +0 -0.004	D *	F *	A +0.080 -0	Thread S	旋角 α	球徑 Ball Dia. \varnothing	徑向荷重 Radial S. load (Lbs)	重量 Weight (Lbs)
AXM 1/4 R/L	0.2500	0.354	0.350	0.264	0.709	1.417	0.875	UNF 1/4-28	13	0.500	2,500	0.03
AXM 5/16 R/L	0.3125	0.472	0.409	0.354	0.925	1.654	1.000	UNF 5/16-24	13	0.625	3,200	0.05
AXM 3/8 R/L	0.3750	0.551	0.508	0.413	1.024	1.890	1.181	UNF 3/8-24	13	0.750	4,500	0.05
AXM 1/2 R/L	0.5000	0.630	0.606	0.472	1.181	2.126	1.300	UNF 1/2-20	13	0.875	7,700	0.12
AXM 5/8 R/L	0.6250	0.827	0.760	0.590	1.496	2.598	1.575	UNF 5/8-18	15	1.125	8,600	0.18
AXM 3/4 R/L	0.7500	0.906	0.858	0.669	1.850	2.835	1.732	UNF 3/4-16	15	1.250	13,400	0.29

SPHERICAL BEARING

PB, PBN Series

材 質

- 外 框：中碳鋼S45C (PBN 系列表面磷酸錳皮膜處理)。
- 鋼 珠：鉻鉬軸承鋼SUJ-2，熱處理 HRC 58 \pm 2，表面鍍硬鉻。

襯 墊：

PB系列-合金黃銅

PBN系列-特殊強力尼龍複合材料

MATERIALS

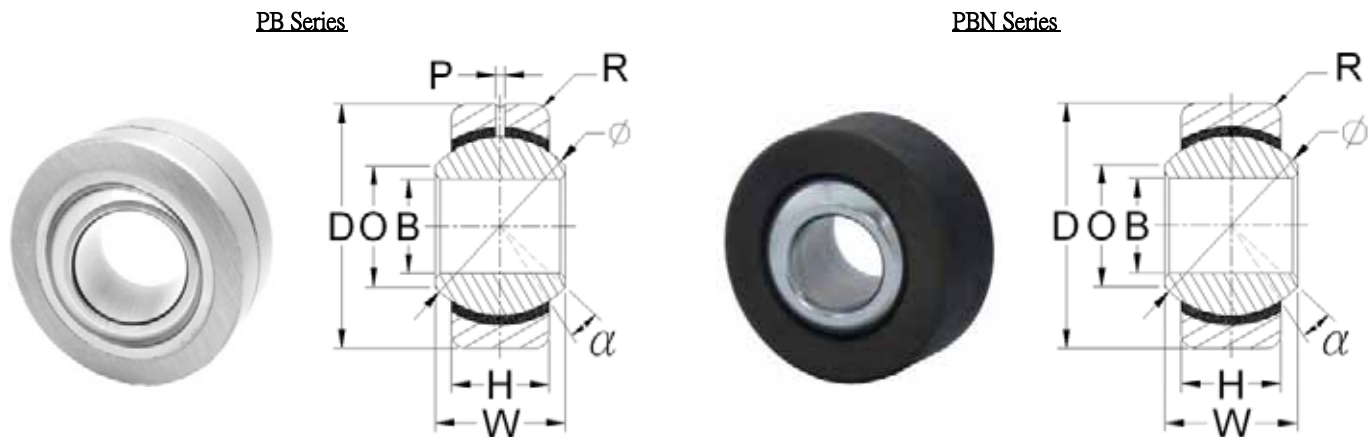
- **RACE:** Medium Carbon Steel S45C (PBN Series with Phosphatizing Treated)

- **BALL:** Bearing Steel SUJ-2, Heat Treated HRC 58 \pm 2, Hard Chrome Plated

LINER:

PB Series-Copper Alloy

PBN Series-Special Reinforce Nylon Material



公 制 尺 寸 / DIMENSIONS IN METRIC * \pm 0.5~1.0 mm

型 號 Model No.	B	W	O	H	D	P	R	旋角 α	球徑 Ball Dia. \varnothing	徑向荷重 Radial S. load (kgf)	重量 Weight (g)
PB 4	4	6	7.0	4.5	13	0.8	0.5	13	10.32	550	3
PB 5 PBN 5	5	8	7.7	6	16	0.8	0.5	13	11.11	790	8.5
PB 6 PBN 6	6	9	8.9	6.7	18	0.8	1.0	13	12.70	990	13
PB 8 PBN 8	8	12	10.4	9	22	1.0	1.0	13	15.88	1,630	24
PB 10 PBN 10	10	14	12.9	10.5	26	1.0	1.5	13	19.05	2,340	39
PB 12 PBN 12	12	16	15.4	12	30	1.0	1.5	13	22.23	3,160	58
PB 14 PBN 14	14	19	16.8	14	34	1.2	2.0	15	25.40	4,080	84
PB 16 PBN 16	16	21	19.3	15	38	1.2	2.0	15	28.58	5,090	111
PB 18 PBN 18	18	23	21.8	17	42	1.5	2.0	15	31.75	6,220	160
PB 20 PBN 20	20	25	24.3	18	46	1.5	3.0	15	34.93	7,440	210
PB 22	22	28	25.8	20	50	1.5	3.0	15	38.10	8,970	265
PB 25	25	31	29.6	22	56	1.5	3.0	15	42.85	11,210	390

SPHERICAL BEARING

PC Series

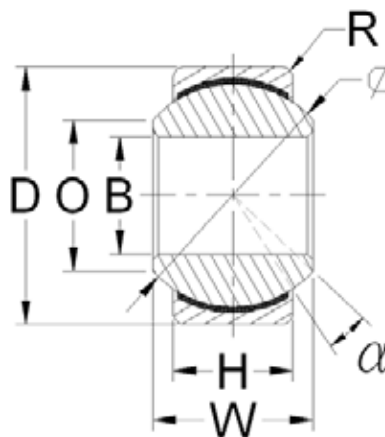
強力耐磨軸承，免給油、自潤型

材 質

- 外框及襯墊：
PC 4~PC 10: 合金黃銅 或 中碳鋼S45C，鐵氟龍銅網(PTFE)
PC 12~PC 25: 中碳鋼S45C，鐵氟龍銅網(PTFE)
- 鋼 珠：鉻鉬軸承鋼SUJ-2，熱處理 HRC 58 \pm 2，表面鍍硬鉻。

SELF-LUBRICATING TYPE
MATERIALS

- RACE & LINER:
PC 4~PC 10: Copper Alloy or Medium Carbon Steel S45C with PTFE lined
PC12~PC25: Medium Carbon Steel S45C with PTFE lined
- BALL: Bearing Steel SUJ-2, Heat Treated HRC 58 \pm 2, Hard Chrome Plated



公 制 尺 寸 / DIMENSIONS IN METRIC * \pm 0.5~1.0 mm

型 號 Model No.	B	W	O	H	D	R	旋角 α	球徑 Ball Dia. \varnothing	徑向荷重 Radial S. load (kgf)	重量 Weight (g)
PC 4	4	6	7.0	4.5	12	0.5	13	10.32	350	3.5
PC 5	5	8	7.7	6	13	0.5	13	11.11	550	6
PC 6	6	9	8.9	6.7	15	0.5	13	12.70	650	9
PC 8	8	12	10.4	9	18	1.0	13	15.88	1,150	17
PC 10	10	14	12.9	10.5	22	1.0	13	19.05	1,650	27
PC 12	12	16	15.4	12	26	1.0	13	22.23	5,500	41
PC 14	14	19	16.8	14	30	1.5	15	25.40	7,020	59
PC 16	16	21	19.3	15	34	1.5	15	28.58	8,850	78
PC 18	18	23	21.8	17	38	1.5	15	31.75	10,830	112
PC 20	20	25	24.3	18	42	2.0	15	34.93	12,840	147
PC 22	22	28	25.8	20	46	2.0	15	38.10	15,600	186
PC 25	25	31	29.6	22	50	2.0	15	42.85	19,450	273

SPHERICAL BEARING

GE Series

簡易型

鋼珠與外框間無襯墊設計，一般狀況均適用。

材質

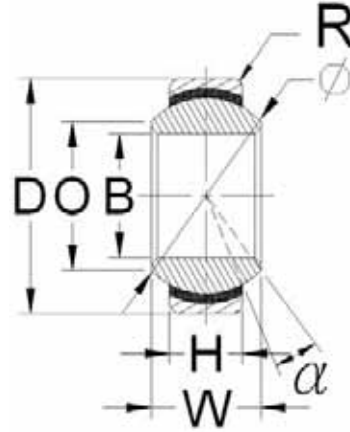
- 外框及鋼珠：鉻鉬軸承鋼SUJ-2，熱處理 HRC 58 \pm 2，表面磷酸錳皮膜處理。

ECONOMIC TYPE

Matel to matel, economic type for general purpose

MATERIALS

- RACE & BALL: Bearing Steel SUJ-2, Heat Treated HRC 58 \pm 2, Phosphatizing Treated



公制尺寸 / DIMENSIONS IN METRIC * \pm 0.5~1.0 mm

型號 Model No.	B	W ⁺⁰ / _{-0.1}	O *	H ⁺⁰ / _{-0.1}	D	P *	R	旋角 α	球徑 Ball Dia. \varnothing	徑向荷重 Radial S. load (kgf)	重量 Weight (g)
GE 8	8	8	10	5	16	1.0	1.0	15	12.70	2,800	8
GE 10	10	9	12	6	19	1.0	1.5	12	15.88	4,100	13
GE 12	12	10	14	7	22	1.0	1.5	10	18.00	5,500	20
GE 15	15	12	18	9	26	1.5	2.0	8	22.23	8,600	32
GE 17	17	14	20	10	30	1.5	2.0	10	25.40	10,800	45
GE 20	20	16	24	12	35	1.5	2.0	8	28.58	14,800	70
GE 25	25	20	29	16	42	2	3.0	7	36.50	24,400	130
GE 30	30	22	34	18	47	2	3.0	6	42.85	31,600	170
GE 35	35	25	39	20	55	2	3.0	6	48.00	40,700	250
GE 40	40	28	45	22	62	2.5	4.0	7	54.00	50,900	320
GE 45	45	32	50	25	68	2.5	4.0	7	60.00	65,200	450
GE 50	50	35	55	28	75	2.5	5.0	6	66.00	79,500	580
GE 60	60	44	66	36	90	2.5	5.0	6	80.00	124,300	1,100

SPHERICAL BEARING

GE-C Series

免給油、自潤型

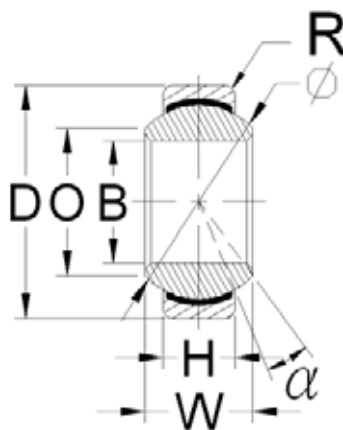
材質

- 外 框:中碳鋼S45C。
- 鋼 珠:鉻鉬軸承鋼SUJ-2，熱處理 HRC 58 \pm 2，表面鍍硬鉻。
- 襯 墊:鐵氟龍銅網(PTFE)，柔軟堅韌銅網和氟樹脂特別塗佈而組成。

SELF-LUBRICATING TYPE

MATERIALS

- RACE: Medium Carbon Steel S45C
- BALL: Bearing Steel SUJ-2, Heat Treated HRC 58 \pm 2, Hard Chrome Plated
- LINER:PTFE, Strong & flexible bronze mesh spread with fluorine resin



公制尺寸 / DIMENSIONS IN METRIC * \pm 0.5~1.0 mm

型號 Model No.	B	W ⁺⁰ -0.1	O *	H ⁺⁰ -0.1	D	R	旋角 α	球徑 Ball Dia. \varnothing	徑向荷重 Radial S. load (kgf)	重量 Weight (g)
GE 8 C	8	8	10	5	16	1.0	15	12.70	1,480	8
GE 10 C	10	9	12	6	19	1.5	12	15.88	2,100	13
GE 12 C	12	10	14	7	22	1.5	10	18.00	2,900	20
GE 15 C	15	12	18	9	26	2.0	8	22.23	4,480	32
GE 17 C	17	14	20	10	30	2.0	10	25.40	5,700	45
GE 20 C	20	16	24	12	35	2.0	8	28.58	7,950	70
GE 25 C	25	20	29	16	42	3.0	7	36.50	12,940	130
GE 30 C	30	22	34	18	47	3.0	6	42.85	16,920	170
GE 35 C	35	25	39	20	55	3.0	6	48.00	22,830	250
GE 40 C	40	28	45	22	62	4.0	7	54.00	28,540	320
GE 45 C	45	32	50	25	68	4.0	7	60.00	36,970	450
GE 50 C	50	35	55	28	75	5.0	6	66.00	44,850	580
GE 60 C	60	44	66	36	90	5.0	6	80.00	70,840	1,100

LINK BALL BEARING

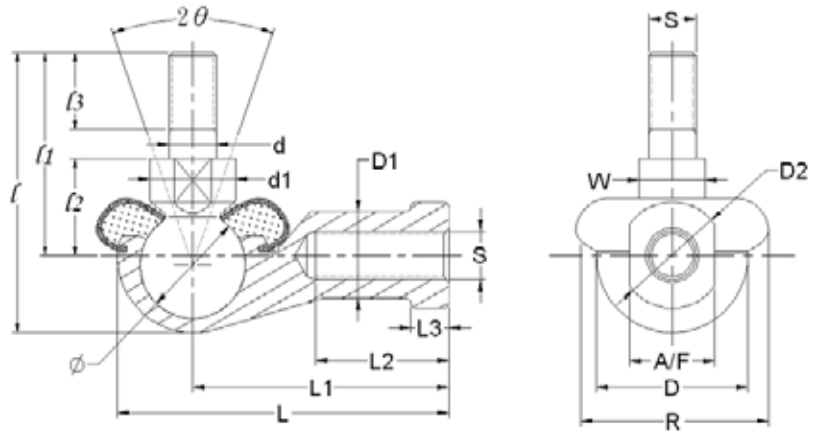
RBL Series

材 質

- 主 體：高強度鋅合金
- 活動柄：中碳鋼 S35C, 表面鍍鋅
- 防塵套：特殊合成橡膠, NBR

MATERIALS

- **BODY:** High Strength Zinc Alloy
- **BALL STUD:** Medium Carbon Steel S35C, Zinc Coated
- **BOOT:** Special Synthetic Rubber, NBR



公 制 尺 寸 / DIMENSIONS IN METRIC mm

型 號 Model No.	外 型 尺 寸 Outline Dimensions				螺 紋 Thread	主 體 尺 寸 Body Dimensions						活 動 柄 尺 寸 Ball Stud Dimensions							旋 角 2θ	荷 重 S. load (kgf)	重 量 Weight (g)
	L	D	l	R		S	L1	L2	L3	D1	D2	A/F	l1	l2	l3	d	d1	W			
RBL 5 R/L	35	16	29	19	5x0.8	27	12	4	9	11	9	21	10	8	5	8	7	11.11	45	840	24
RBL 6 R/L	40	19	35.5	20	6x1.0	30	14	5	10	13	11	26	11	11	6	9	7	12.70	45	1,100	37
RBL 8 R/L	48	23	42.5	24	8x1.25	36	17	5	12.5	16	14	31	14	12	8	11	9	15.88	45	1,740	67
RBL 10 R/L	57	27	56.5	30	10x1.5	43	21	6.5	15	19	17	43	17	21	10	14	12	19.05	40	2,480	113
RBL 10 RF/LF	57	27	50.5	30	10x1.25	43	21	6.5	15	19	17	37	17	15	10	14	12	19.05	40	2,480	113
RBL 12 R/L	66	31	64.5	32	12x1.75	50	25	6.5	17.5	22	19	49	19	24	12	19	17	22.23	40	3,390	170
RBL 12 RF/LF	66	31	57.5	32	12x1.25	50	25	6.5	17.5	22	19	42	19	17	12	19	17	22.23	40	3,390	170
RBL 14 R/L	75	35	79.5	38	14x2.0	57	26	8	20	25	22	62	21.5	28	14	20	17	25.40	40	4,400	260
RBL 14 RF/LF	75	35	73.5	38	14x1.5	57	26	8	20	25	22	56	21.5	22	14	20	17	25.40	40	4,400	260
RBL 16 R/L	84	39	85.5	44	16x2.0	64	32	8	22	27	22	66	23.5	29	16	22	19	25.40	35	5,400	340
RBL 16 RF/LF	84	39	79.5	44	16x1.5	64	32	8	22	27	22	60	23.5	23	16	22	19	25.40	35	5,400	340

LINK BALL BEARING

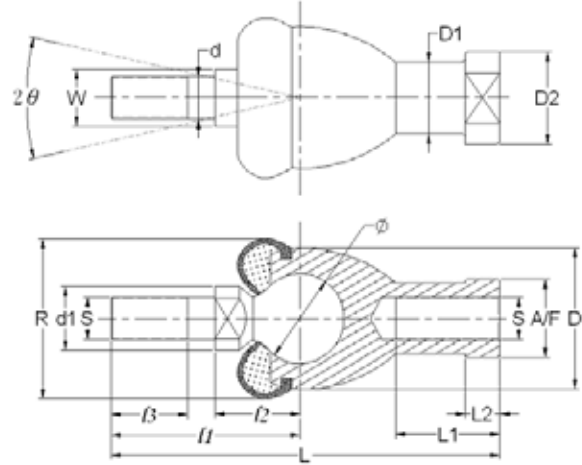
BI Series

材 質

- 主 體：高強度鋅合金
- 活動柄：中碳鋼 S35C, 表面鍍鋅
- 防塵套：特殊合成橡膠，NBR

MATERIALS

- **BODY:** High Strength Zinc Alloy
- **BALL STUD:** Medium Carbon Steel S35C, Zinc Coated
- **BOOT:** Special Synthetic Rubber, NBR



公 制 尺 寸 / DIMENSIONS IN METRIC mm

型 號 Model No.	外 型 尺 寸 Outline Dimensions			螺 紋 Thread S	主 體 尺 寸 Body Dimensions					活 動 柄 尺 寸 Ball Stud Dimensions							旋 角 2θ	荷 重 S. load (kgf)	重 量 Weight (g)
	L	D	R		L1	L2	D1	D2	A/F	l1	l2	β	d	d1	W	Ball Dia. Ø			
BI 5 R/L	46	17	18	5x0.8	12	4	9	11	9	22	11	8	5	9	7	11.11	45	550	25
BI 6 R/L	55.5	20	21	6x1.0	15	5	10	13	11	27.5	12.5	11	6	10	8	12.70	45	730	40
BI 8 R/L	65	24	26	8x1.25	16	5	12.5	16	14	33	16	12	8	12	10	15.88	45	1,070	75
BI 10 R/L	80.5	28	29	10x1.5	18	6.5	15	19	17	45.5	19.5	21	10	14	12	19.05	40	1,550	125
BI 10 RF/LF	74.5	28	29	10x1.25	18	6.5	15	19	17	39.5	19.5	15	10	14	12	19.05	40	1,550	125
BI 12 R/L	91	32	33	12x1.75	20	7	17.5	22	19	51	21	24	12	17	14	22.23	40	2,130	190
BI 12 RF/LF	84	32	33	12x1.25	20	7	17.5	22	19	44	21	17	12	17	14	22.23	40	2,130	190
BI 14 R/L	109	36	38	14x2.0	25	8	20	25	22	64	23.5	28	14	20	17	25.40	40	2,810	280
BI 14 RF/LF	103	36	38	14x1.5	25	8	20	25	22	58	23.5	22	14	20	17	25.40	40	2,810	280
BI 16 R/L	118	40	44	16x2.0	27	8	22	27	22	68	25.5	29	16	22	19	25.40	35	3,300	370
BI 16 RF/LF	112	40	44	16x1.5	27	8	22	27	22	62	25.5	23	16	22	19	25.40	35	3,300	370

LINK BALL BEARING

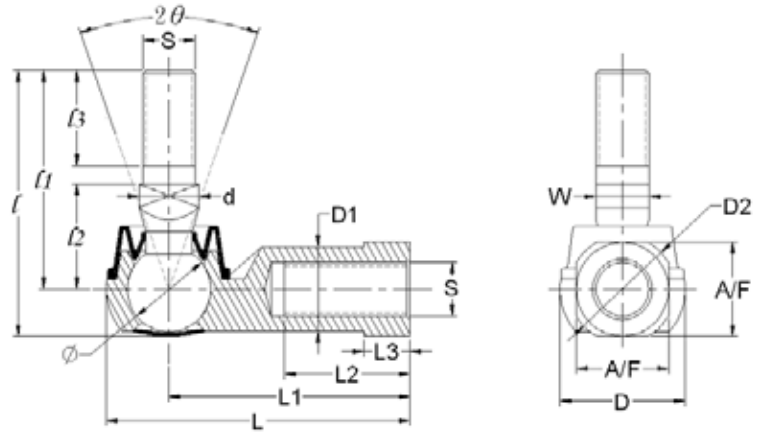
BL Series

材 質

- 主 體：高強度鋅合金
- 活動柄：中碳鋼 S35C, 表面鍍鋅
- 防塵套：特殊合成橡膠, NBR

MATERIALS

- BODY: High Strength Zinc Alloy
- BALL STUD: Medium Carbon Steel S35C, Zinc Coated
- BOOT: Special Synthetic Rubber, NBR



公 制 尺 寸 / DIMENSIONS IN METRIC mm

型 號 Model No.	外 型 尺 寸 Outline Dimensions			螺 紋 Thread	主 體 尺 寸 Body Dimensions						活 動 柄 尺 寸 Ball Stud Dimensions						旋角 2θ	荷重 S. load (kgf)	重 量 Weight (g)
	L	D	ℓ	S	L1	L2	L3	D1	D2	A/F	ℓ1	ℓ2	ℓ3	d	W	Ball Dia. ∅			
BL 6 R/L	38	16	32.6	6x1.0	30	16	5	10	13	11	26	11	11	8	7	11.11	40	910	26
BL 8 R/L	45.5	19	38.6	8x1.25	36	19	6	12.5	16	14	31	14	12	9	8	12.7	40	1,150	49
BL 10 R/L	55.5	25	52.3	10x1.5	43	23	7	14.5	19	17	41.3	17	21	14	12	15.88	40	1,680	90
BL 10 RF/LF	55.5	25	48.3	10x1.25	43	23	7	14.5	19	17	37.3	17	17	14	12	15.88	40	1,680	90

LINK BALL BEARING

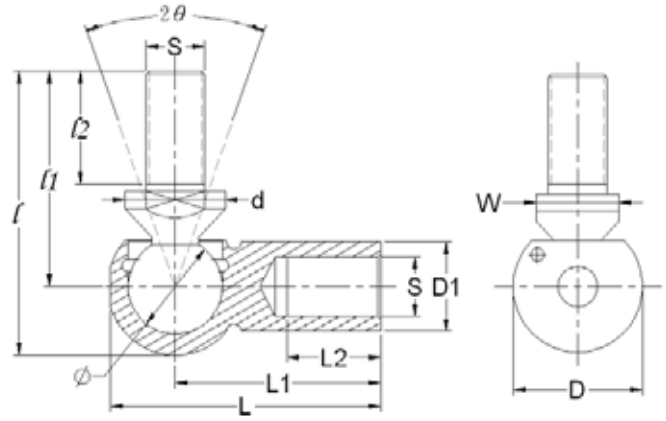
YL Series

材 質

- 主 體：快削鋼SUM43, 表面鍍鉻
- 活動柄：中碳鋼 S45C, 表面鍍鉻
- 卡 簧：彈簧鋼

MATERIALS

- **BODY**: Free Cutting Steel SUM 43, Chrome Plated
- **BALL STUD**: Medium Carbon Steel S45C, Chrome Plated
- **SPRING**: Spring Steel



公 制 尺 寸 / DIMENSIONS IN METRIC mm

型 號 Model No.	外 型 尺 寸 Outline Dimensions			螺 紋 Thread	主 體 尺 寸 Body Dimensions			活 動 柄 尺 寸 Ball Stud Dimensions				旋 角 2θ	重 量 Weight (g)
	L	D	l		S	L1	L2	D1	l1	l2	W		
YL 5 R/L	30	14	29	5x0.8	23	10	8	23	10	10	9	36	15
YL 6 R/L	32.5	15	30.5	6x1.0	25	11.5	10	25	12	12	10	36	25
YL 8 R/L	40	19	38	8x1.25	30.5	14	13	30.5	16	14	13	36	53
YL 10 R/L YL 10 RF/LF	46	22	46.5	10x1.5 10x1.25	35	16	15	35	20	17	16	36	104
YL 12 R/L YL 12 RF/LF	46	22	46.5	12x1.75 12x1.25	35	16	17	35	20	17	16	36	104
YL 14 R/L YL 14 RF/LF	57.5	25	60.5	14x2.0 14x1.5	45	22	19	45	28	22	19	36	220
YL 16 R/L YL 16 RF/LF	57.5	25	60.5	16x2.0 16x1.5	45	22	21	45	28	22	19	36	220

特殊規格客製品 / OEM Products

我們可為客戶生產特殊規格之客製品，以滿足您的需求。

We do OEM products (in any size, shape and design) to meet your needs.



MP 1



MP 2



MP 3



MP 4



MP 5



MP 6



MP 7



MP 8



MP 9



MP 10



MP 11



MP 12

特殊規格客製品 / OEM Products

我們可為客戶生產特殊規格之客製品，以滿足您的需求。

We do OEM products (in any size, shape) to meet your needs.



MP 13



MP 14



MP 15



MP 16



MP 17



MP 18



MP 19



MP 20



MP 21

常用轉換因子

CONVERSION FACTORS

英吋 (Inch) X 25.4 = 公釐 (mm)	公釐 (mm) X 0.03937 = 英吋 (inch)
公斤 (Kgf) X 2.2046 = 英磅 (Lbs)	公斤 (Kgf) X 9.81 = 牛頓 (Newtons)
英磅 (Lbs) X 0.4536 = 公斤 (Kgf)	英磅 (Lbs) X 4.448 = 牛頓 (Newtons)
牛頓 (Newtons) X 0.2248 = 英磅 (Lbs)	

ISO 孔徑誤差表(ISO 286-2), H7

ISO Tolerances for Holes (ISO 286-2), H7

常用孔徑 / Nominal hole sizes(mm)							
大於 Over	3	6	10	18	30	40	50
小於 Inc.	6	10	18	30	40	50	65
u m							
H7	12	15	18	21	25		30
	0	0	0	0	0	0	0

桿端軸承及球面軸承公差(SI_E, SA_E, SI_T, SA_T系列) (GE, GE_C 系列)

Tolerances for rod end bearing(SI_E, SA_E, SI_T, SA_T Series) and spherical bearings(GE, GE_C Series)

內圈 Inner ring (B mm)

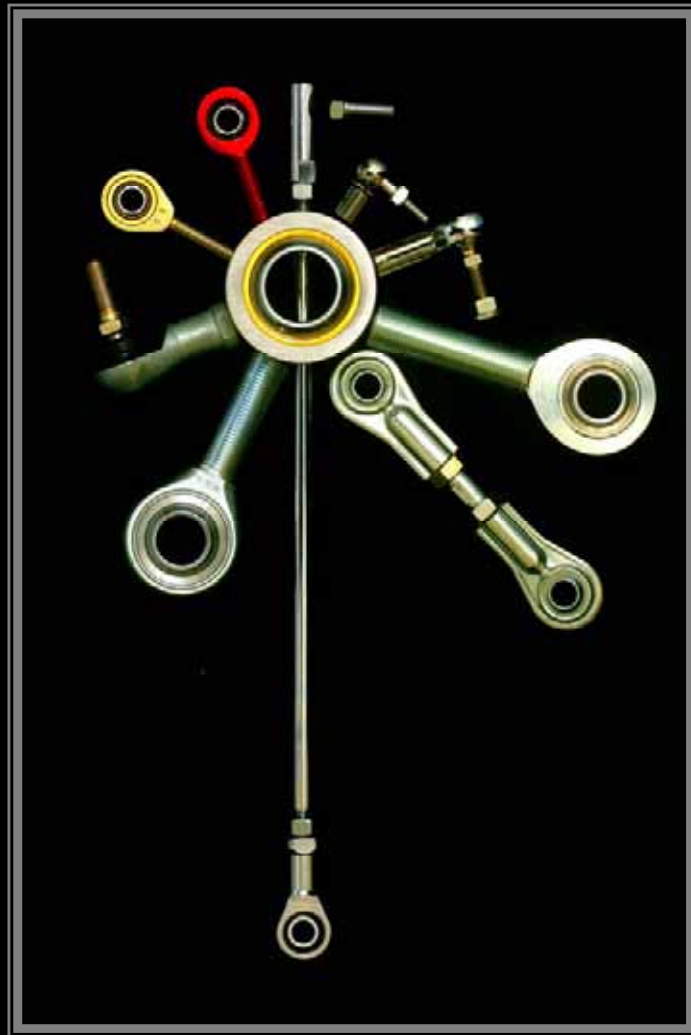
大於 Over	-	18	30	50
小於 Inc.	18	30	50	80
ΔB_{mp} (u m)				
Max.	0	0	0	0
Min.	-8	-10	-12	-15

球面軸承公差 (GE, GE_C 系列)

Tolerances for spherical bearings (GE, GE_C Series)

外圈 Outer ring (D mm)

大於 Over	-	18	30	50	80
小於 Inc.	18	30	50	80	120
ΔD_{mp} (u m)					
Max.	0	0	0	0	0
Min.	-8	-9	-11	-13	-15



S.B. *rod end*

唐立軸承企業股份有限公司

STRUENING BEARINGS CO., LTD.

22154 台北縣汐止市福德工業區南陽街250號

NO. 250 Nanyan St., Sijhih City, Taipei County 22154, Taiwan

TEL: +886-2-86951771

FAX: +886-2-86951770

<http://www.s-b-bearings.com/>

E-mail: sales@s-b-bearings.com



ISO 9001:2000